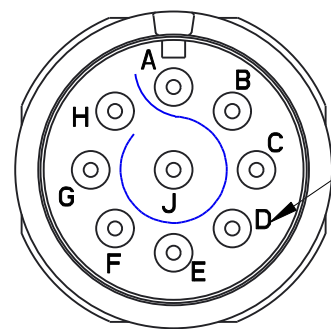
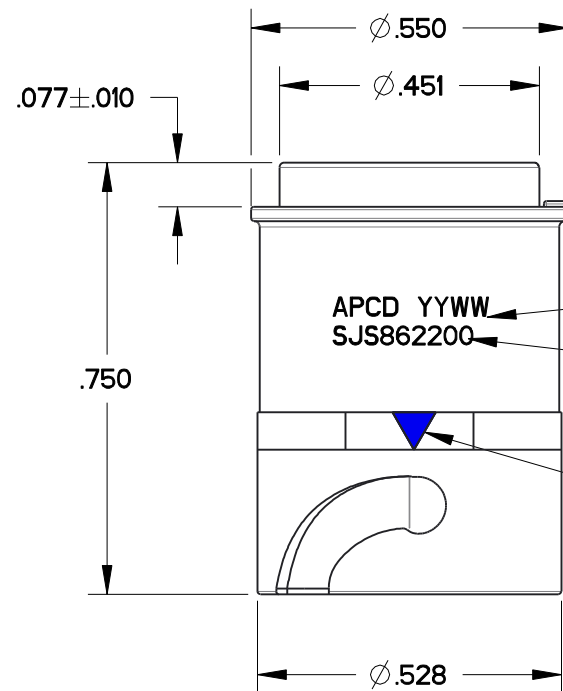
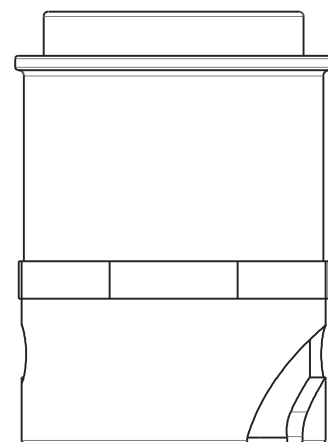


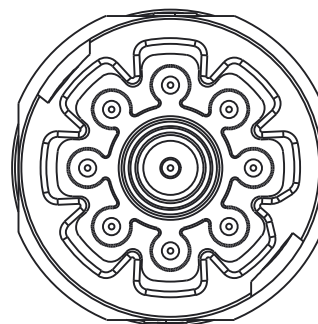
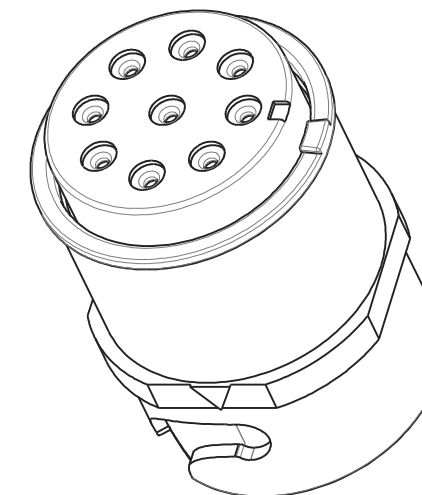
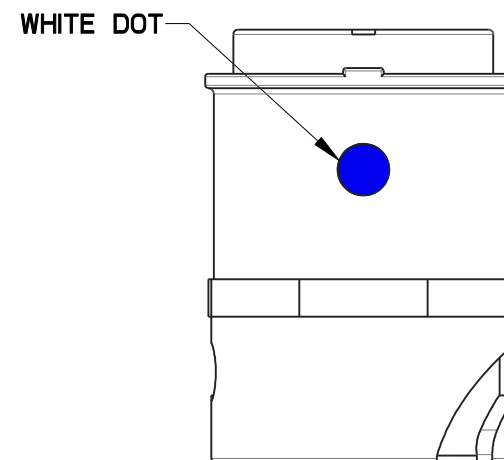
REV	ECN	APP'D
-		



GROMMET MARKING
.04 HIGH CHARACTERS
COLOR: CONTRASTING



APCD YYWW DATE CODE
SJS862200 PART MARKING
HEIGHT: .03
COLOR WHITE
WHITE MARKING
TWO SIDES



- NOTES:
- MATERIALS:
HOUSING: PA6/6, COLOR: BLACK.
CONTACT RETAINER: STAINLESS STEEL.
GROMMET&FACE SEAL: SILICONE RUBBER PER A-A-59588,COLOR: RED
 - MATING CONTACTS: SEE TABLE 1.
 - PART MATES WITH SJS862100/101.
 - EST. WEIGHT: 2.4 GRAMS.
 - SUPPLIED WITH DUST CAP.

APCD P/N	CONTACTS SUPPLIED	PART MARKING
SJS862200	NONE	SJS862200
SJS862201	(9) M39029/58-360	

DIMENSIONS ANSI Y14.5M UNITS: INCHES Pro/E FILE	TOLERANCES .XX ±0.01 .XXX ±0.005 ANGLES ±0.5°	PROJECTION 	Amphenol Pcd SPECIFICATION DRAWING			TITLE SJS, RECEPTACLE 9 POSITION, SIZE 22		
			ENGR Sean.Zeng Apr-19-13 CHKD APPD		SIZE B	DWG NO. SJS862200_CE	REV -	
ORIGINAL	THIS DOCUMENT CONTAINS PROPRIETARY INFORMATION WHICH IS THE CONFIDENTIAL PROPERTY OF AMPHENOL PCD INC., BEVERLY, MA		CODE: 58982	SCALE: 3:1	SHEET 1 OF 1			

SJS862200_CE

SJS862200_CE