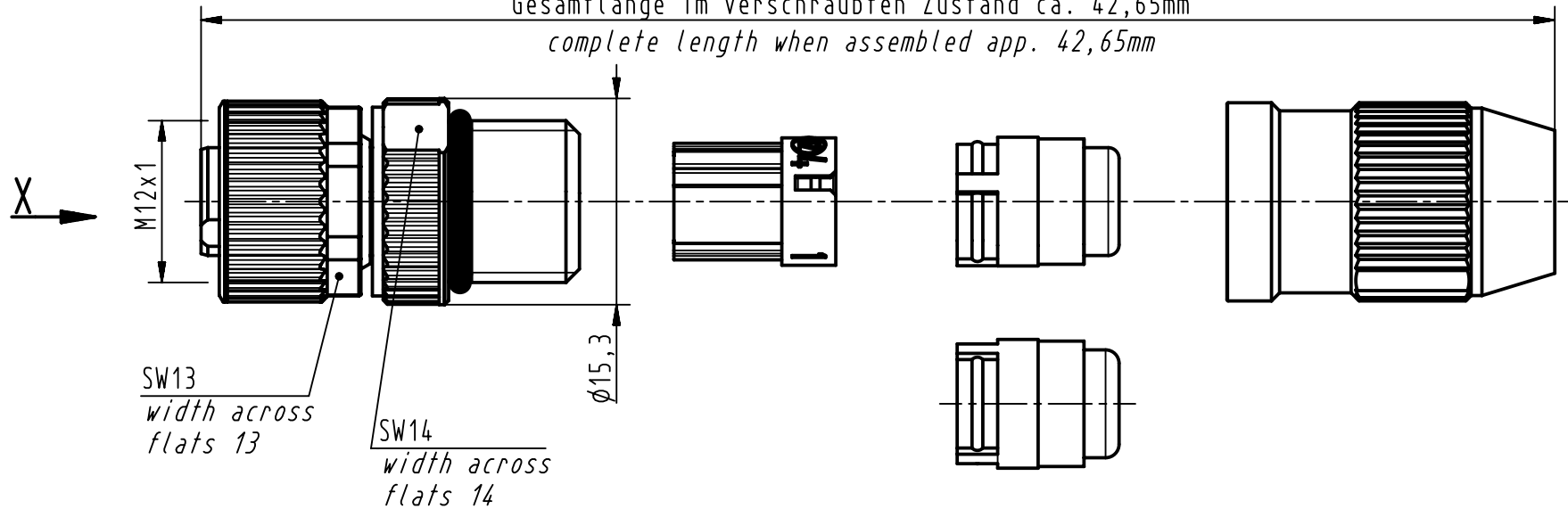


1 2 3 4 5 6

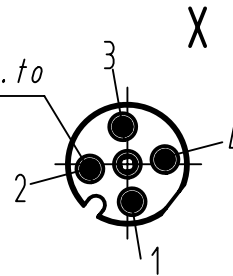
Gesamtlänge im verschraubten Zustand ca. 42,65mm  
 complete length when assembled app. 42,65mm



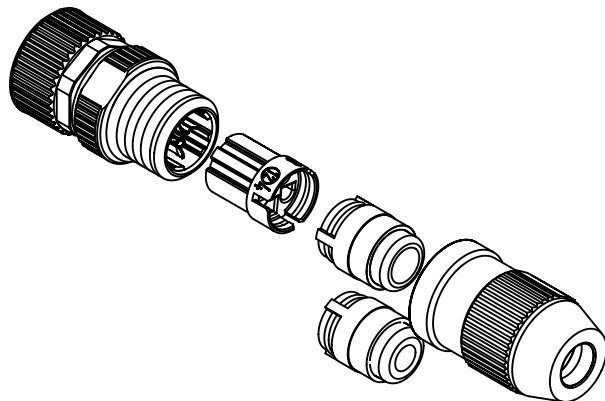
SW13  
width across flats 13

SW14  
width across flats 14

Steckgesicht n.  
Contact face acc. to  
IEC 61076-2-101



Leiterquerschnitt conductor cross section	0,14 - 0,34mm <sup>2</sup> AWG26 - AWG22
Kabeldurchmesser cable outside diameter	2,9 - 5,1mm



	All rights reserved Department EC PD - DE	All Dimensions in mm Original Size DIN A4		Scale 2:1	Free size tol.		Ref. Sub.	
		Created by DYCKC	Inspected by WELLMANN	Standardisation HOFFMANN	Date 2013-01-22	State Final Release		
HARTING Electronics GmbH D-32339 Espelkamp		Title HARAX M12-S female 4-pole			Doc-Key / ECM-Nr. 100190976/UGD/003/D 5300000857470		Rev. D	Page 1/1
		Type TB	Number 21031112405					