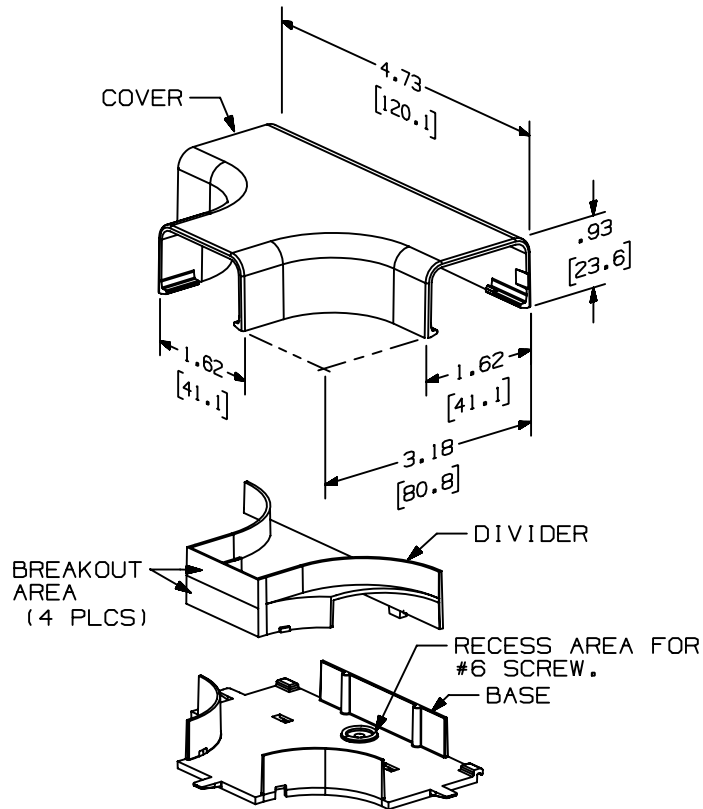


THIS COPY IS PROVIDED ON A RESTRICTED BASIS AND IS NOT TO BE USED IN ANY WAY DETRIMENTAL TO THE INTERESTS OF PANDUIT CORP.



PANDUIT PART NO.	WEIGHT
TFXD10	12.7 LB/100 PCS (5760 g/100 PCS)

NOTES:



- SEE CURRENT CATALOG FOR ADDITIONAL PART NUMBER SUFFIXES TO INDICATE COLOR AND OR PACKAGE QUANTITY.
- THIS PRODUCT IS INTENDED TO BE USED WITH PANDUIT TYPE LD2P10 RACEWAY.
- THE DIVIDER IS INTENDED FOR OPTION TO SEPARATE AND/OR CROSS OVER POWER AND COMMUNICATIONS FOR PLACEMENT PURPOSES IN RACEWAY.
- NOMINAL WALL THICKNESSES:
BASE = .090 [2.3]
DIVIDER = .055 [1.4]
COVER = .070 [1.8]
- THIS PRODUCT IS FEATURED WITH THE TIA/EIA COMPLIANT BEND RADIUS.
- DIMENSIONS IN PARENTHESIS ARE IN METRIC.

CAD FILENAME/LAYERS D35013BH_LD_TFXD10_01.PRT

PANDUIT CORP. TINLEY PARK, ILLINOIS
TEE FITTING BASE, DIVIDER, AND COVER (TFXD10)
CUSTOMER DRAWING

UNLESS OTHERWISE SPECIFIED, DIMENSIONAL TOLERANCES ARE:
(.X) ± (.XXX) ±.015 (.4)
(.XX) ±.03 (.8) ANGLES ±

UNLESS OTHERWISE SPECIFIED, ALL DIMENSIONS ARE GIVEN IN INCHES, THIRD ANGLE PROJECTION.

REV	DATE	BY	CHK	DESCRIPTION	ECN	CHK	CUST	SUP
I	05-10-04	JHEP	RGRO	A. FIXED CLERICAL ERROR	35013-08	RGRO	RGRO	
R	02-14-95	DW	CEF	RELEASED TO PRODUCTION	35013-08	CEF	CEF	

DRAWN BY DW	MAT'L: PVC	SCALE NONE
DATE 02-14-95		DRAWING NO. 35013-08
CHECKED BY CEF		DWG A SIZE