

Gecko Screw-Lok Connectors

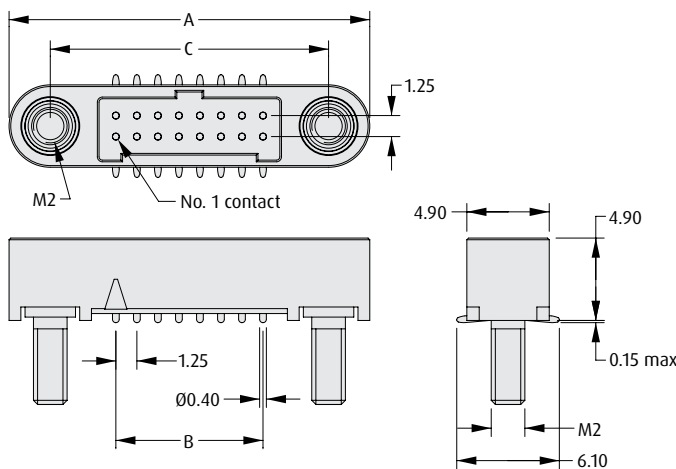
GECKO SCREW-LOK

Male Vertical Surface Mount

- ❖ Stainless steel screw fixing to mate with applicable female connector.
- ❖ Order nuts for board-mount separately - see bottom of page.
- ❖ 2A current capacity, resists high vibration and shock.
- ❖ Withstands extremes of temperature: -65°C to +150°C.

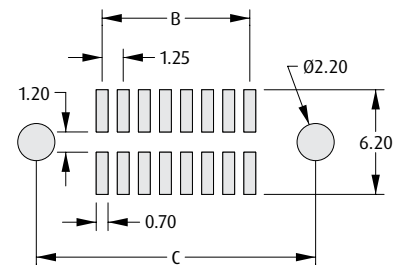


SURFACE MOUNT



CALCULATION

A	$B + 12.7$
B	$0.625 \times (\text{Total No. of contacts} - 2)$
C	$B + 7.8$



Recommended PC Board Pattern

HOW TO ORDER

G125 - M S1 XX 05 M2 X

SERIES CODE

TYPE

S1 Surface Mount

TOTAL NO. OF CONTACTS

06, 10, 12, 16

PACKAGING

R	Tape & Reeled
P	Loose

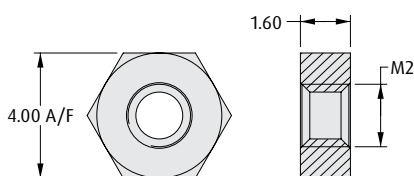
FINISH

05 Gold

REQUIRED HARDWARE

Order separately from connector

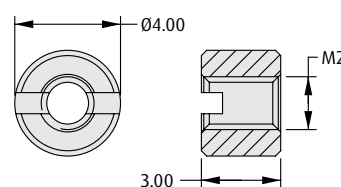
Hexagonal Board Mount Nut



ORDER CODE

G125-4500000B

Slotted Board Mount Nut



ORDER CODE

G125-4510000B

All dimensions in mm.

Patent Published