

## SUMMARY

### # Wires

Low	4
High	0
Coax	0
Triax	0
Quad	0
Fiber	0
Fluidic	0



*Image is for illustrative purpose only*

### Download

[Request a quote](#)

[Catalog](#)

Series	1W
Termination type	Male solder
IP rating	68
Cable Ø	3.60 - 4.00 mm
Matching parts	EVG.1W.304.CLL
Status	
Alternative part	

## TECHNICAL DETAILS

### Mechanics

Shell Style/Model	FV_/Z*: Straight plug, cable collet and nut for fitting a bend relief
Keying	
Housing Material	Brass (chrome plated) shell and collet nut, nickel plated brass latch sleeve and mid pieces
Cable Fixing	C40: 3.6 - 4 mm
Variant	Z : Nut for fitting a bend relief

### Performance

Configuration	
Insulator	
Rated Current	10 Amps

### Specifications

Contact Type:	Solder
Max. Matings:	5000
Contact Dia.:	0.9 mm (0.035in)
Bucket Dia.:	0.8 mm (0.031in)
Max. Solid Conductor:	0.34 mm <sup>2</sup> (AWG 22)
Max. Stranded Conductor:	0.34 mm <sup>2</sup> (AWG 22)

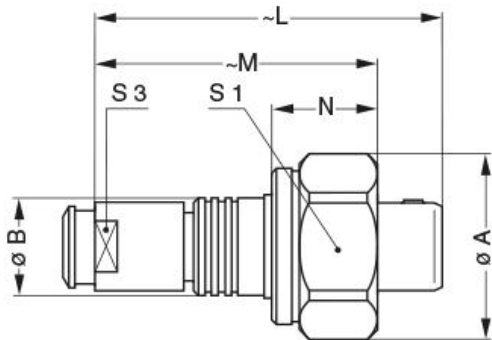
R (max): 4.8 mOhm  
 Vtest (contact-contact): 1350 V (AC) 1900 V (DC)  
 Vtest (contact-shell): 1450 V (AC) 2100 V (DC)

## Others

Pressure: 30 bars  
 IP Rating: 68

# DRAWINGS

## Draws



## Dimensions

	A	B	L	M	N	S1	S3
mm.	19.3	11	43.7	35.5	14	18	9
in.	0,76	0,43	1,72	1,40	0,55	0,71	0,35

# RECOMMENDED BY LEMO

## Tools

None

## Cables

040 080	PVC	Black	
040 086	PVC	Blue	
040 140	PVC	Black	
040 240	PTFE	White	

