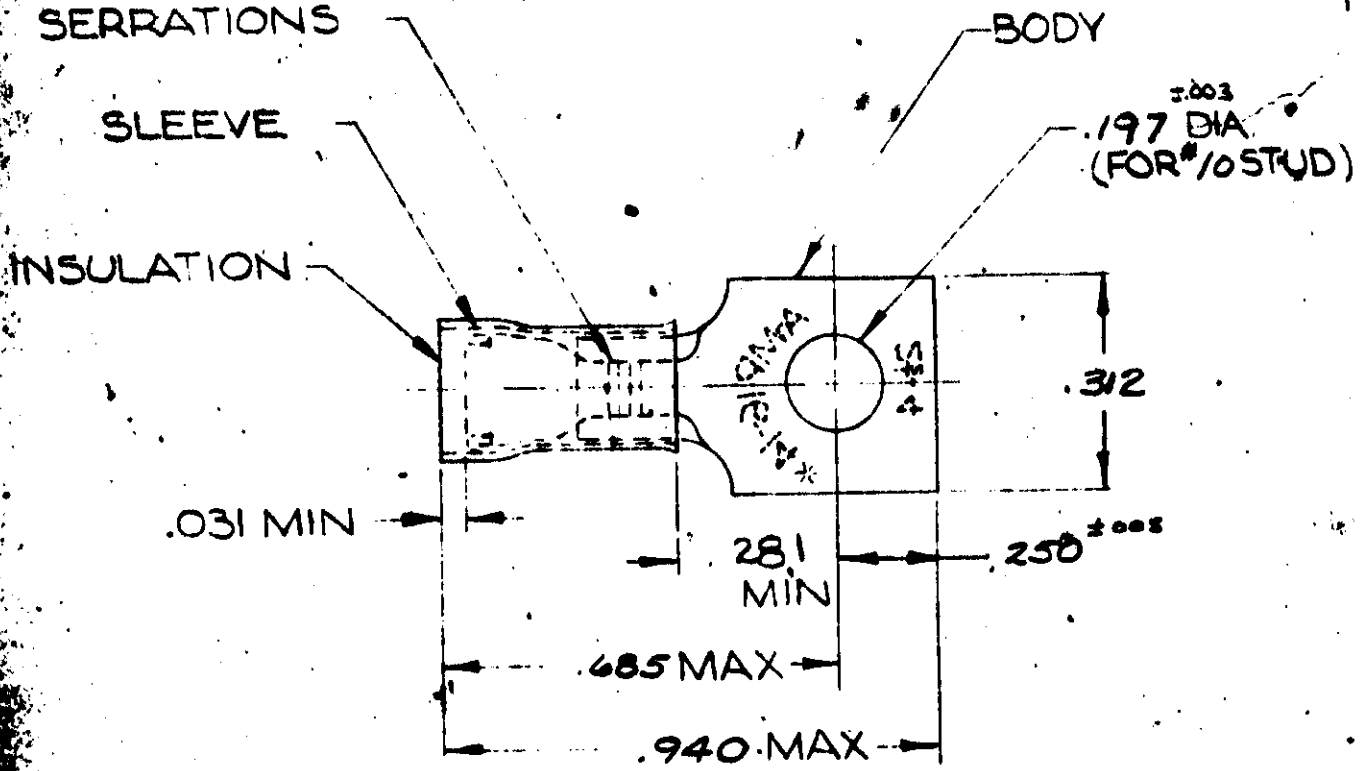


INCORPORATED. ALL  
 AMP PRODUCTS  
 BY PATENTS AND/OR  
 PENDING.

REVISIONS

LTR	DESCRIPTION	DATE	APPROVED
C	REDRAWN & REVISED P-6079	3-12-70	FCY
D	REVISED F-621	7R 8-23-73	FW
E	REV PER G-4732	JT 7/26/88	JF



TONGUE MATERIAL THK .031  
 FOR .115 TO .170 WIRE INS. DIA

NOTE:  
 1. STAMPING MAY BE ON TOP OR BOTTOM.

WIRE TERMINAL	324603	INSULATION: NYLON COLOR: BLUE SLEEVE: COPPER (QQ-C-576) BODY: COPPER (QQ-C-576) TIN PL (MIL-T-10727)
DESCRIPTION	PART NO.	MATERIAL & FINISH
UNLESS OTHERWISE SPECIFIED DIMENSIONS ARE IN INCHES TOLERANCES ON: DECIMALS ±.008 ANGLES ± 5°	CONTRACT NO. 4	AMP INCORPORATED HARRISBURG, PENNSYLVANIA
MATERIAL	DR. 3-5-70 CHK. 3-12-70 APPD. 3-13-70 REL. 3-13-70	NAME: WIRE TERMINAL P.D.G. - RECTANGULAR TONGUE WIRE SIZE: 16-14
TABLE	DSGN APPD OTHER APPD	SIZE: A CODE IDENT NO.: 00779 NUMBER: 324603
	PATENTS	SMC