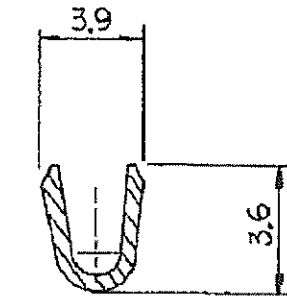
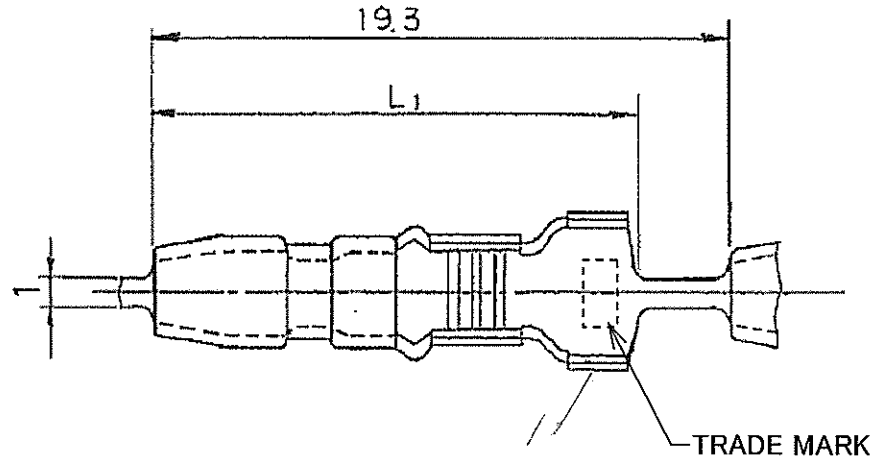
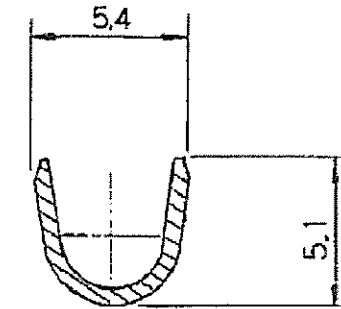


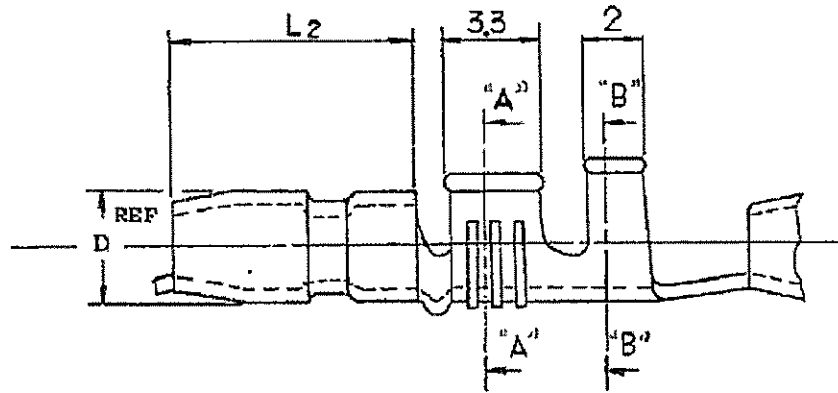
C-170002



SECT. A-A



SECT. B-B



NOTE

- △ THESE ITEMS ARE FOR USE OTHER THAN IN JAPAN.
- ② GENERAL TOLERANCES; ±0.4
- ③ OBSOLETE PARTS: OBSOLETE CIS STREAMLINING PER D.RENAUD/D.SINISI

注記

- △ 海外向け製品。
- ② 一般公差; ±0.4

| QTY/REEL | PROD SPEC NO. | MATERIAL | FINISH |
|----------|---------------|----------|----------|
| 7000 | 108-5003 | BRASS | PRE-TIN |
| 15000 | 108-5003 | PHOS-BZ | POST-TIN |
| 15000 | -5003 | | |
| 15000 | -5004 | | POST-TIN |
| 15000 | -5004 | PHOS-BZ | |
| 20000 | -5003 | BRASS | |
| 25000 | -5004 | | |
| 25000 | -5003 | | |
| 20000 | -5003 | | POST-TIN |
| 20000 | -5004 | | POST-TIN |
| 20000 | -5004 | | |
| 7000 | -5004 | | |
| 5000 | -5003 | | |
| 7000 | -5003 | | POST-TIN |
| 7000 | 108-5004 | BRASS | POST-TIN |

| | |
|----------|---|
| OBSOLETE | △ |
| OBSOLETE | △ |
| OBSOLETE | △ |
| OBSOLETE | △ |

| | | | | | | | | | | |
|----------------------|--|------------------------|--|-----------|--------|-----------|----------|---------------|----------|--------|
| PART NO. 170002-2 | | LOOSE PCS NO. 170020-1 | | LI DIM | L2 DIM | D DIM | QTY/REEL | PROD SPEC NO. | MATERIAL | FINISH |
| WIRE RANGE | | INSULATION DIA. | | NAME | | SHUR PLUG | | | | |
| 25-27 AWG #14 | | 2.5-3.8 mm | | シエアプラグ | | SHUR PLUG | | | | |
| MATERIAL | | FINISH | | SIZE | | LOC | NO. | | | |
| SEE TABLE | | SEE TABLE | | C | | J | C-170002 | | | |
| DR. H. Reten 2/11/85 | | DE | | REV. 2/95 | | REV. R2 | | SHEET 1-1 | | |

| | | | | |
|-----|---------------------------|-----|------|---------|
| R2 | REVISED PER ECO-11-005030 | RK | HMR | 22MAR11 |
| LTR | REVISION RECORD | DR. | CHK. | DATE |