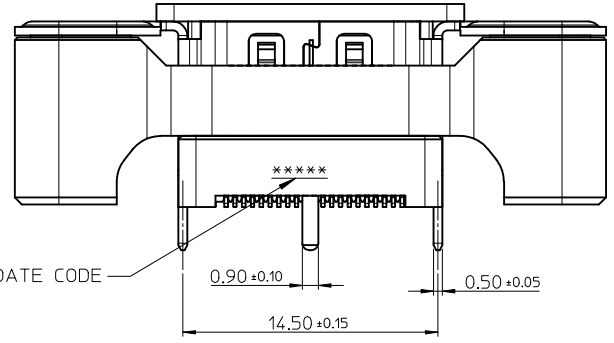


NOTES:

1. MATERIAL:  
HOUSING: GLASS FILLED HEAT RESISTED RESIN, UL94V-0.  
TERMINAL: COPPER ALLOY.  
SHELL: COPPER ALLOY.
2. PLATING:  
TERMINAL:  
CONTACT AREA:  
  - (a)GOLD FLASH PLATING,
  - (b)0.38 MICROMETER MIN.GOLD PLATING,
  - (c)0.76 MICROMETER MIN.GOLD PLATING,
 SOLDER AREA: 1 MICROMETER MIN. MATTE TIN PLATING,  
 UNDERPLATE: 1 MICROMETER MIN. NICKEL PLATING OVERALL.  
 SHELL:  
 SOLDER AREA: 1 MICROMETER MIN. MATTE TIN PLATING,  
 UNDERPLATE: 1 MICROMETER MIN. NICKEL PLATING OVERALL.
3. PRODUCT SPECIFICATION REFER TO PS-48307-901.
4. PACKAGE REFER TO PK-48307-722.
5. COPLANARITY OF SOLDER TAIL TO BE 0.1 MAX..
6. THE PART CAN COMPLIANT TO ROHS DIRECTIVE 2002/95/EC AND ELV DIRECTIVE 2000/53/EC.



3	48307-7032	(c)
2	48307-7022	(b)
1	48307-7012	(a)
ITEM NO	PART NO	PLATING SOLUTION

REVISED IEC NO: SH2010-0272 DRW:KWEI CHK:DZHANG APPR:XJ.SONG	2010/01/19 2010/01/20 2010/01/25	QUALITY SYMBOLS ▽=0 ◻=0	GENERAL TOLERANCES (UNLESS SPECIFIED)		DIMENSION STYLE MM ONLY	SCALE 3.5:1	DESIGN UNITS METRIC	THIRD ANGLE PROJECTION	
	4 PLACES ± --- ± --- 3 PLACES ± --- ± --- 2 PLACES ± --- ± --- 1 PLACE ± --- ± ---		DRAWN BY KLAUS WEI	DATE 2008/10/23	TITLE SALES DRAWING VERTICAL HDMI RECEPT. WITH SUPPORT				
	ANGULAR ± --- °		CHECKED BY ROST ZHANG	DATE 2008/10/23	MOLEX INCORPORATED				
	DRAFT WHERE APPLICABLE MUST REMAIN WITHIN DIMENSIONS		APPROVED BY HARVEY WANG	DATE 2008/10/23	MATERIAL NO. 48307-70*2	DOCUMENT NO. SD-48307-722	SHEET NO. 1 OF 2		

10 9 8 7 6 5 4 3 2 1

F

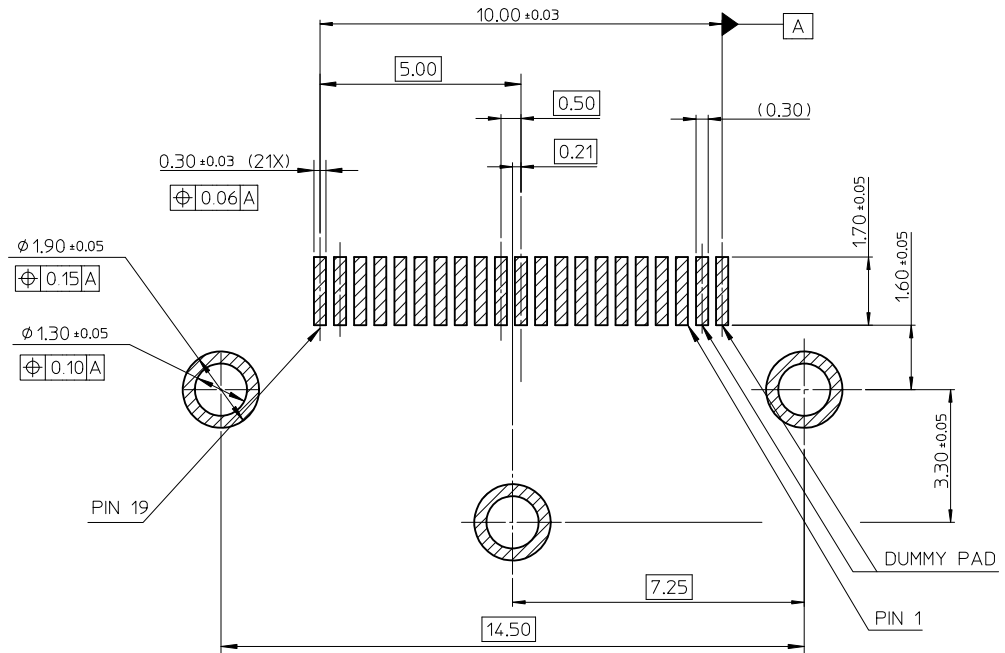
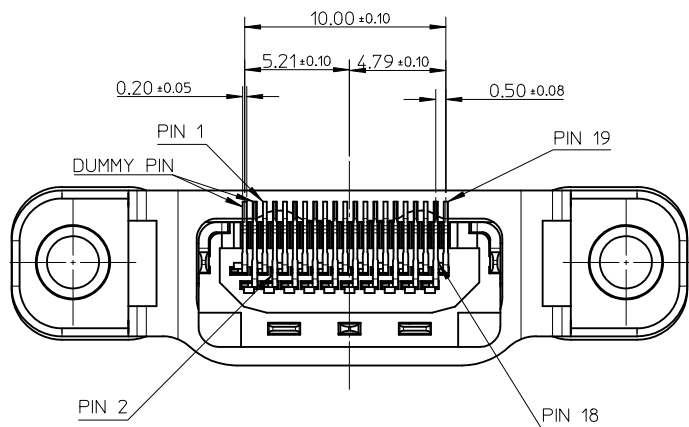
E

D

C

B

A



RECOMMENDED PCB LAYOUT  
(PCB THICKNESS IS 1.6mm)

REVISED EC NO: SH2010-0272 DRW: KWEI CHK: RZhang APPR: XJ.SONG	2010/01/19 2010/01/20 2010/01/25	DESCRIPTION REV	QUALITY SYMBOLS ▽=0 ◻=0	GENERAL TOLERANCES (UNLESS SPECIFIED) mm INCH 4 PLACES ± --- ± --- 3 PLACES ± --- ± --- 2 PLACES ± --- ± --- 1 PLACE ± --- ± --- ANGULAR ± ---°	DIMENSION STYLE MM ONLY DRAWN BY: KLAUS WEI CHECKED BY: ROST ZHANG APPROVED BY: HARVEY WANG DATE: 2008/10/23 DATE: 2008/10/23 DATE: 2008/10/23	SCALE 4:1	DESIGN UNITS METRIC	THIRD ANGLE PROJECTION	SALES DRAWING VERTICAL HDMI RECEPT. WITH SUPPORT		MOLEX INCORPORATED
	DRAFT WHERE APPLICABLE MUST REMAIN WITHIN DIMENSIONS				MATERIAL NO. SEE SHEET 1	TITLE SALES DRAWING VERTICAL HDMI RECEPT. WITH SUPPORT	DOCUMENT NO. SD-48307-722	SHEET NO. 2 OF 2			
	THIS DRAWING CONTAINS INFORMATION THAT IS PROPRIETARY TO MOLEX INCORPORATED AND SHOULD NOT BE USED WITHOUT WRITTEN PERMISSION										
	SIZE: A3										

9 8 7 6 5 4 3 2 1