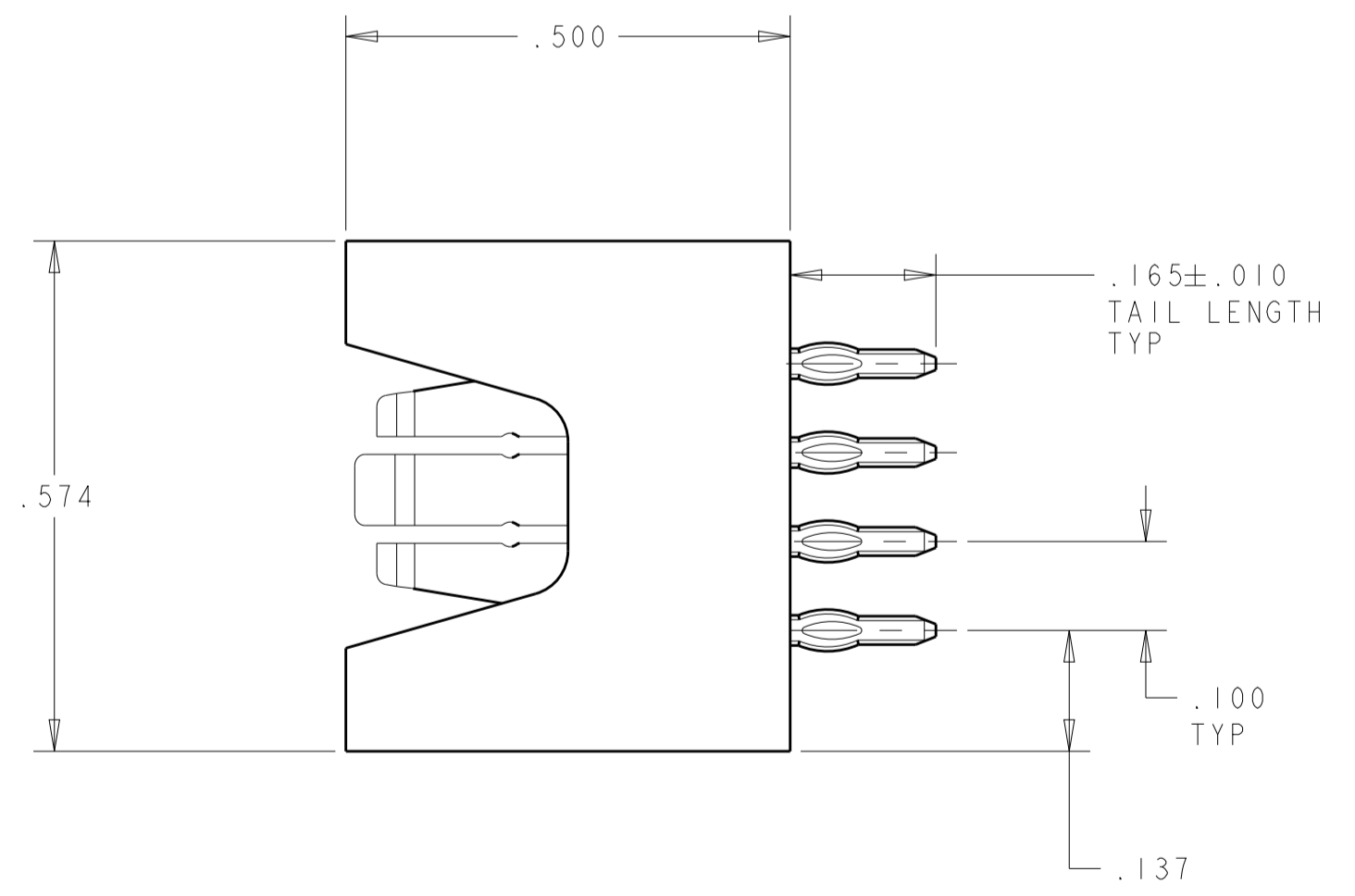
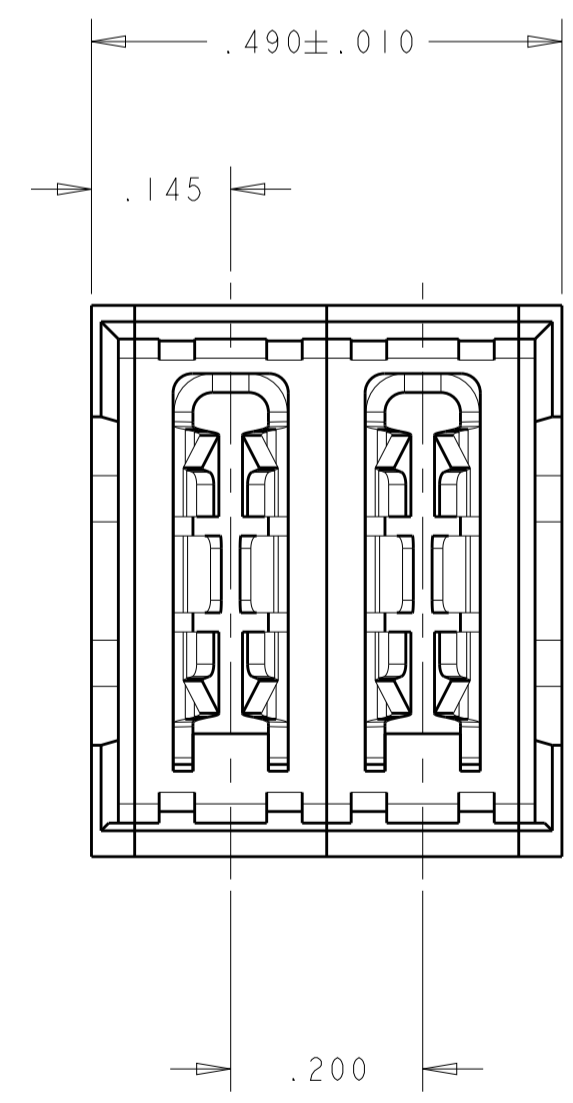
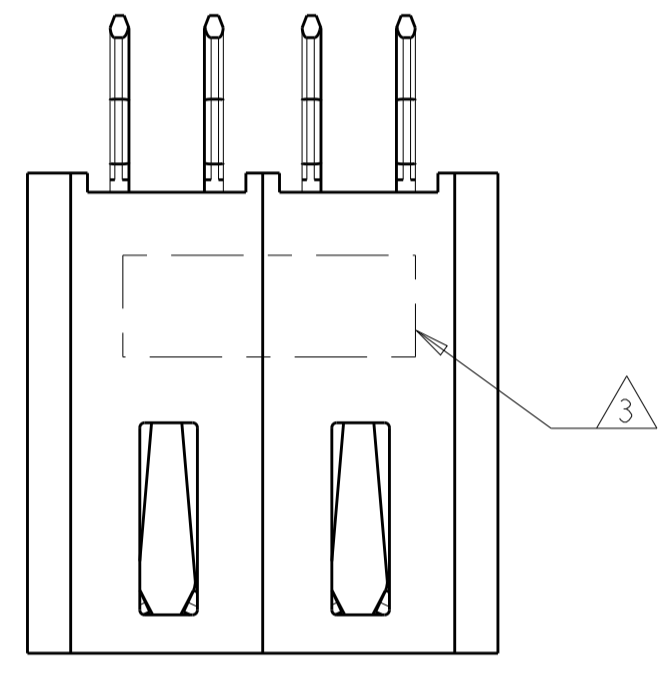
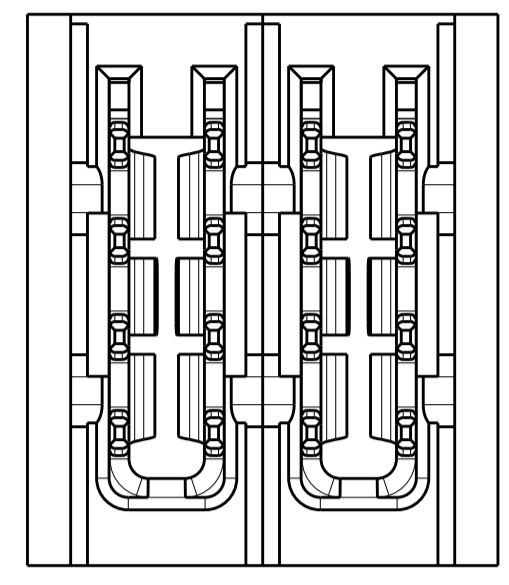


LOC		DIST		REVISIONS			
ES		00		REV	DATE	BY	APPV
A				DESIGN INITIAL	26SEP2011	ML	SZ
A1				ADDED NEW DASH NUMBER -2	30AUG2012	CZ	SZ
A2				REV PER ECR-12-015720	06SEP2012	CZ	SZ

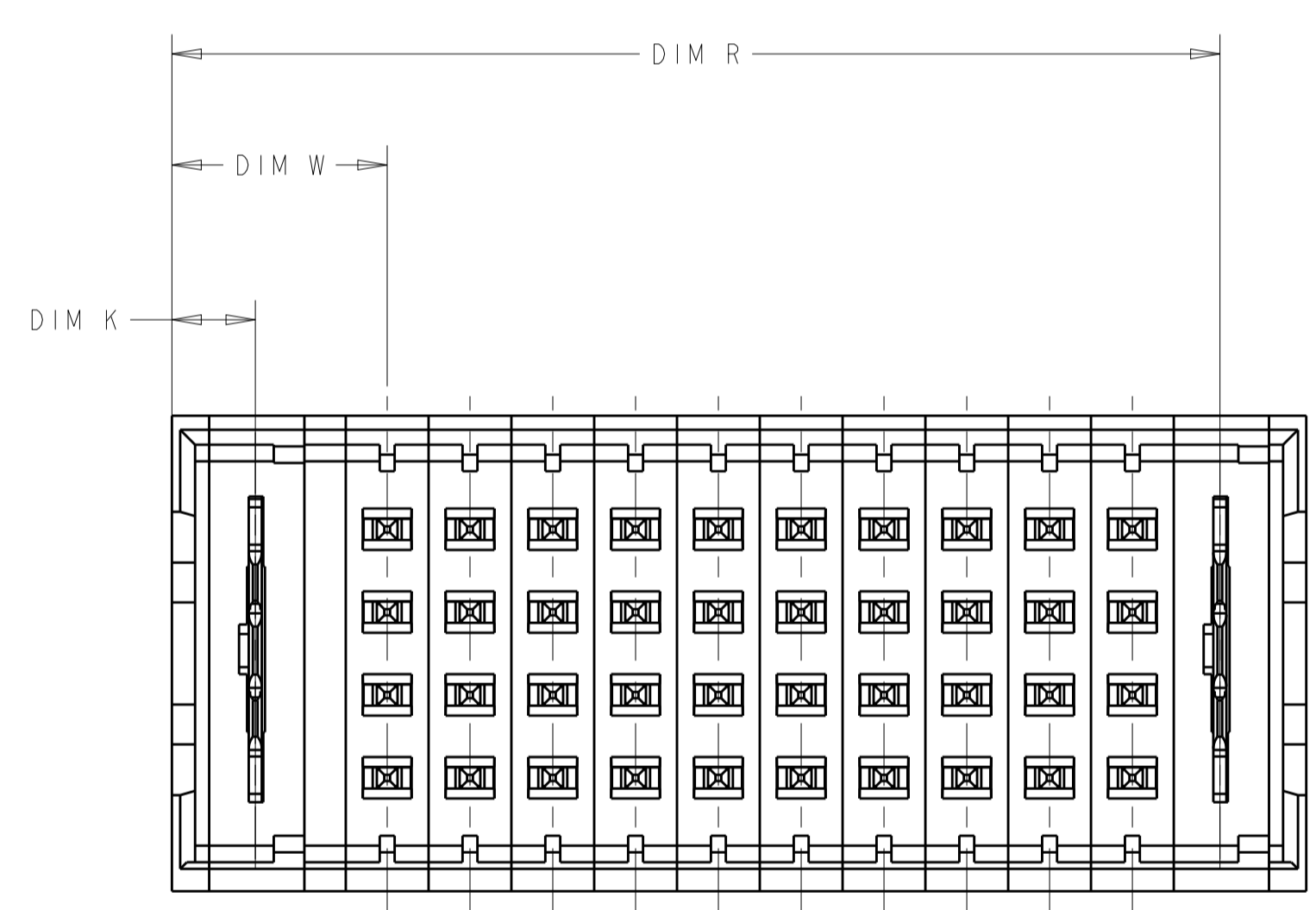
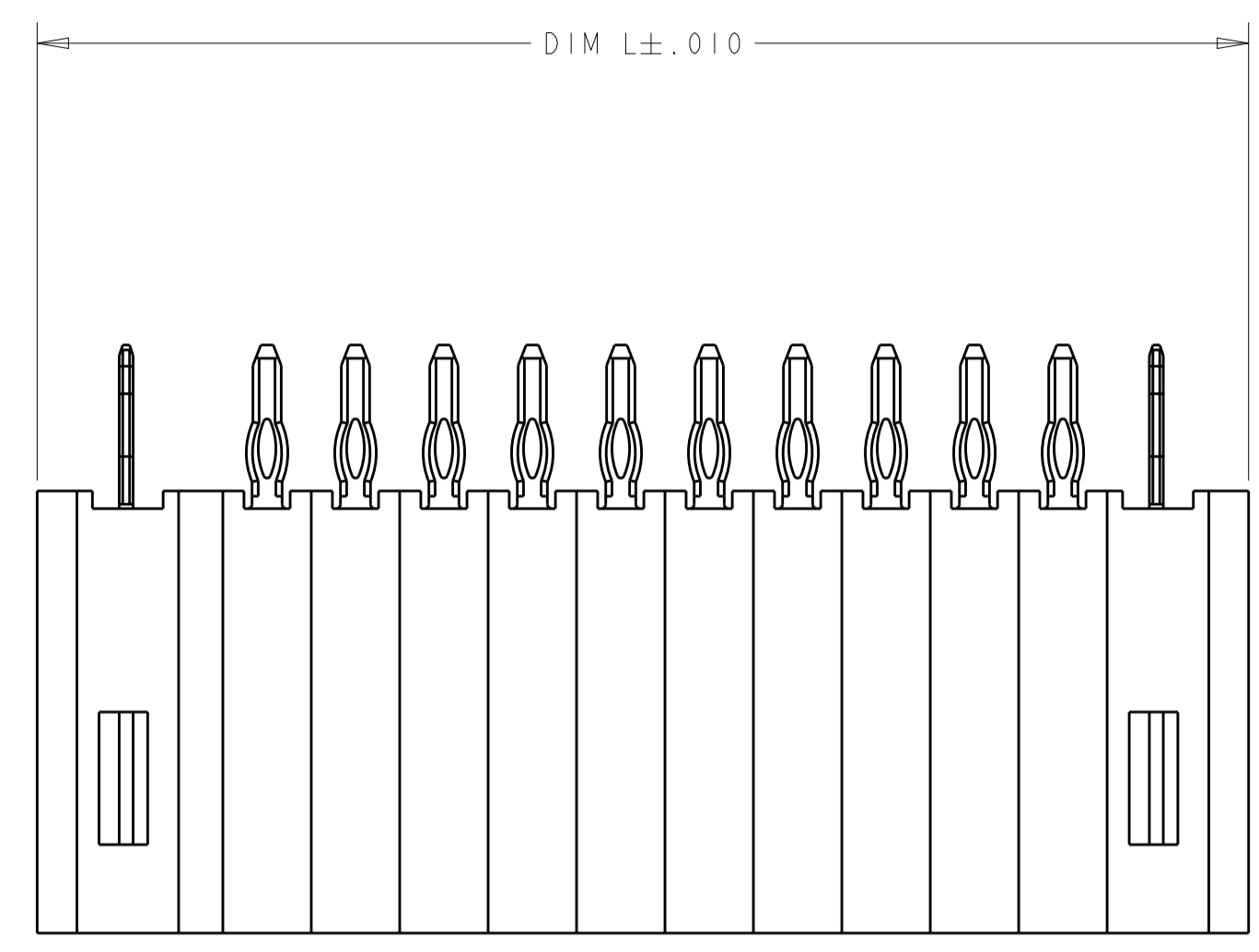


- 1 HEADER HOUSING: THERMO PLASTIC, BLACK, UL94 V-0; CONTACTS AND RETENTION CLIPS: COPPER ALLOY.
- 2 CONTACT FINISHE: CONFORMS TO THE REQUIREMENTS OF TE CONNECTIVITY PRODUCT SPECIFICATION 108-2292 ON THE MATING INTERFACE, TIN AT PCB INTERFACE
- 3 "AMP", PART NUMBER AND DATE CODE MARKED IN THIS AREA. PARTS UNDER 2.50 LONG MAY BE MARKED ON BOTH SIDES.
- 4 DATUM AND BASIC DIMENSIONS ESTABLISHED BY CUSTOMER.
- 5 PCB - ALL HOLE DIAMETERS ARE FINISHED HOLE SIZES.
- 6 A SEATING TOOL IS REQUIRED TO SEAT THE HEADER ON THE P.C. BOARD. PLEASE REFER TO THE 114-13038 APPLICATION SPEC.
- 7 MECHANICAL CONNECTOR KEEP OUT ZONE.
- 8 FOR CONFRIGURATION LP/S/LP, DIMENSIONS PLEASE SEE PAGE 2.

1.2675	.260	-	.1025	1.370	ILP + 40S + ILP	6450829-2 / 8
-	-	.200	.145	.490	2HDP	6450829-1
DIM R	DIM W	DIM S	DIM K	DIM L	DESCRIPTION	PART NUMBER

THIS DRAWING IS A CONTROLLED DOCUMENT.		DWG: MAC.LIU 26SEP2011 CHK: S.ZHAO 26SEP2011		TE Connectivity NAME: VERTICAL HEADER W/O END MODULES PRESS FIT, MULTI-BEAM XLE	
DIMENSIONS: INCHES		TOLERANCES UNLESS OTHERWISE SPECIFIED:			
0 PLC ±. 1 PLC ±.01 2 PLC ±.01 3 PLC ±.005 4 PLC ±.0020 ANGLES ±.0°		FINISH: 2		MATERIAL: 1 CUSTOMER DRAWING SCALE: 5:1 SHEET 1 OF 3 REV: A2	

LOC	DIST	REVISIONS					
		P	LTN	DESCRIPTION	DATE	DWN	APVD
ES	00	-	-	SEE SHEET 1	-	-	-



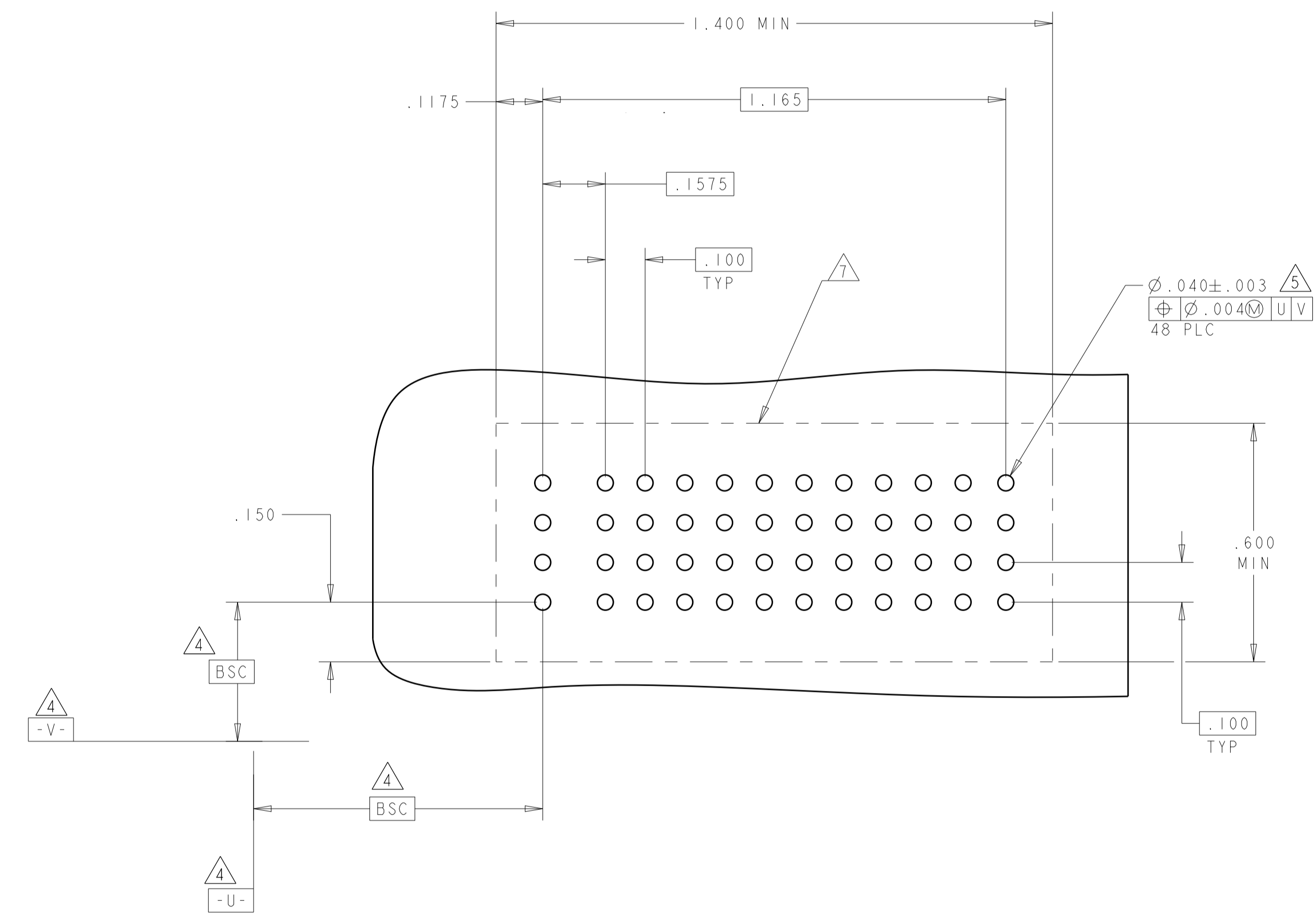
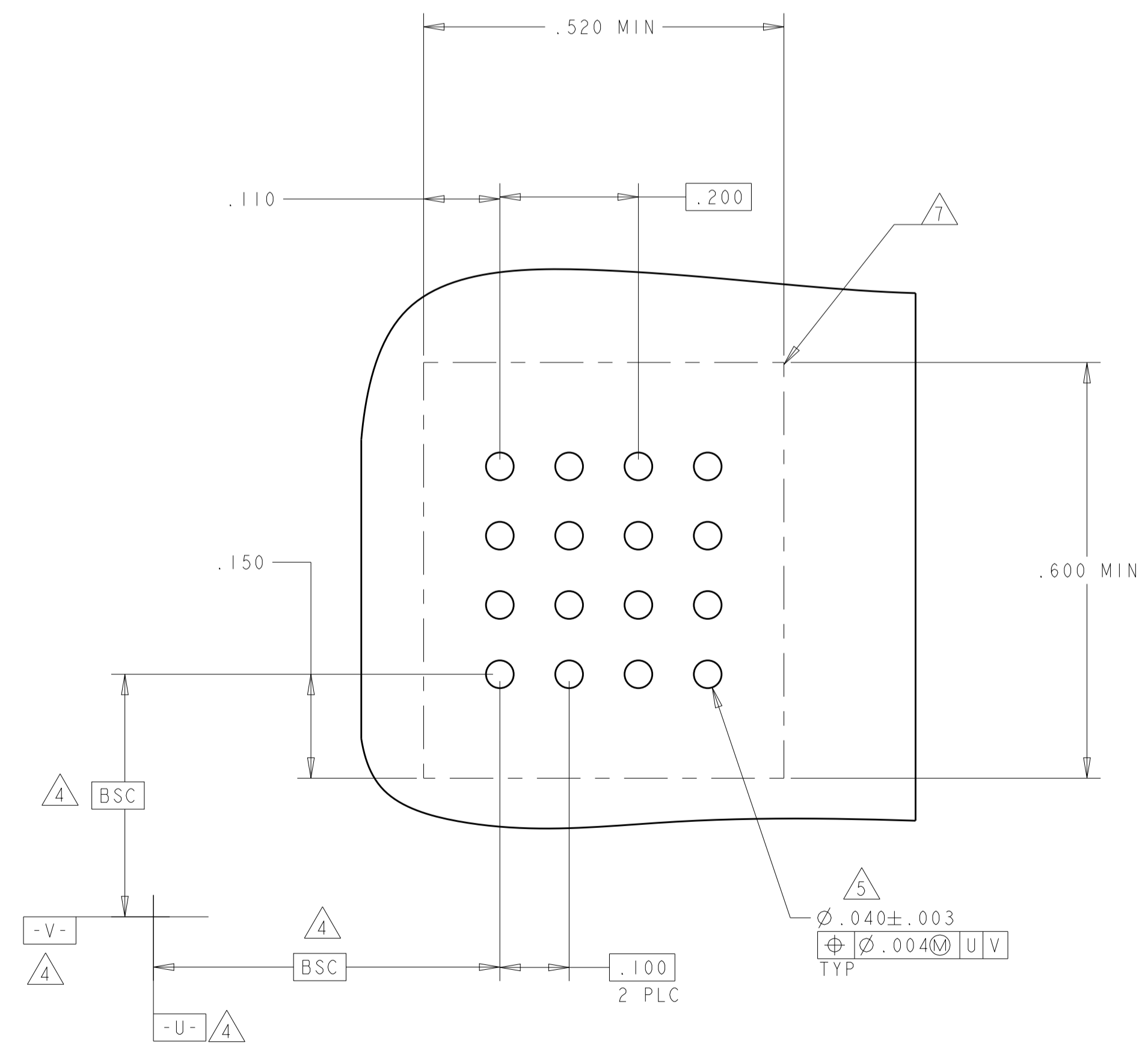
6450829-2 VIEW
 FOR CONFIGURATION "LP/S/LP",
 OTHER DIMENSIONS PLEASE REFER TO PAGE 1

THIS DRAWING IS A CONTROLLED DOCUMENT.		DWN MAC LIU 26SEP2011	
DIMENSIONS: INCHES		CHK S. ZHAO 26SEP2011	
TOLERANCES UNLESS OTHERWISE SPECIFIED: 0 PLC ±. 1 PLC ±.01 2 PLC ±.01 3 PLC ±.005 4 PLC ±.0020 ANGLES ±2°		APVD S. ZHAO	NAME VERTICAL HEADER W/O END MODULES PRESS FIT, MULTI-BEAM XLE
		PRODUCT SPEC 108-2292	RESTRICTED TO
MATERIAL		APPLICATION SPEC 114-13251	SIZE A100779
FINISH		WEIGHT	CAGE CODE 6450829
CUSTOMER DRAWING		SCALE 5:1	SHEET 2 OF 3
		REV A2	

LOC	DIST	REVISIONS			
P	LTN	DESCRIPTION	DATE	DMN	APVD
ES	00	SEE SHEET 1			

PART NUMBER	ROWS	POWER	
		P1	P2
6450829-1	D	VM	VM
	C		
	B		
	A		
2HDP			

PART NUMBER	ROWS	SIGNAL										LOW POWER	
		LP1										LP2	
6450829-2	D	LZ	EV	EV	EV	EV	EV	EV	EV	EV	EV	EV	LZ
	C		EV	EV	EV	EV	EV	EV	EV	EV	EV		
	B		EV	EV	EV	EV	EV	EV	EV	EV	EV		
	A		EV	EV	EV	EV	EV	EV	EV	EV	EV		
ILP + 40S + 1LP													



LOW POWER CONTACT	LZ
SIGNAL CONTACT MLBF	ES
SIGNAL CONTACT STD	EV
POWER CONTACT	VM
DESCRIPTION	CODE

THIS DRAWING IS A CONTROLLED DOCUMENT.

DIMENSIONS: INCHES 	TOLERANCES UNLESS OTHERWISE SPECIFIED: 0 PLC ±. 1 PLC ±.01 2 PLC ±.01 3 PLC ±.005 4 PLC ±.0020 ANGLES ±.2° FINISH	DWG: MAC L1U 26SEP2011 CHK: S. ZHAO 26SEP2011 APVD: S. ZHAO NAME: VERTICAL HEADER W/O END MODULES PRESS FIT, MULTI-BEAM XLE PRODUCT SPEC: 108-2292 APPLICATION SPEC: 114-13251 WEIGHT: A100779 CUSTOMER DRAWING	SCALE: 5:1 SHEET: 3 OF 3 REV: A2
---------------------------	--	--	--