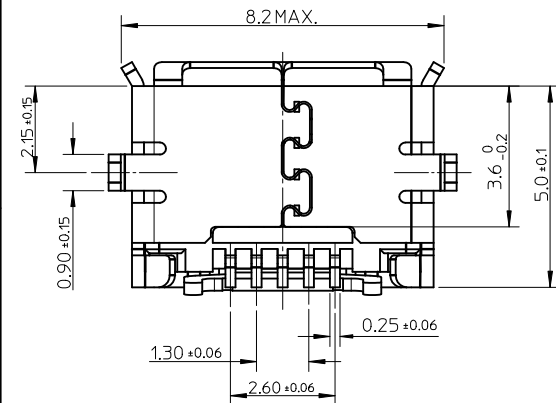
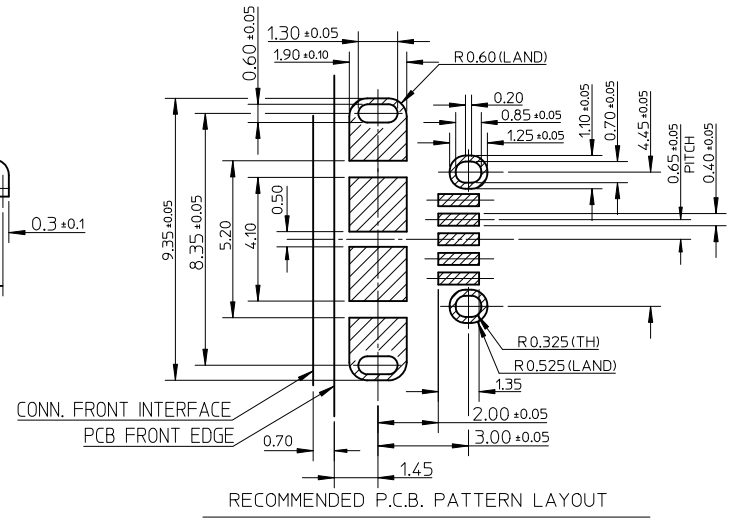
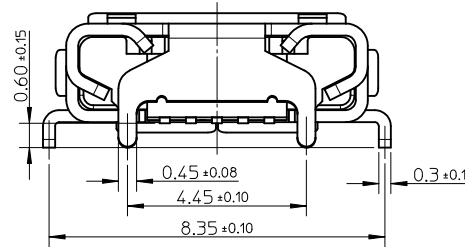
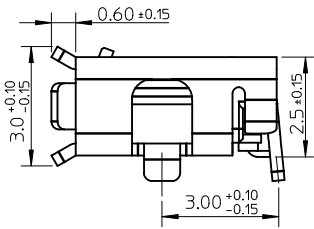
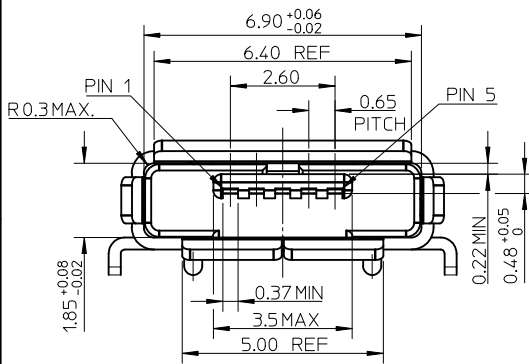


NOTES:

- MATERIAL:
HOUSING: LCP, BLACK, UL94V-0;
TERMINAL: COPPER ALLOY, THICKNESS: 0.15mm,
SHELL: STAINLESS STEEL, THICKNESS: 0.30mm.
- PLATING:
TERMINAL: CONTACT AREA: GOLD FLASH (0.11 MICRON MIN.) OVER MINIMUM 0.75 MICRON Pd/Ni.
SOLDER TAIL AREA: GOLD FLASH (0.05 MICRON MINIMUM).
UNDER PLATING: NICKEL 2.0 MICROMN MINIMUM.
SHELL: MATTE TIN 1.27 MICRON MINIMUM.
UNDER PLATING: NICKEL 1.27 MICRON MINIMUM.
- TAIL COPLANARITY 0.08mm MAXIMUM.
- PRODUCT SPECIFICATION: PS-47589-001.
- PACKAGING SEPCIFICATION: PK-47589-001.
- COMPLIANT TO RoHS DIRECTIVE 2002/95/EC AND ELV DIRECTIVE 2000/53/EC.



REVISED EC NO: SH2012-0399 DRWN:XOZHANG 2012/06/04 CHKD:XOZHANG 2012/06/04 APPR:AYIN 2012/06/11	QUALITY SYMBOLS F ₀ =0 F ₀ =0 F ₀ =0	GENERAL TOLERANCES (UNLESS SPECIFIED)		DIMENSION STYLE	SCALE	DESIGN UNITS	THIRD ANGLE PROJECTION
		mm	INCH	MM ONLY	1:1	METRIC	
		4 PLACES ± --- ± ---	3 PLACES ± --- ± ---	DRAWN BY	DATE	TITLE	
		2 PLACES ± 0.15 ± ---	1 PLACE ± 0.25 ± ---	XJSONG	2007/03/06	MICRO USB AB REC. BOTTOM MOUNT ASS'Y	
		0 PLACE ± ±		CHECKED BY	DATE		
				JTIAN	2007/03/06		
				APPROVED BY	DATE		
				JNCHEN	2007/03/06		
				MATERIAL NO.	DOCUMENT NO.		
				47589-0001	SD-47589-001		
				SIZE	THIS DRAWING CONTAINS INFORMATION THAT IS PROPRIETARY TO MOLEX INCORPORATED AND SHOULD NOT BE USED WITHOUT WRITTEN PERMISSION		
				A3			