

# HFBR-0540Z Evaluation Kit

## DC to 10 MBd Sercos 650 nm Fiber Optics Eval Kit



## User Guide

### Introduction

HFBR-0540Z evaluation kit is used to evaluate Avago fiber optic device HFBR-1505AZ and HFBR-2505AZ. The evaluation kit is equipped with necessary documents and accessories to ease product evaluation and verification.

### Evaluation Kit

HFBR-0540Z contains:

1. Evaluation board
2. HFBR-1505AZ and HFBR-2505AZ unit
3. HCS® Cable with SMA connector
4. HFBR-1505AZ /2505AZ datasheet
5. User guide document

### Evaluation Board

The basic evaluation board that you receive from Avago incorporates transmitter driver IC SN75451BD, some passive components, and SMA connectors for the TX input (TXD) and RX output (RXD) port connection. This basic evaluation board allows you to connect waveform/pattern generator to the TXD with TTL input signal. Receiver's output signal can be monitored from the RXD or RXout with oscilloscope by using high impedance setting.

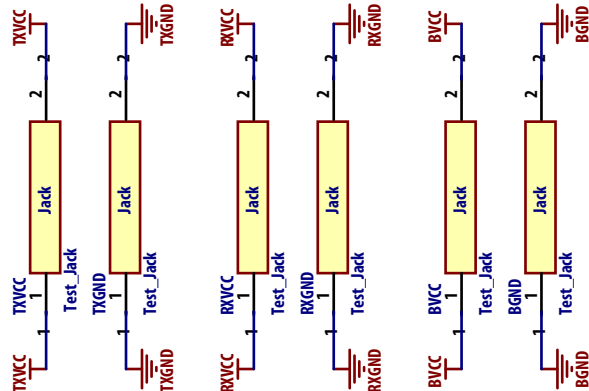
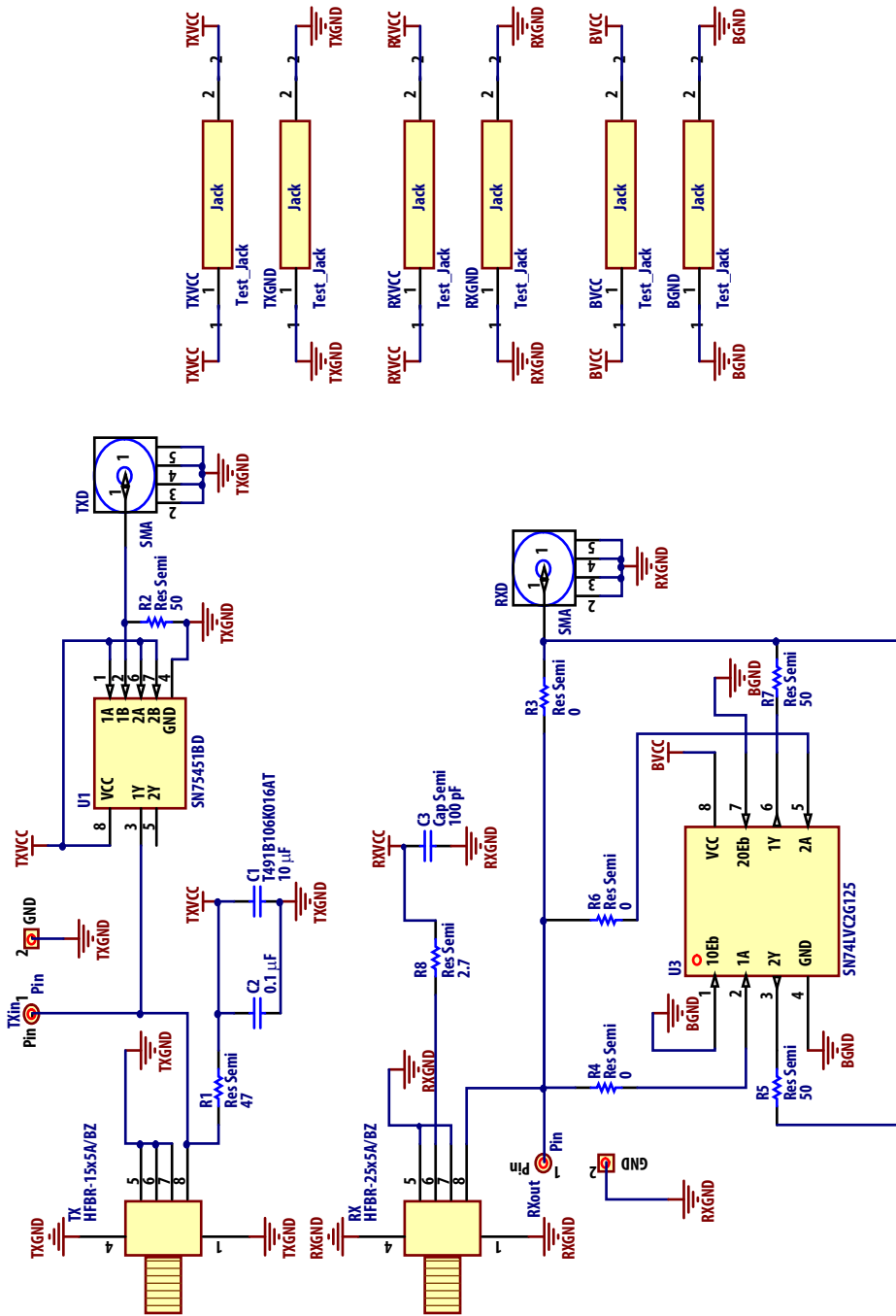
### Initial Setup

1. Connect 5 V supply voltage to TXVCC and RXVCC
2. Connect 0 V to TXGND and RXGND
3. Connect TXD to pattern generator output
4. Connect RXout to Oscilloscope with high impedance probe

### Bit Error Rate Test Setup

Though the transmitter driver IC's input and receiver's output is based on TTL logic (high impedance), the board can be modified to connect 50 ohm load instrument by doing the following steps:

1. Put R2 (50 ohm resistor).
2. Remove R3 (0 ohm resistor).
3. Put R4 (0 ohm resistor) and R7 (50 ohm resistor).
4. Put U3 (SN74LVC2G125).
5. Connect BVCC (5 V) and BGND (0 V).



For product information and a complete list of distributors, please go to our web site: [www.avagotech.com](http://www.avagotech.com)

Avago, Avago Technologies, and the A logo are trademarks of Avago Technologies in the United States and other countries. Data subject to change. Copyright © 2005-2010 Avago Technologies. All rights reserved. AV02-2663EN - October 5, 2010

