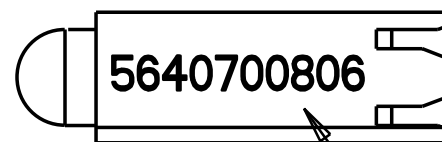
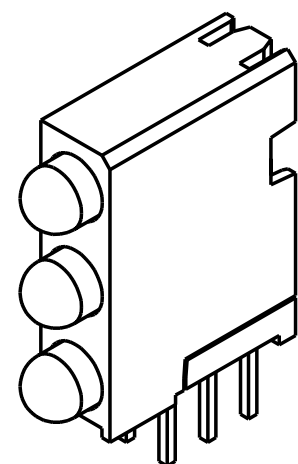
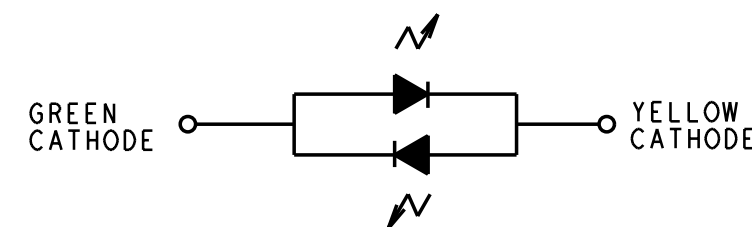
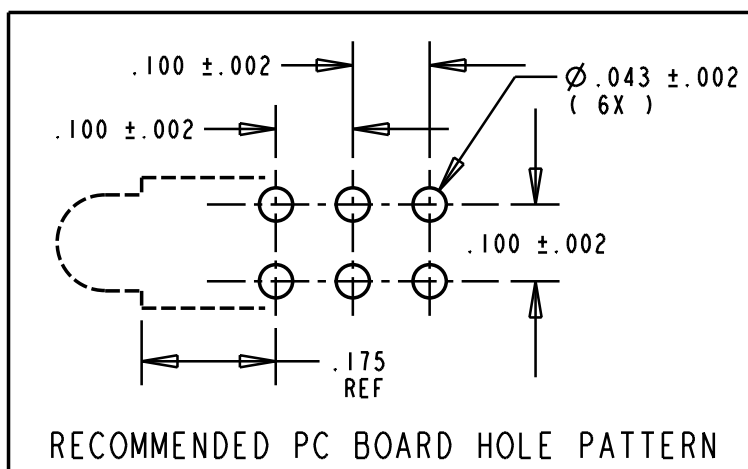
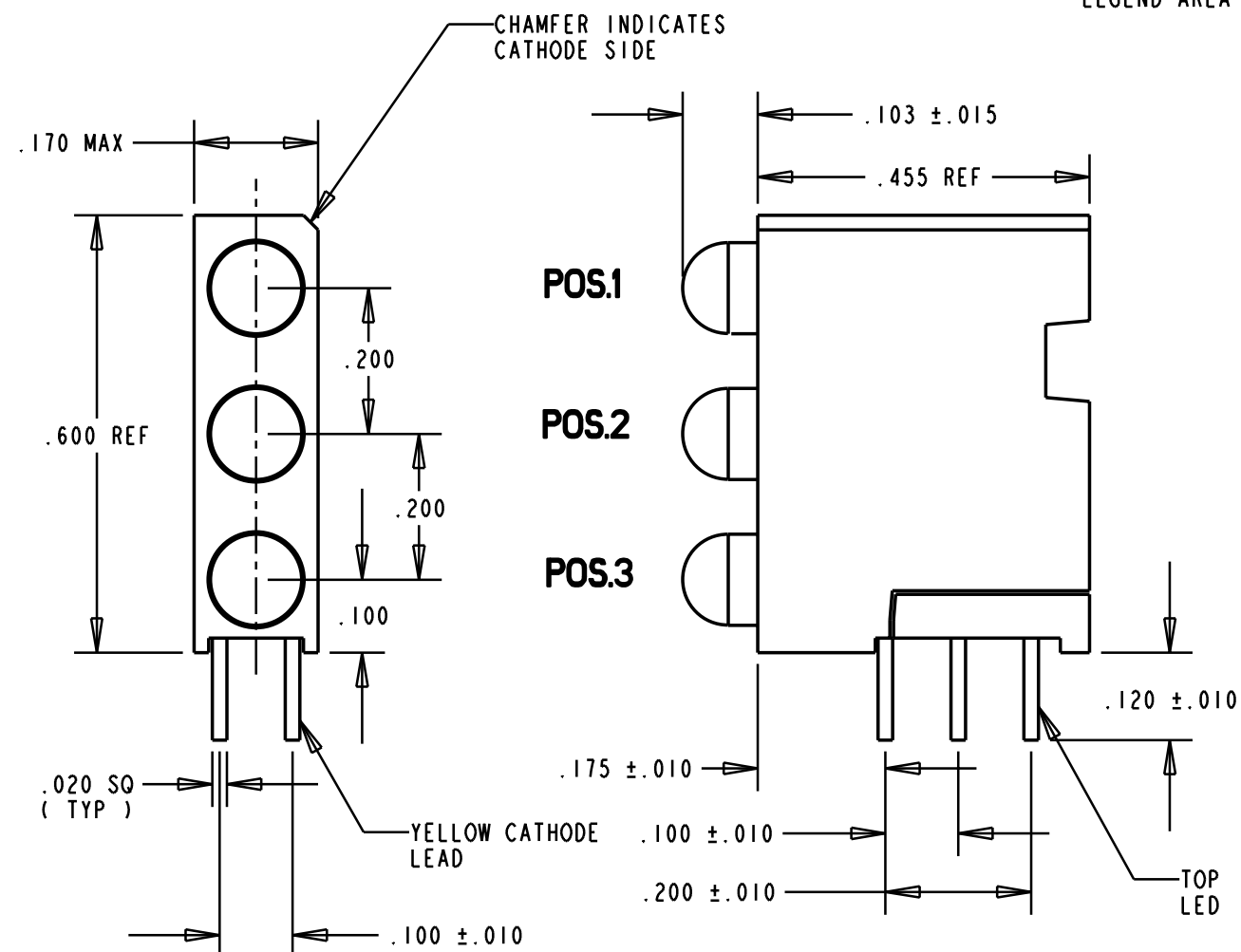


| PART NUMBER and LEGEND | LED COLOR | | |
|---------------------------|----------------|----------------|----------------|
| | POSITION 1 | POSITION 2 | POSITION 3 |
| 564-0700-806 | YELLOW / GREEN | YELLOW / GREEN | YELLOW / GREEN |

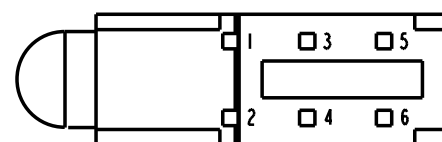
| REV. | ECN NO. | REVISIONS | DRN. | CKD. | APP. | DATE |
|------|---------|--|------|------|------|---------|
| A | ----- | NEW RELEASE | DC | -- | N.O. | 7-30-96 |
| B | ----- | CONVERTED TO NEW "BOTTOM" INSERT DESIGN; ADDED NOTES 1 THRU 5 AND PIN NUMBERS. | TC | | | |



LEGEND AREA



DISCRETE LED
INTERNAL CIRCUIT
EACH POSITION



BI-COLOR LEDS
OPERATING CHARACTERISTICS AT $T_A = 25^\circ\text{C}$

| SYMBOL | PARAMETER | COLOR | MIN | TYP | MAX | UNITS | TEST COND. |
|-------------------------|--------------------|--------|-----|-----|-----|-------|-----------------------|
| V_F | FORWARD VOLTAGE | YELLOW | | 2.1 | 2.8 | V | $I_F = 10 \text{ mA}$ |
| | | GREEN | | 2.1 | 2.8 | | |
| λ_{PEAK} | PEAK WAVELENGTH | YELLOW | | 585 | | nm | |
| | | GREEN | | 565 | | | |
| I_V | LUMINOUS INTENSITY | YELLOW | 2.5 | 4.3 | | mcd | $I_F = 10 \text{ mA}$ |
| | | GREEN | 2.5 | 6.3 | | | |

NOTES:

- 1- PIN NUMBERS FOR REFERENCE ONLY, DESIGNATION NON-EXISTENT ON PARTS
- 2- LEADS TO FIT INTO HOLES SPACED AS PER HOLE PATTERN
- 3- LEADS TO BE FREE OF DEFORMATION AFTER BENDING AND CUTTING
- 4- LED LEAD DIMENSIONS SHOWN ARE MEASURED AT HOUSING EXIT
- 5- DIALIGHT PART NUMBER: 564-0700-806

THIS DRAWING AND THE CONTENTS HEREIN ARE CONFIDENTIAL AND THE SOLE PROPERTY OF DIALIGHT. REPRODUCTION OF THIS DRAWING OR CONSTRUCTION OF ANY PARTS WITHIN THIS DRAWING ARE FORBIDDEN WITHOUT THE WRITTEN CONSENT OF DIALIGHT.

| | | |
|--|---------------------------------|---------------|
| SCALE 4:1 | DRAWING NUMBER | REV |
| ALL DIM'S IN: INCHES | C-16116 | B |
| TOLERANCES: UNLESS OTHERWISE SPECIFIED | TITLE STANDARD 3X1 CBI BLOCK | |
| FRACTIONS: $\pm 1/64$ DECIMALS (.XX): $\pm .020$ DECIMALS (.XXX): $\pm .015$ | MATERIAL | |
| ANGLES: $\pm 1^\circ$ | FINISH: | |
| FSCM 83330 | SHEET OF | FAMILY TABLE: |

Dialight 1913 ATLANTIC AVE.
MANASQUAN, N.J. 08736