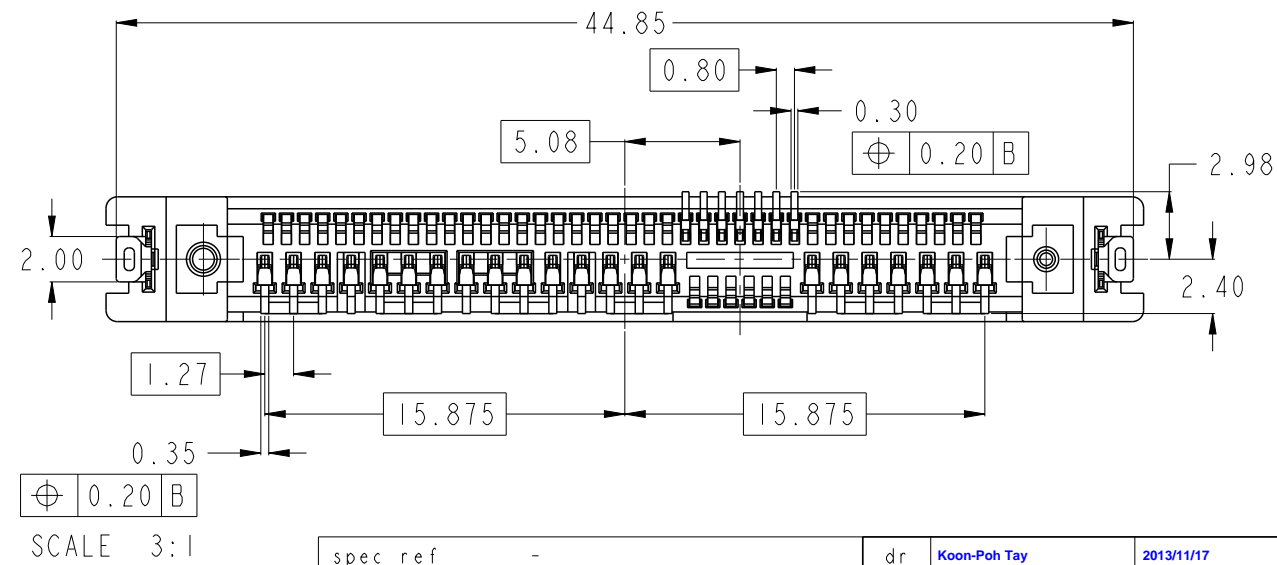
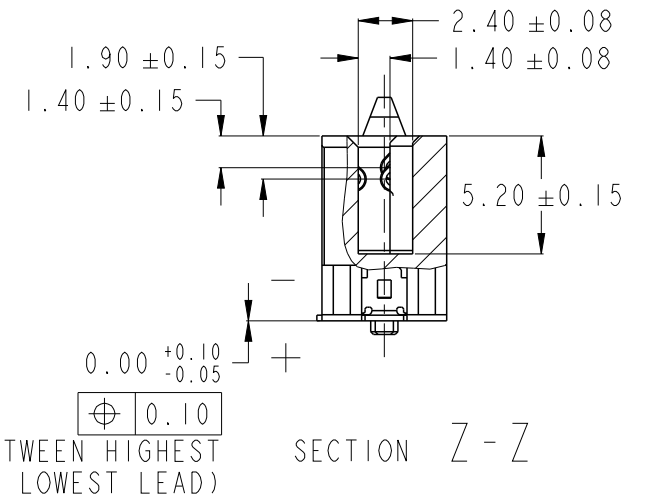
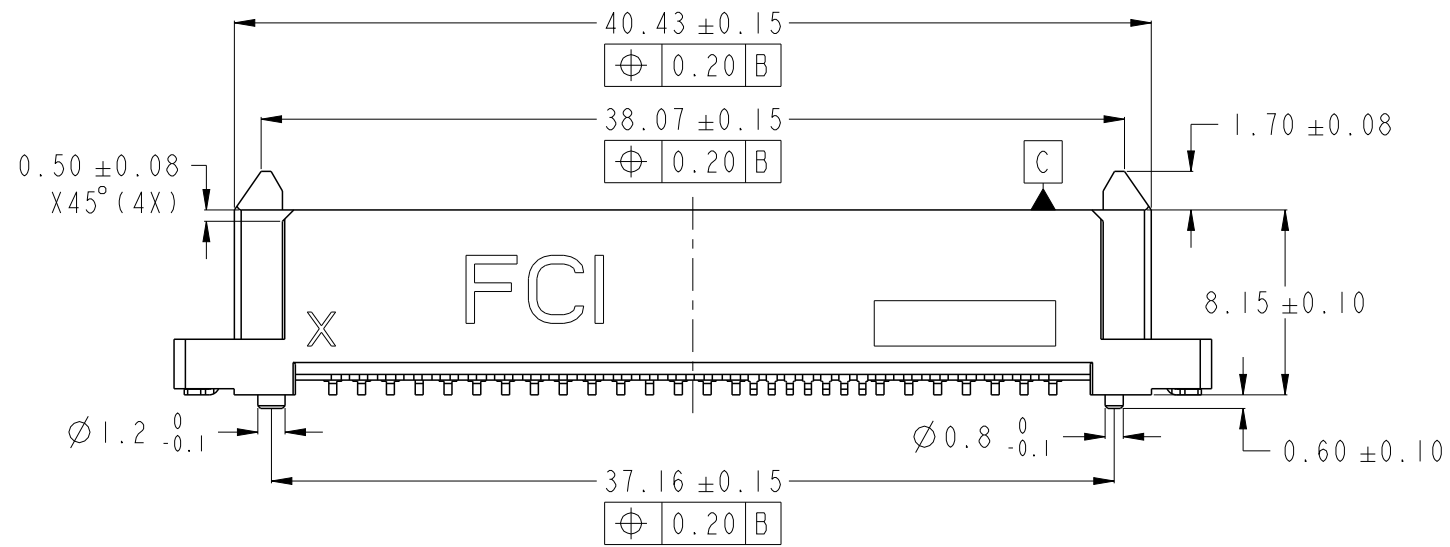
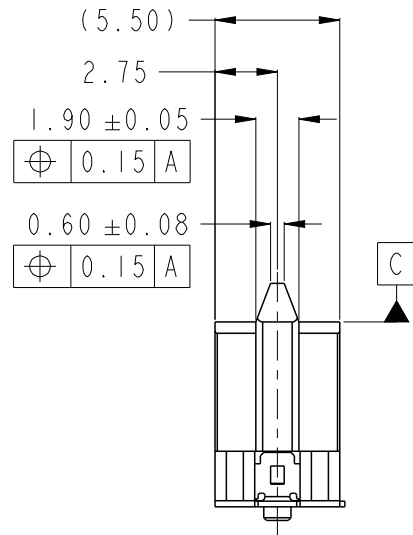
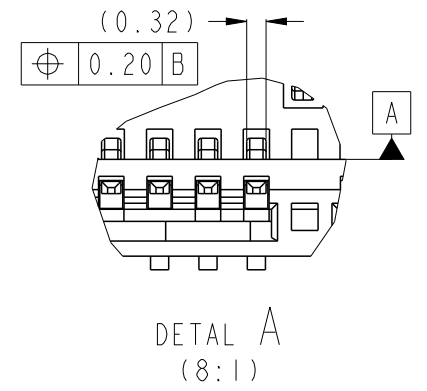
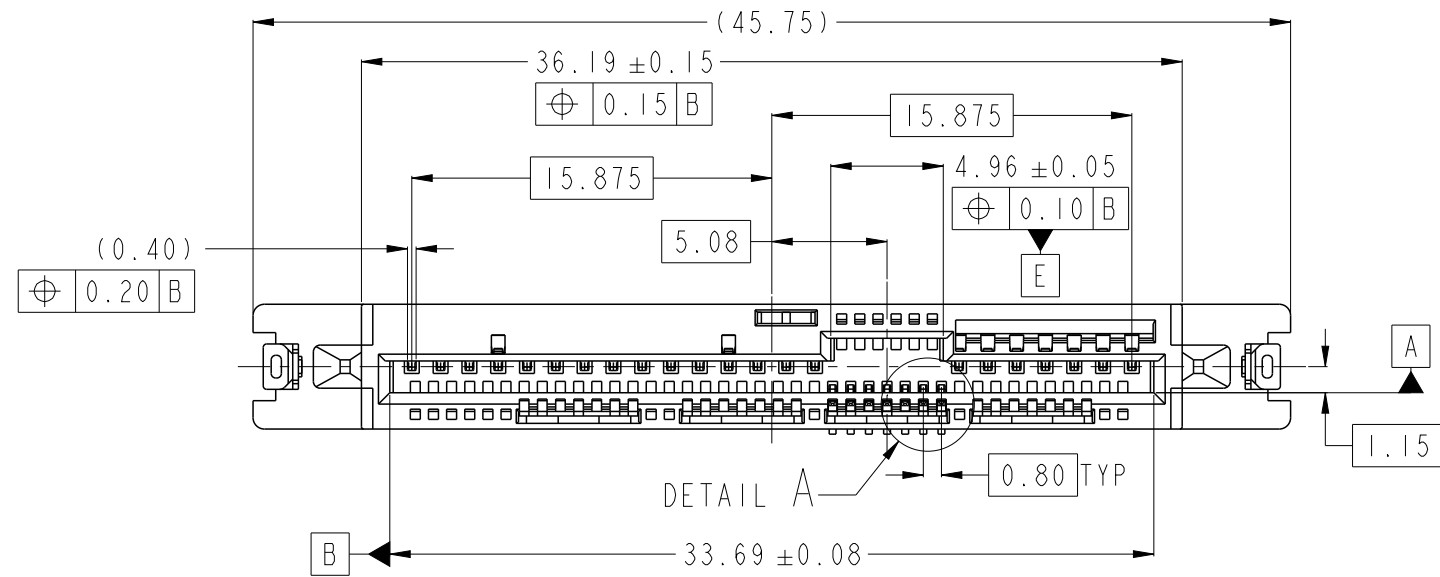


PRODUCT No.
SEE TABLE

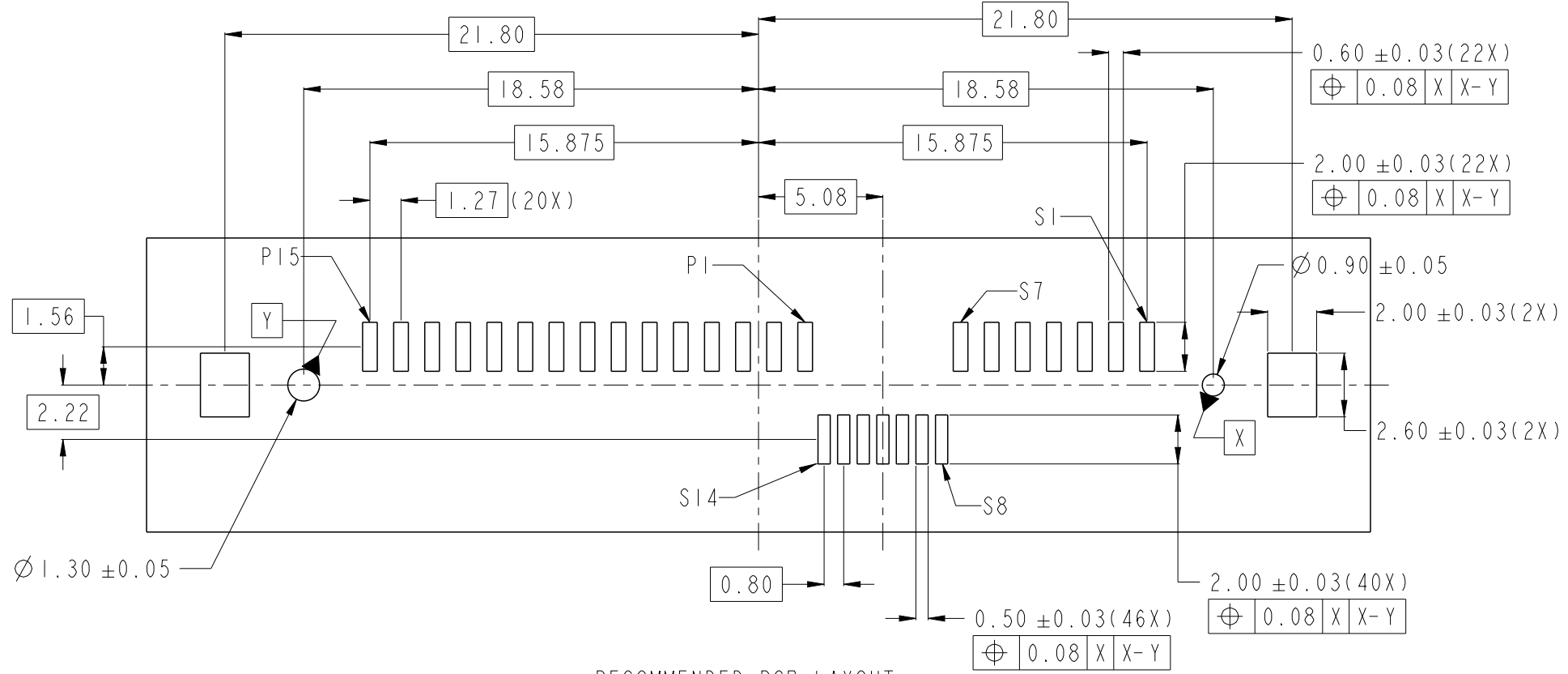


spec ref	-	dr	Koon-Poh Tay	2013/11/17	projection	MM	size	A3	scale	1:1									
tolerance std	TOLERANCES UNLESS OTHERWISE SPECIFIED	eng	Koon-Poh Tay	2013/11/17			ecn no	-	rel level	Released									
surface	<table border="1"> <tr> <td>linear</td> <td>0.X</td> <td>±0.30</td> </tr> <tr> <td></td> <td>0.XX</td> <td>±0.20</td> </tr> <tr> <td></td> <td>0.XXX</td> <td>±-</td> </tr> <tr> <td>angular</td> <td>0°</td> <td>±2°</td> </tr> </table>	linear	0.X	±0.30				0.XX	±0.20		0.XXX	±-	angular	0°	±2°	chr	-	product family	-
linear	0.X	±0.30																	
	0.XX	±0.20																	
	0.XXX	±-																	
angular	0°	±2°																	
appr	Chen-Hong Tan	2013/11/17			SAS RECEPTACLE VERTICAL SMT		dwg no 10127070	rev A											
www.fci.com		cat. no.	-		Product - Customer Drw		sheet 1 of 2												



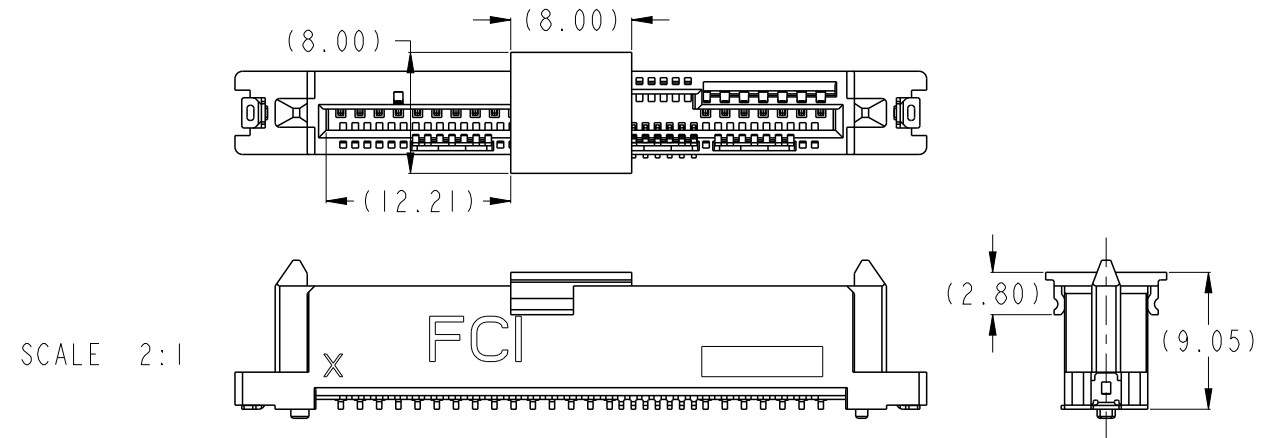
Copyright FCI.

PRODUCT No.	PLATING	PICK UP CAP	PACKAGING	REMARKS
10127070-001LF	NOTE 2	NO	TRAY	NOTE 5
10127070-001CLF		YES		
10127070-001TRLF		NO	TAPE & REEL	
10127070-001C-TRLF		YES		



RECOMMENDED PCB LAYOUT
SCALE 4:1

- NOTES:
- MATERIAL:
 - HOUSING HIGH TEMP THERMOPLASTIC, UL 94V-0
COLOUR: BLACK
 - TERMINAL: COPPER ALLOY
 - HOLD DOWN: COPPER ALLOY
 - FINISH:
 - TERMINAL: 30u" Au PLATING (CONTACT POINT)
OVER 50u" NICKEL
 - SOLDER TAIL: 100u" MIN Sn OVER 50u" NICKEL
 - HOLD DOWN: 100u" MIN Sn OVER 50u" NICKEL
 - THE STANDARD PACKAGING IS IN TRAY UNLESS OTHERWISE SPECIFIED
 - THE HOUSING WILL WITHSTAND EXPOSURE TO 260°C PEAK TEMPERATURE FOR 10 SECONDS IN A CONVECTION, INFRA-RED OR VAPOR PHASE REFLOW OVEN.
 - THIS PRODUCT MEETS EUROPEAN UNION DIRECTIVES AND OTHER COUNTRY REGULATIONS AS DESCRIBED IN GS-47-0004.
 - A \triangle SYMBOL WILL BE NEXT TO ANY DIMENSION, VIEW, OR NOTE WHICH HAS BEEN MODIFIED WITH THE CURRENT DRAWING REVISION.



SCALE 2:1

Copyright FCI.

spec ref	-	dr	Koon-Poh Tay	2013/11/17	projection	MM	size	A3	scale	1:1										
tolerance std	TOLERANCES UNLESS OTHERWISE SPECIFIED	eng	Koon-Poh Tay	2013/11/17			ecn no	-	rel level	Released										
-	-	chr	-	-																
surface	<table border="1"> <tr> <td>linear</td> <td>0.X</td> <td>±0.30</td> </tr> <tr> <td></td> <td>0.XX</td> <td>±0.20</td> </tr> <tr> <td></td> <td>0.XXX</td> <td>±-</td> </tr> <tr> <td>angular</td> <td>0°</td> <td>±2°</td> </tr> </table>	linear	0.X	±0.30		0.XX	±0.20		0.XXX	±-	angular	0°	±2°	appr	Chen-Hong Tan	2013/11/17	product family		rel level	Released
linear	0.X	±0.30																		
	0.XX	±0.20																		
	0.XXX	±-																		
angular	0°	±2°																		
-	-			SAS RECEPTACLE		dwg no	10127070		rev	A										
-	-	www.fci.com		cat. no.	Product - Customer Drw			sheet 2 of 2												