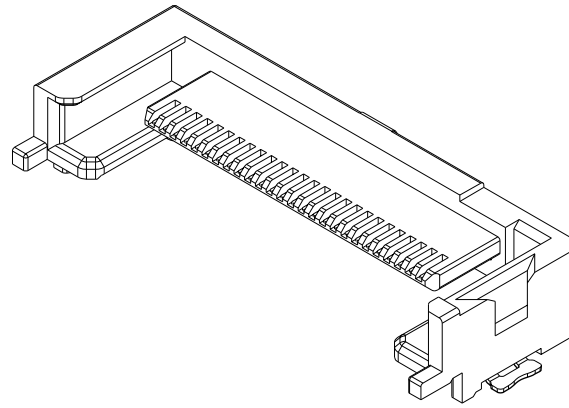


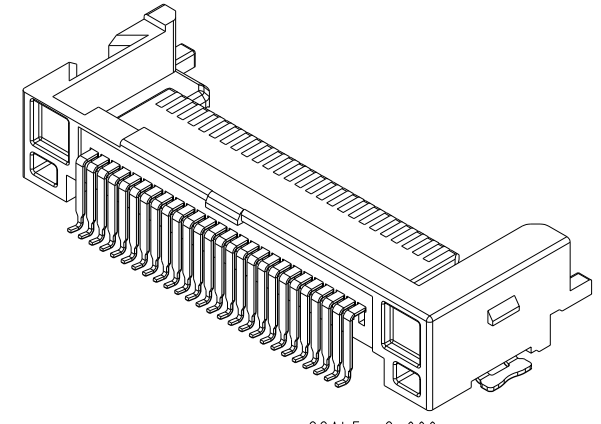
Tous droits strictement reserves. Reproduction ou communication a des tiers interdite sous quelque forme que ce soit sans autorisation écrite du propriétaire. Propriete de FCI. Droits de reproduction FCI.



All rights strictly reserved. Reproduction or issue to third parties in any form whatever is not permitted without written authority from the proprietor. Property of FCI. Copyright FCI.



SCALE 2.000



SCALE 2.000

NOTES :

1. MATERIAL:  
 HOUSING: HIGH TEMPERATURE THERMOPLASTIC,  
 UL 94 V-O FLAME RETARDANT.  
 TERMINAL: COPPER ALLOY.  
 PLATING SPEC. AS BELOW :  
 Ni 50u" UNDER PLATED.  
 Au OR GXT 30u" OVER CONTACT AREA. (ONE SIDE)  
 Tin 120u" OVER SOLDERING AREA.
2. PACKING SPEC. GS-14-924.
3. PRODUCT PERFORMANCE PER SPEC. GS-12-285.
4. PART NUMBER SCHEME: (EX. 10056265-222ABTMLF)  
 10056265-X XX X X X XLF (LEAD FREE PLATING)

SPEC.	OPTION (CODE)		
MYLAR	WITH (M)	WITHOUT ( )	
PACKING	TRAY (S)	TAPE & REEL (T)	TUBE (P)
HSG COLOR	BLACK (B)	NATURE (N)	
MOUNT SIDE	ABOVE (A)		
STAND-OFF	2.2 (22)		
PLATING	GOLD (1)	GXT (2)	

5. RoHS COMPATIBLE PRODUCT SPECIFICATIONS

a-PLATING:

- "LF" MEANS THE PRODUCT IS LEAD-FREE, 2micro-meter MINIMUM MATTE TIN OVER 1.27micro-meter MINIMUM NICKEL UNDERPLATE.

b-MANUFACTURING PROCESS COMPATIBILITY

- THE HOUSING WILL WITHSTAND EXPOSURE TO 260°C±5°C SOLDER BATH TEMPERATURE FOR 5 SECONDS IN A REFLOW SOLDER APPLICATION WITH A 1.6mm MIN THICK CIRCUIT BOARD.

tolerance unless otherwise specified	
linear	.X ± .5 .XX ± .30

rev	ecn no	dr	date
A	T05-0096	TAI	05/23/05
B	T05-0121	TAI	06/03/05
C	T05-0239	TAI	10/19/05
D	T05-0271	TAI	12/08/05
E	T05-0304	TAI	12/30/05
-	-	-	-
-	-	-	-

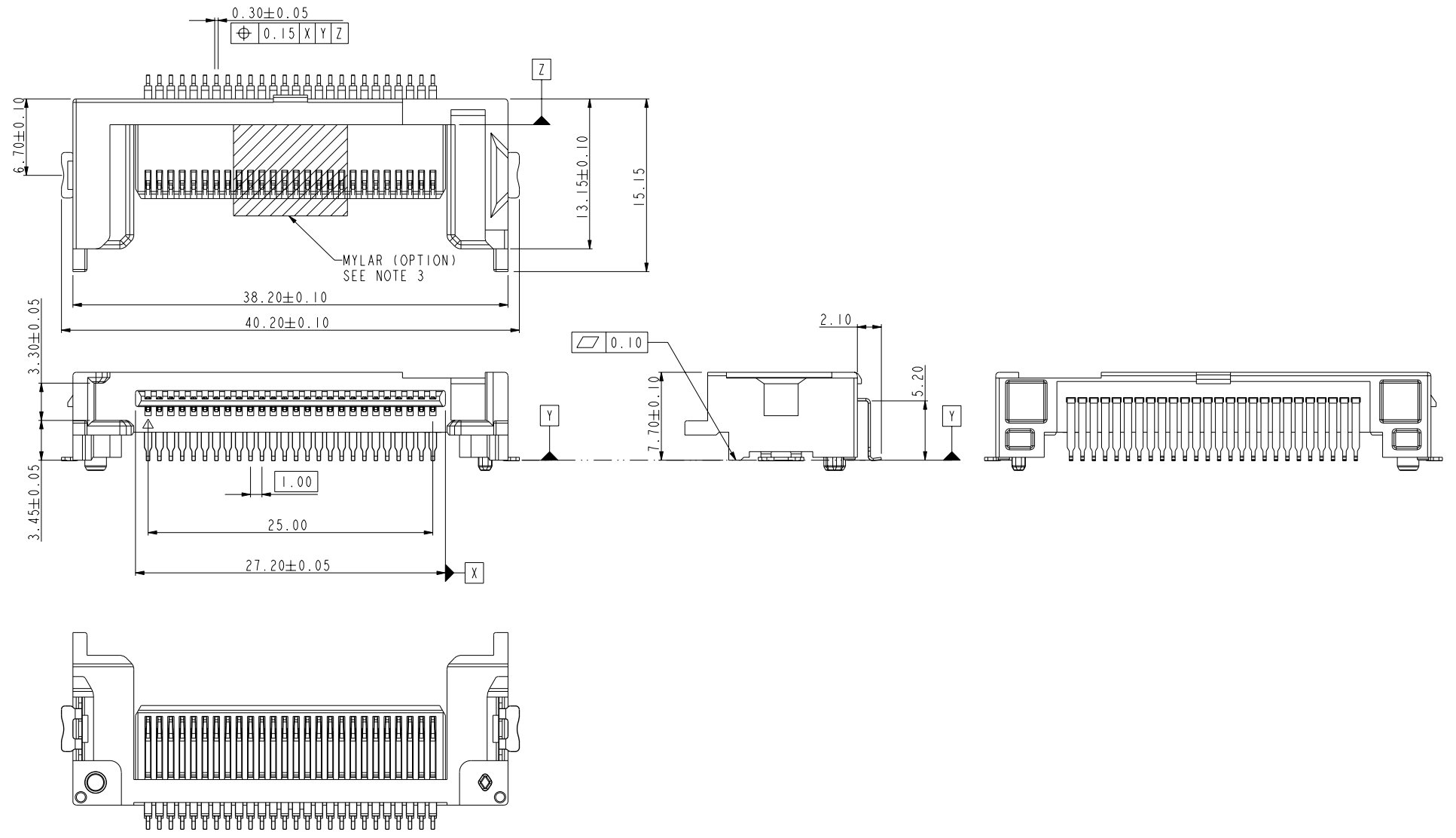
www.fciconnect.com		tolerance ASME Y14.5	projection	MM
Dr	KENNY TAI	05/12/05	Product family	size A4
Eng	KENNY TAI	05/12/05	Spec ref *	Scale 1.000
Chr	KENNY TAI	05/12/05	Material	ECN T05-0304
Appr	PAUL WANG	05/12/05		
TOP MOUNT, 2.2 S/O			dwg no	Rev.
HOST CONNECTOR ASSEMBLY			10056265	E
catalog no		10056265	CUSTOMER	sheet 1 of 3



Tous droits strictement reserves. Reproduction ou communication a des tiers interdite sous quelque forme que ce soit sans autorisation ecrite du proprietaire. Propriete de c FCI. Droits de reproduction FCI.

All rights strictly reserved. Reproduction or issue to third parties in any form whatever is not permitted without written authority from the proprietor. Property of FCI. Copyright FCI.

PRODUCT NO.	NOTE
10056265-X22AXXLF	TOOLED

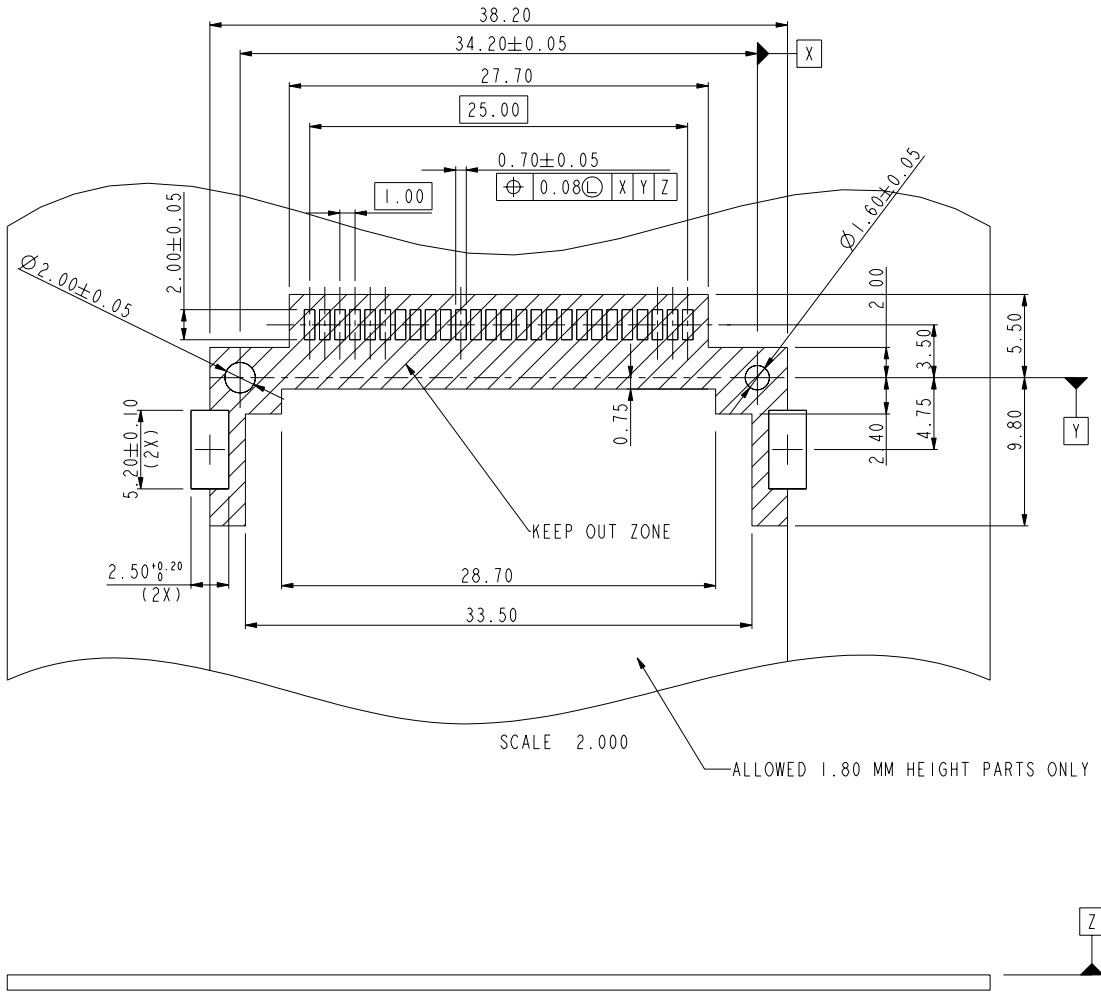


title	TOP MOUNT, 2.2 S/O		dwg no	10056265	Rev.	E
	HOST CONNECTOR ASSEMBLY					
catalog no	10056265	CUSTOMER	sheet 2 of 3			

Tous droits strictement réservés. Reproduction ou communication à des tiers interdite sous quelque forme que ce soit sans autorisation écrite du propriétaire. Propriété de FCI. Droits de reproduction FCI.

**FCI**

All rights strictly reserved. Reproduction or issue to third parties in any form whatever is not permitted without written authority from the proprietor. Property of FCI. Copyright FCI.



title	TOP MOUNT, 2.2 S/O		dwg no	10056265	Rev.	E
	HOST CONNECTOR ASSEMBLY			CUSTOMER		sheet 3 of 3
catalog no	10056265					