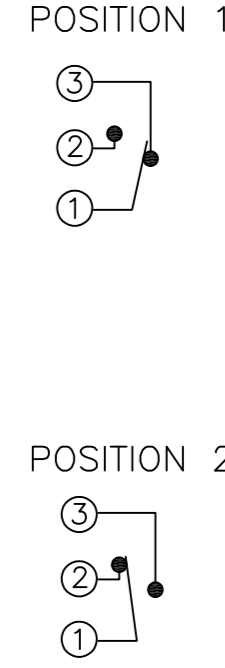
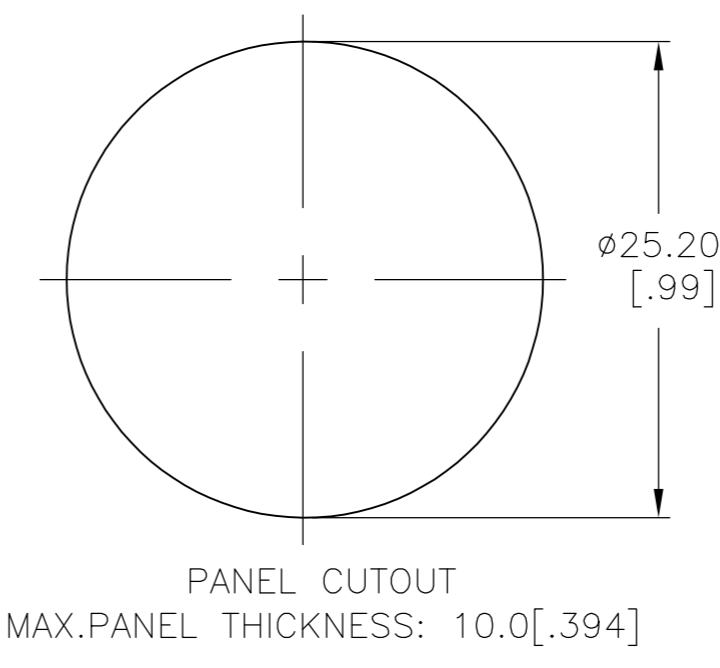
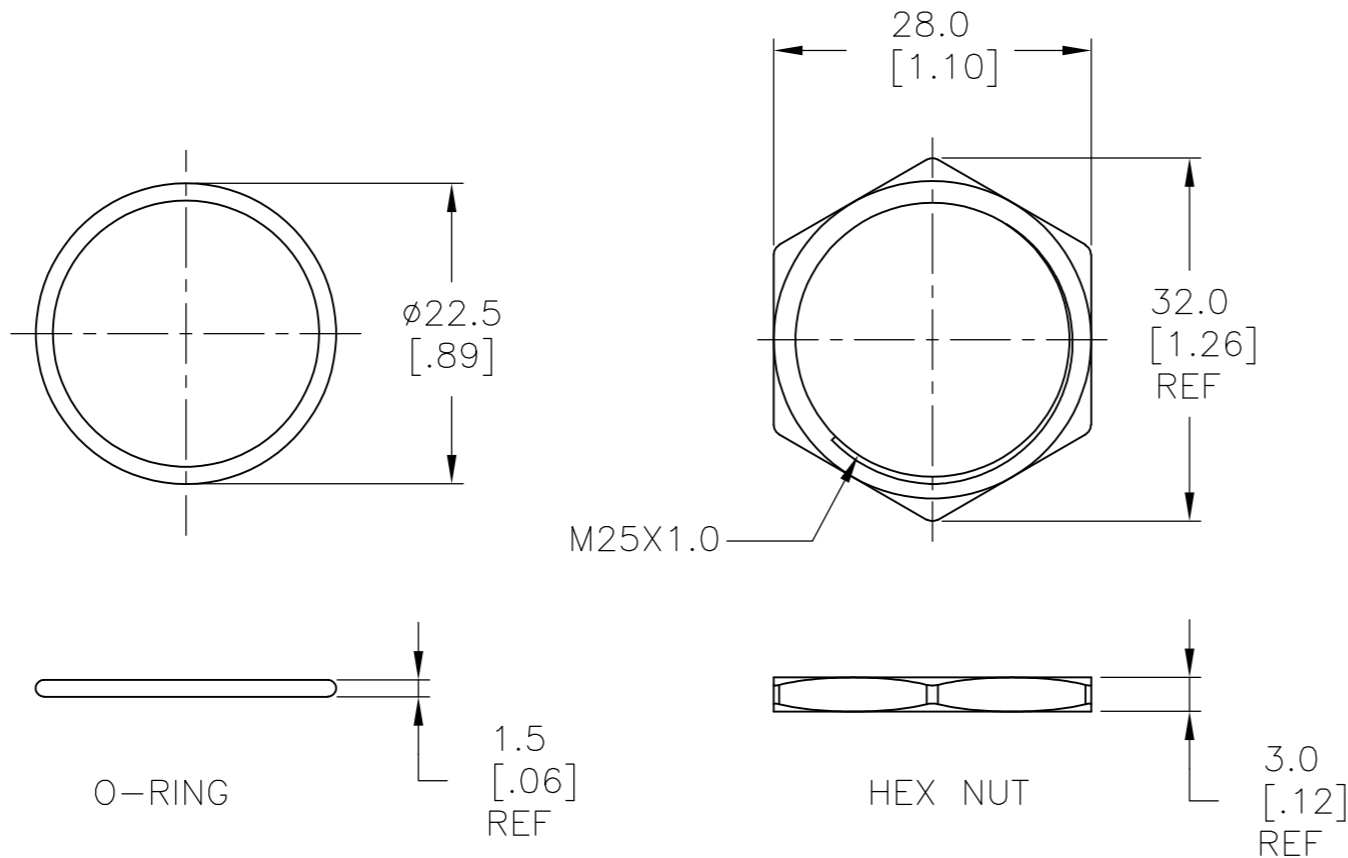
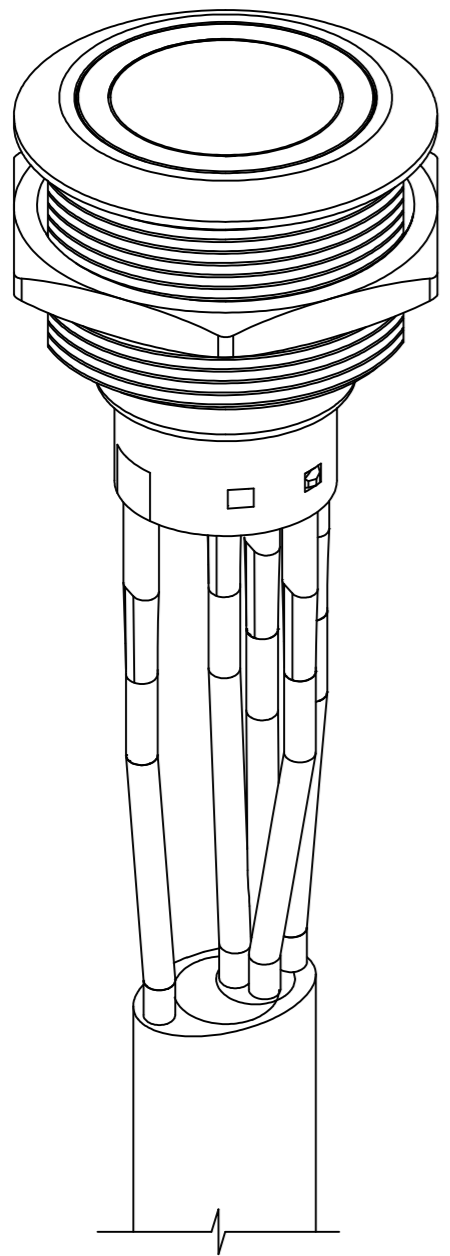
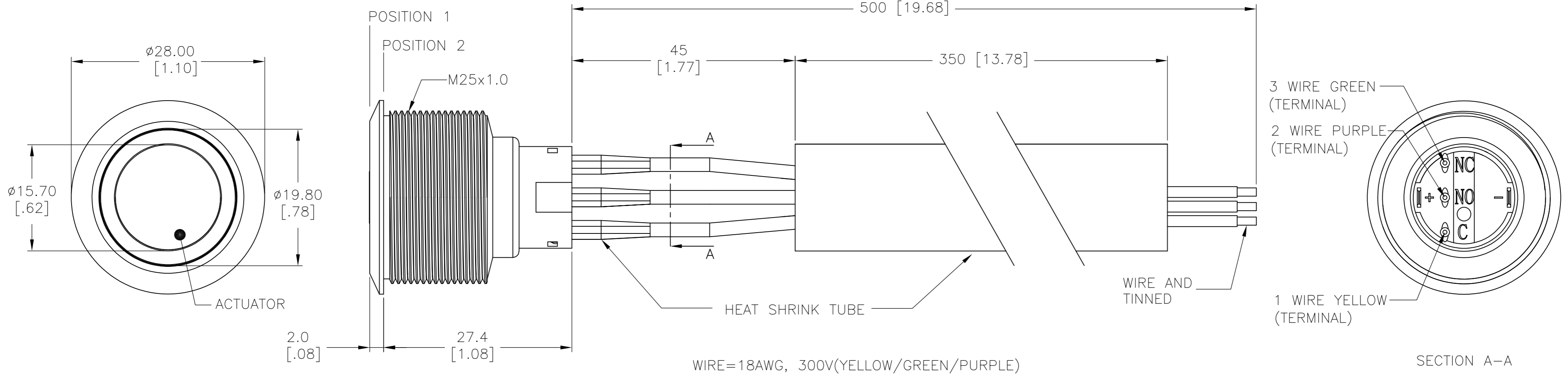


THIS DRAWING IS UNPUBLISHED. RELEASED FOR PUBLICATION
 © COPYRIGHT - By - ALL RIGHTS RESERVED.

REVISIONS					
P	LTR	DESCRIPTION	DATE	DWN	APVD
A		INITIAL RELEASE	16MAR2017	SK	SS

SINGLE POLE SWITCH WITH NO LED AND WITH FLYING LEADS

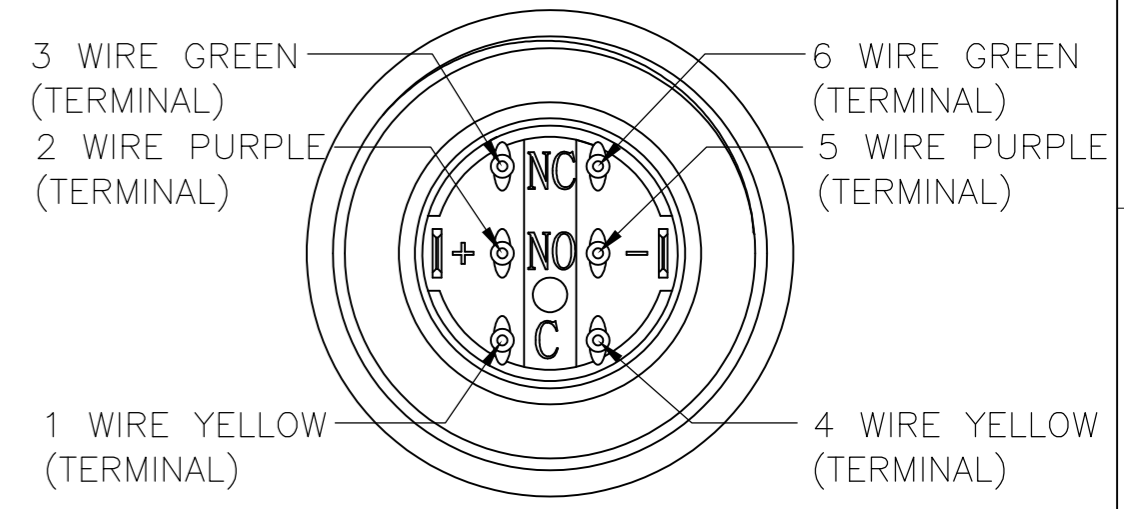
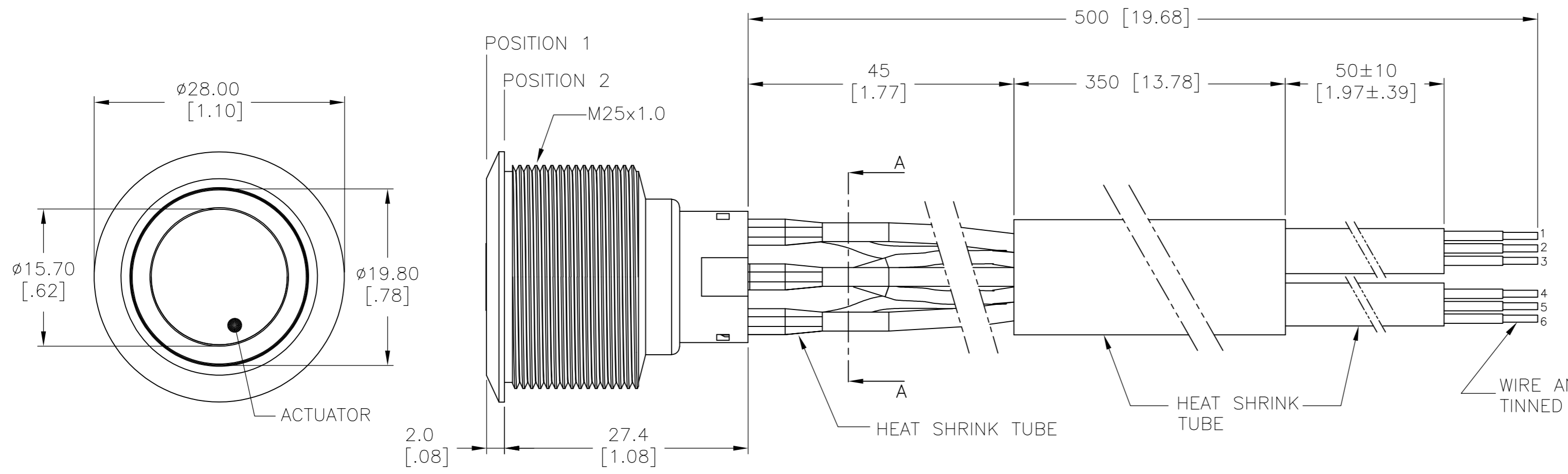


THIS DRAWING IS A CONTROLLED DOCUMENT.		DWN	16MAR2017		
DIMENSIONS: mm [INCHES]		CHK	16MAR2017		
TOLERANCES UNLESS OTHERWISE SPECIFIED:		APVD	16MAR2017		
0 PLC ± - 1 PLC ± 0.4[.016] 2 PLC ± 0.25[.010] 3 PLC ± - 4 PLC ± - ANGLES ± 2°		PRODUCT SPEC	NAME		
MATERIAL		APPLICATION SPEC		ANTI-VANDAL SWITCH 25mm, NO LED AND FLYING LEADS	
FINISH		WEIGHT	0	SIZE	A2
		CUSTOMER DRAWING		CAGE CODE	00779
				DRAWING NO	C=2317655
				RESTRICTED TO	-
				SCALE	1:1
				SHEET	1 of 3
				REV	A

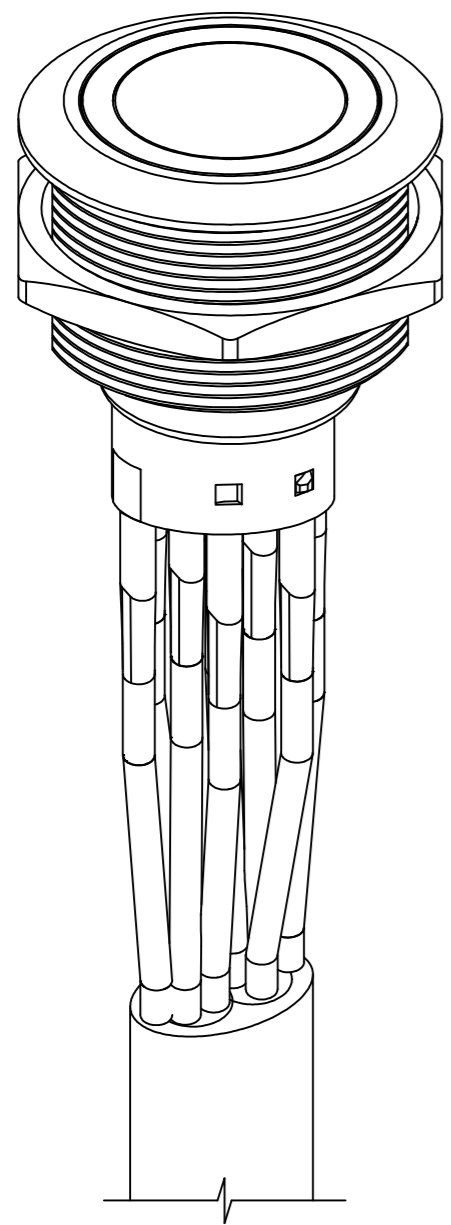
THIS DRAWING IS UNPUBLISHED. RELEASED FOR PUBLICATION
 © COPYRIGHT - By - ALL RIGHTS RESERVED.

REVISIONS					
P	LTR	DESCRIPTION	DATE	DWN	APVD
-	-	SEE SHEET 1	-	-	-

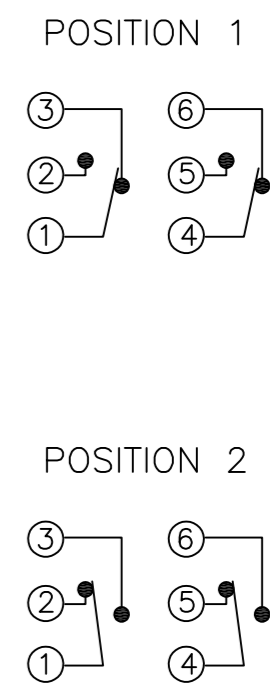
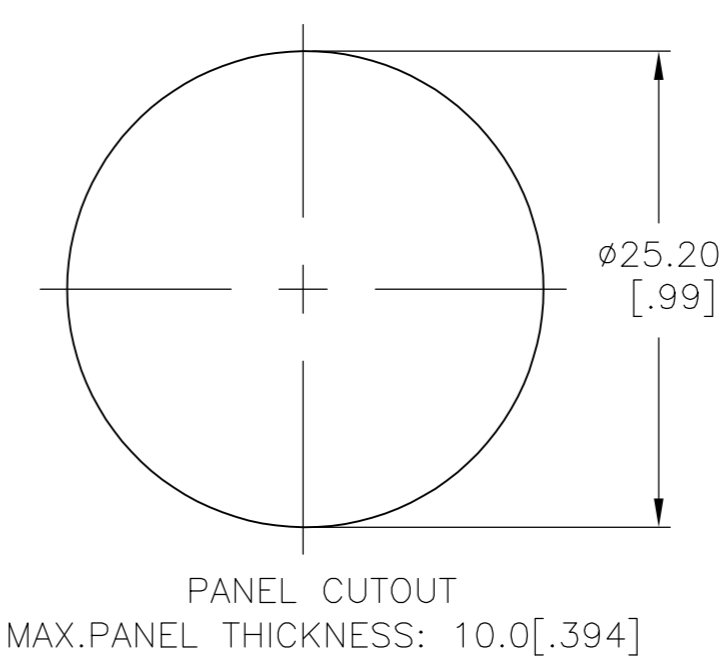
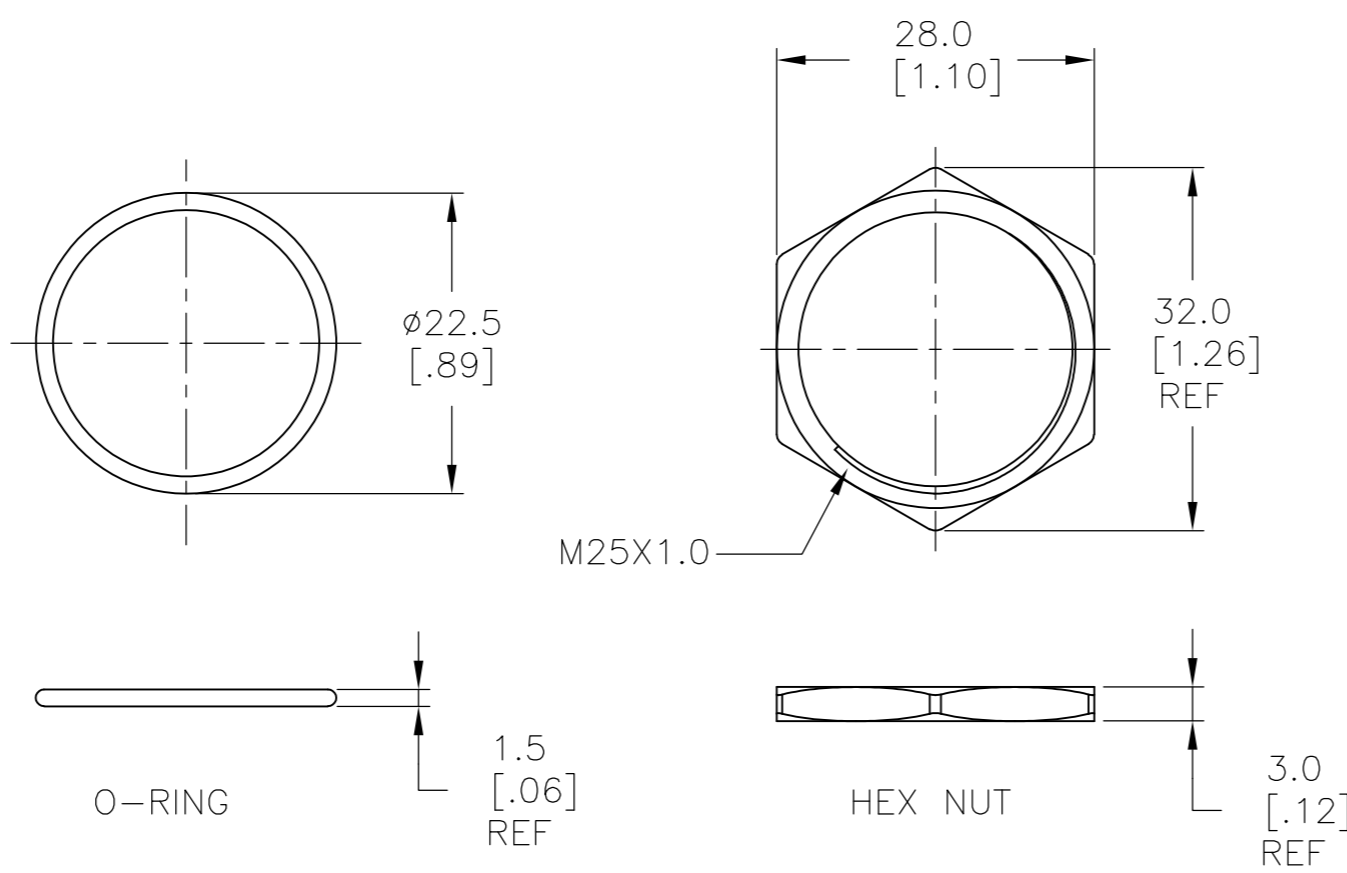
DOUBLE POLE SWITCH WITH NO LED AND WITH FLYING LEADS



WIRE=18AWG, 300V(YELLOW/GREEN/PURPLE)



ASSEMBLED VIEW



THIS DRAWING IS A CONTROLLED DOCUMENT.		DWN SHIVAKUMAR S S 16MAR2017				
DIMENSIONS: mm [INCHES]		CHK SANJAY SHINDIKAR 16MAR2017				
TOLERANCES UNLESS OTHERWISE SPECIFIED:		APVD SANJAY SHINDIKAR 16MAR2017	NAME ANTI-VANDAL SWITCH 25mm, NO LED AND FLYING LEADS			
0 PLC ± - 1 PLC ± 0.4[.016] 2 PLC ± 0.25[.010] 3 PLC ± - 4 PLC ± - ANGLES ± 2°		PRODUCT SPEC	SIZE A2	CAGE CODE 00779	DRAWING NO C=2317655	RESTRICTED TO -
MATERIAL -		FINISH -	WEIGHT 0	SCALE 1:1	SHEET 2 OF 3	REV A
CUSTOMER DRAWING						

THIS DRAWING IS UNPUBLISHED. RELEASED FOR PUBLICATION
 © COPYRIGHT - By - ALL RIGHTS RESERVED.

REVISIONS					
P	LTR	DESCRIPTION	DATE	DWN	APVD
-	-	SEE SHEET 1	-	-	-

SPECIFICATION:


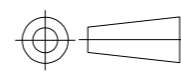
CONTACT RATING: SILVER; 3A @ 250VAC RESISTIVE
 GOLD; 0.4A @ 20VDC OR PEAK AC
 INSULATION RESISTANCE: 1,000MΩ MIN AT 500VDC
 DIELECTRIC STRENGTH: 2,000V RMS @ SEA LEVEL
 CONTACT RESISTANCE: 50mΩ MAX @ 1A 12VDC (INITIAL VALUE), SOLDER TERMINALS
 100mΩ MAX @ 1A 12VDC(INITIAL VALUES), FLYING LEADS.
 ELECTRICAL LIFE CYCLES: 50,000 MAKE AND BREAK CYCLES AT FULL LOAD.
 ACTUATION FORCE: SP: 2.5±1 NEWTON. DP: 3.5±1 NEWTON
 ACTUATION TRAVEL: 3.2MM
 SEALED PER IP67, IK08 (STAINLESS)
 OPERATING TEMPERATURE: -20°C TO +55°C
 MECHANICAL LIFECYCLES: MOMENTARY; 1,000,000 CYCLES
 LOCKING; 500,000 CYCLES
 HARDWARE TORQUE: 5-14 N-m.

MATERIALS

BUSHING: STAINLESS STEEL,
 BASE: PBT (UL 94-V0), PC (UL 94-V2),
 ACTUATOR: STAINLESS STEEL, PC
 SEALING: O-RING (SILICONE),
 TERMINAL/CONTACT: COPPER BASE, SILVER/GOLD PLATED,
 HEX NUT: BRASS BASE, NICKEL PLATED,
 WIRE:UL3385.

- ALL MATERIAL AND FINISHES SHALL COMPLY WITH EU DIRECTIVE 2002/95/EC OF 27JAN2003(ROHS).

SILVER	FLYING LEADS TERMINALS	DOUBLE POLE - LOCKING	-	-	AV2521000T5Q04	2317655-4
		DOUBLE POLE - MOMENTARY	-	-	AV2520000T5Q04	2317655-3
		SINGLE POLE - LOCKING	-	-	AV2511000T5Q04	2317655-2
		SINGLE POLE - MOMENTARY	-	-	AV2510000T5Q04	2317655-1
CONTACT FINISH	TERMINAL OPTION	POLE/THROW	LED COLOR	LED VOLTAGE	TE DESCRIPTIVE PART NUMBER	TE PART NUMBER

THIS DRAWING IS A CONTROLLED DOCUMENT.		DWN 16MAR2017 SHIVAKUMAR S S	 TE Connectivity			
DIMENSIONS: mm [INCHES]		CHK 16MAR2017 SANJAY SHINDIKAR				
TOLERANCES UNLESS OTHERWISE SPECIFIED:		APVD 16MAR2017 SANJAY SHINDIKAR	NAME ANTI-VANDAL SWITCH 25mm, NO LED AND FLYING LEADS			
		PRODUCT SPEC -	-			
MATERIAL		APPLICATION SPEC -	SIZE A2	CAGE CODE 00779	DRAWING NO C=2317655	RESTRICTED TO -
FINISH		WEIGHT 0	SCALE 1:1		SHEET 3 of 3	REV A
CUSTOMER DRAWING						