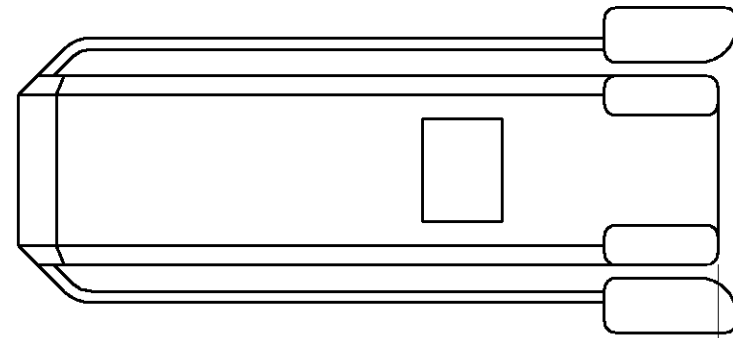


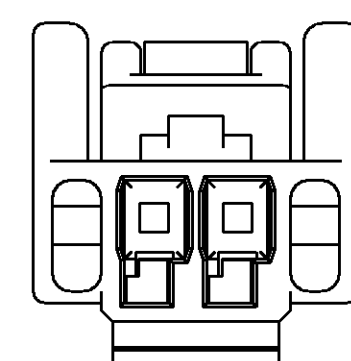
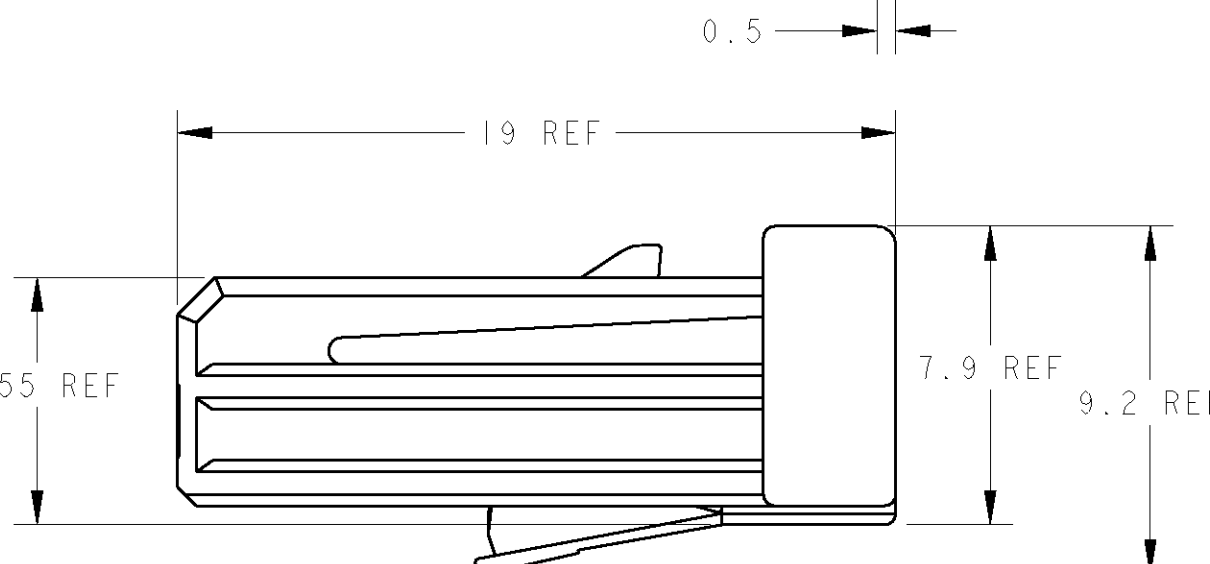
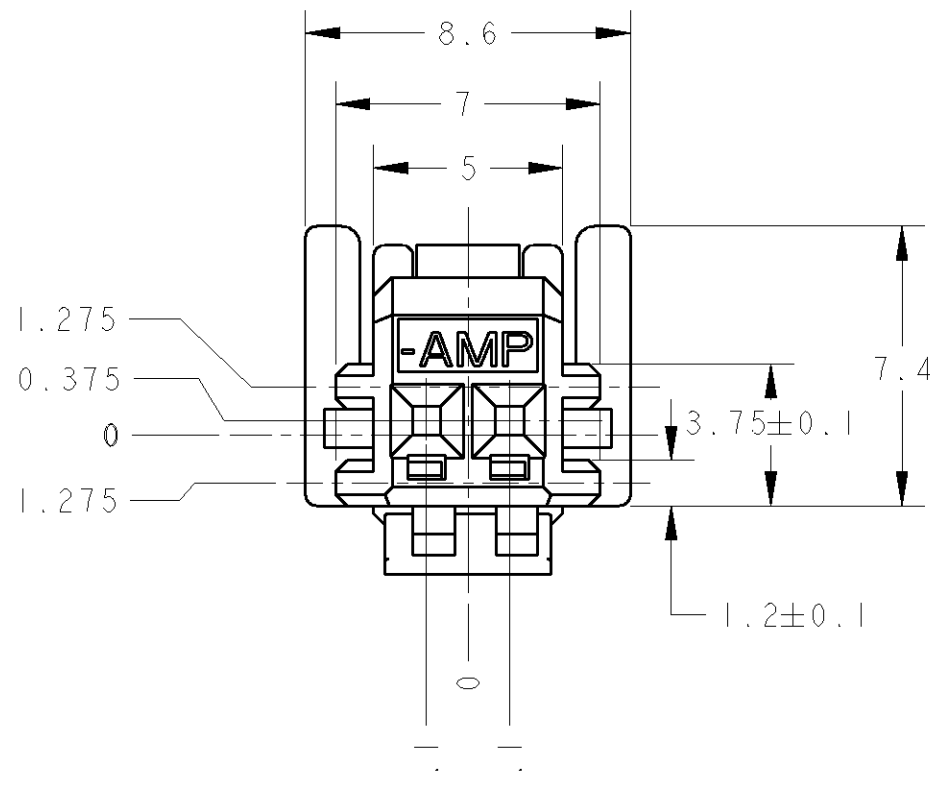
THIS DRAWING IS UNPUBLISHED. RELEASED FOR PUBLICATION 20
 © COPYRIGHT 20 BY TYCO ELECTRONICS CORPORATION. ALL RIGHTS RESERVED.

| LOC | DIST | REVISIONS | | | | | | |
|-----|------|-----------|-----|-------------|--------------|---------|-----|------|
| | | P | LTR | DESCRIPTION | ECN | DATE | DWN | APVD |
| J | - | 0 | | RELEASED | FJ00-1977-00 | 08FEB01 | DM | NS |
| | | 01 | | REVISED | FJA0-0242-04 | 14APR04 | AY | KB |



1. INSTRUCTION SHEET ; 411-5933
2. DOUBLE LOCK SHOULD BE SET TO THE PRE-ASSEMBLY POSITION WITHIN THE PLUG HOUSING WHEN SHIPPED TO THE CUSTOMER.
3. DETAILS OF CAVITY ; SEE TABLE I

1. 取扱説明書 ; 411-5933
2. ダブルロックは、仮係止状態で出荷される。
3. キャビティ構成は、TABLE - I 参照。



| | |
|---------|-------------|
| NATURAL | 1473143-2 |
| BLACK | 1473143-1 |
| COLOR | PART NUMBER |

TABLE - I

| | FINISH 仕上 | POS 極数 | APPLIED TERMINAL AMP P/N | 適用端子 AMP P/N | APPLICABLE WIRE RANGE 適用電線 |
|---------------|--------------|-----------|-----------------------------|-----------------|---|
| SIGNAL 025 | TIN | 2 | 1123343-1 | | CAVS 0.22-0.5mm ² AVSS,CAVUS 0.3-0.5mm ² AVSSH-f 0.3-0.5mm ² |

THIS DRAWING IS A CONTROLLED DOCUMENT FOR TYCO ELECTRONICS CORPORATION
 IT IS SUBJECT TO CHANGE AND THE CONTROLLING ENGINEERING ORGANIZATION
 SHOULD BE CONTACTED FOR THE LATEST REVISION.

| | |
|----------------------------|---|
| DIMENSIONS: 単位: 概 mm | TOLERANCES UNLESS OTHERWISE SPECIFIED: ±0.3 |
| | 0-PLC ± |
| | 1-PLC ±0.1 |
| | 2-PLC ±0.01 |
| | 3-PLC ±0.001 |
| | 4-PLC ±0.0001 |
| | ANGLES ±3'00" |
| MATERIAL 材料 | FINISH 仕上 |
| PBT GF15 | SEE TABLE |

| | |
|------------------|-----------|
| DWN | 07-Nov-00 |
| CHK | 07-Nov-00 |
| APVD | 07-Nov-00 |
| NAME | N.SAI |
| PRODUCT SPEC | 108-5675 |
| APPLICATION SPEC | 114-5250 |
| WEIGHT | 0.61g |
| CUSTOMER DRAWING | |

| | | | |
|-----------------------|------------------------|--|---------------|
| WIRE RANGE 抱合電線断面積 | INSULATION DIA 被覆外径 | Tyco Electronics AMP K.K. Kawasaki, Japan | |
| NAME 名称 | | 025 SERIES CONNECTOR 2POSITION PLUG HOUSING | |
| SIZE | CAGE CODE | DRAWING NO 番号 | RESTRICTED TO |
| A3 | 00779 | 1473143 | - |
| SCALE 尺度 | | SHEET | REV |
| 5:1 | | 1 OF 1 | 01 |