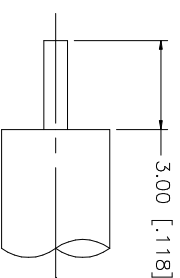
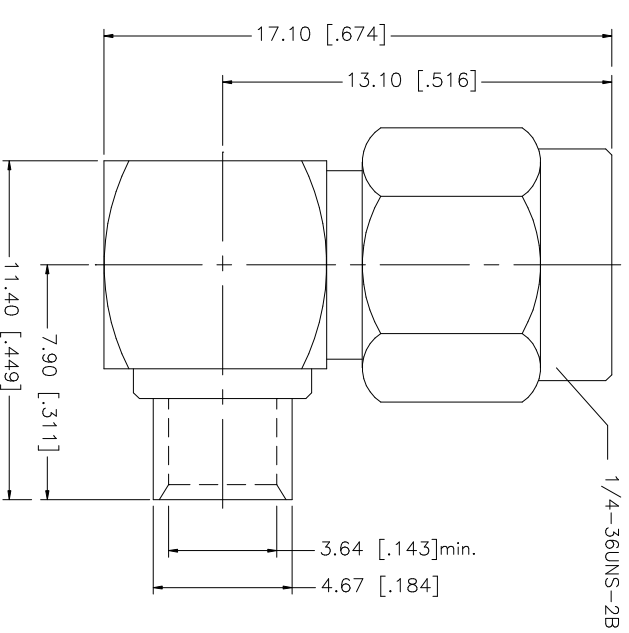
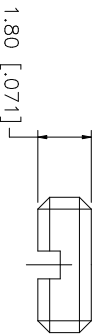


REV.	DATE	DESCRIPTION
NC	10/08/02	INITIAL RELEASE
A	05/01/04	UPDATE DRAWING FORMAT
B	12/01/05	CHANGE COVER TO PASSIVATED S.S.



RECOMMENDED
CABLE STRIPPING DIM'S



NOTE:
1) CONTACT PIN TO SOLDER

UNLESS OTHERWISE SPECIFIED, DIMENSIONS ARE IN MILLIMETERS. DIMENSIONS IN [] ARE IN INCHES AND FOR CUSTOMER REFERENCE ONLY. TOLERANCES FOR MILLIMETERS ARE:	UNLESS OTHERWISE SPECIFIED, DIMENSIONS ARE IN INCHES. DIMENSIONS IN [] ARE IN MILLIMETERS. DIMENSIONS IN [] ARE IN INCHES AND FOR CUSTOMER REFERENCE ONLY. TOLERANCES FOR INCHES ARE:	APPROVALS	DATE	PART DESCRIPTION
0.5 - 8mm ± 0.20mm	0.020 - .315 = ± 0.007"	DRAWN	12/01/05	SMA R/A DIRECT SOLDER PLUG (FOR .141" SEMI-RIGID CABLE)
8 - 30mm ± 0.40mm	.315 - 1.180 = ± 0.015"	CHECKED		
30 - 120mm ± 0.50mm	1.180 - 4.724 = ± 0.020"	ISSUED		
COVER	PASSIVATED S.S.	SHEET	1 OF 1	PART NO. 132201
CONTACT PIN	BER. COPPER	CAD FILE	C:/132/132201.DWG	DWG. NO. 132201.DWG
INSULATOR	TEFLON	REV.	B	SIZE
HOUSING/BODY	BRASS	A		A
DESCRIPTION	MATERIAL	SCALE		NA

Amphenol Connex