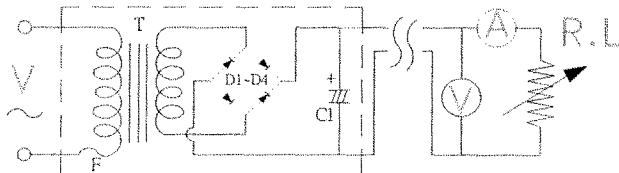
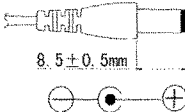
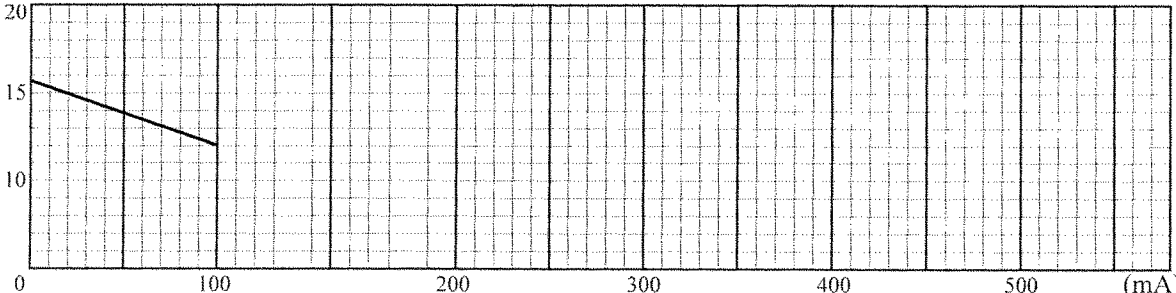
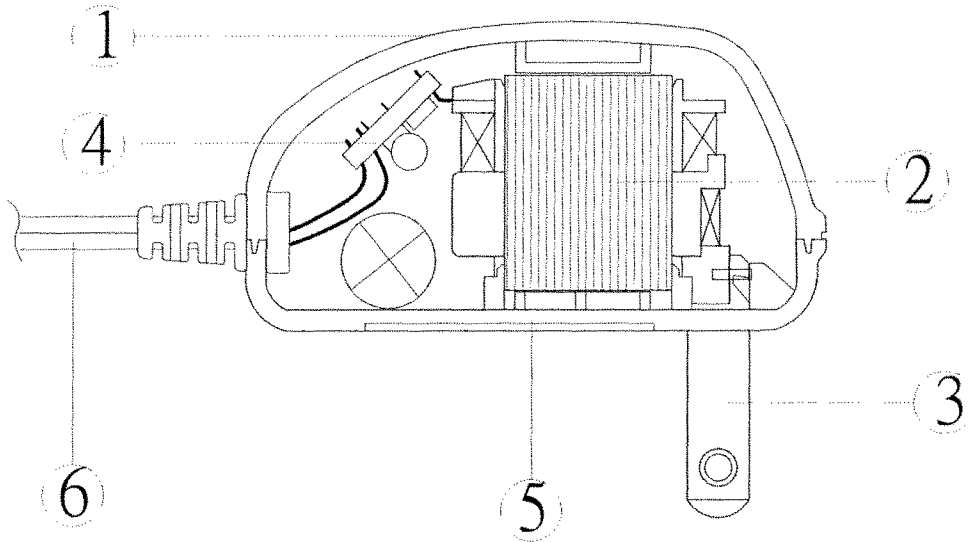


### TEST DATA

| ITEM   | SPEC         | SAMPLE            |       |  |    |   |   |   |   |   |    |
|--|--------------|-------------------|-------|--|----|---|---|---|---|---|----|
|  |              | 1                 | 2     | 3  | 4  | 5                                       | 6 | 7 | 8 | 9 | 10 |
| Primary Exciting Current<br>Input 120VAC , 60 Hz                                     | 40 mA<br>max | 20                | 20    | 21   |    |   |   |   |   |   |    |
| Primary Load Current<br>Input 120VAC , 60 Hz   | 55 mA<br>max | 27                | 28    | 28   |    |   |   |   |   |   |    |
| Secondary No Load<br>DC Voltage  | 15.5V<br>±5% | 16.2              | 16.27 | 16.24  |    |   |   |   |   |   |    |
| Secondary DC Voltage<br>Load 100 mA  | 12V<br>±5%   | 11.9              | 11.9  | 11.92  |    |   |   |   |   |   |    |
| Secondary Voltage<br>Load mA   | V<br>± %     |                   |       |  |    |   |   |   |   |   |    |
| Secondary Voltage<br>Load mA   | V<br>± %     |                   |       |  |    |   |   |   |   |   |    |
| Secondary Voltage<br>Load mA   | V<br>± %     |                   |       |  |    |   |   |   |   |   |    |
| Secondary Voltage<br>Load mA   | V<br>± %     |                   |       |  |    |   |   |   |   |   |    |
| Ripple Voltage<br>Load 100 mA (PK-PK)  | 1V<br>max    | 0.5               | 0.5   | 0.5  |    |   |   |   |   |   |    |
| Hi-Pot Test<br>3 mA for<br>3Sec.   | Pri. to Sec. | 2K VAC            | OK    | OK   | OK |   |   |   |   |   |    |
|  | Pri. to Core | 2K VAC            | OK    | OK   | OK |   |   |   |   |   |    |
|  | Sec. to Core | 1.5K VAC          | OK    | OK   | OK |   |   |   |   |   |    |
| Temperature Rise: 70°C MAX measured By Resistance Method (Primary Winding)           |              |                   |       |  |    |   |   |   |   |   |    |
| Core Film: SPLIT   |              |                   |       |  |    | Core : EI-28                            |   |   |   |   |    |
| Testing Circuit:   |              | 1000uF/25V        |       |  |    | Output Plug Drawing:<br>PLUG:3.5*1.35mm |   |   |   |   |    |
|   |              |                   |       |  |    |   |   |   |   |   |    |
| Output conductor length:   |              | 6FT min (AWG#24 ) |       |  |    |   |   |   |   |   |    |
| Input conductor length:  |              | ft min (AWG# )    |       |  |    |   |   |   |   |   |    |
| (V) <b>Characteristic Curve</b>  |              |                   |       |  |    |   |   |   |   |   |    |
|  |              |                   |       |  |    |   |   |   |   |   |    |

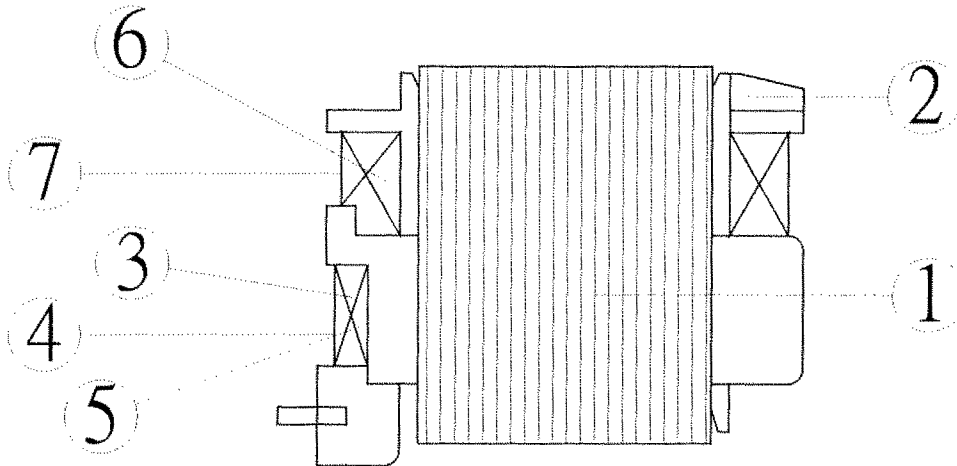
### Internal Construction Drawing and Parts List (Unit: Set or EA)



| Part Name                             | Specification             | Q'ty |
|---------------------------------------|---------------------------|------|
| 1. Enclosure                          | Noryl SE1 94V-0 105°C     |      |
|                                       | Noryl SE-100 94V-0 95°C   |      |
|                                       | Noryl PX1700 94V-0 95°C   |      |
|                                       | 940(f1) 94V-0 130°C       |      |
| 2. Transformer                        | EI-28                     | 1    |
| 3. Blade                              | Ni plated brass           | 2    |
| <b>4. Print Wiring Board Assembly</b> |                           |      |
| Print Wiring Board                    | 04V0 94V-0 130°C          | 1    |
|                                       | 11 94V-0 105°C            |      |
|                                       | 13 94V-0 130°C            |      |
|                                       | BF-3 94V-0 130°C          |      |
| Diode                                 | 1A 400-700V IN4004-IN4007 | 4    |
| Capacitor                             | 1000uf 25V 85°C           | 1    |
| 5. Name Plate                         | Polyester Film            | 1    |
| 6. Output Cord                        | AWG# 24 6FT min           | 1    |
|                                       |                           |      |

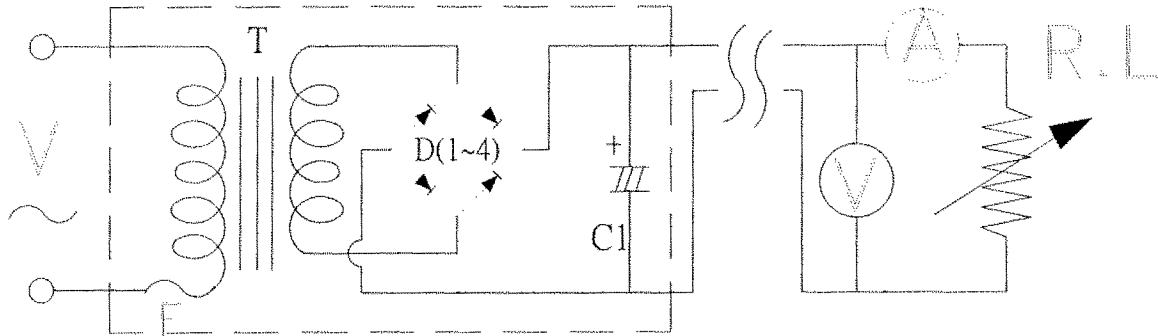


### Construction Drawing and Details of Transformer



| Part Name                  | Material & Type                      | Spec or Q'ty      |
|----------------------------|--------------------------------------|-------------------|
| 1. Core                    | Silicon Steel                        | 0.5mm             |
|                            | Polybutylene Terephthalate           |                   |
| 2. Bobbin                  | 1403G6                               | 0.71mm            |
|                            | PETP(QMFZ2)                          |                   |
|                            | FR-530, FR530L                       |                   |
| 3. Primary Winding         | Nylon 101L                           | mm<br>turn<br>ohm |
|                            | Polyurethane Enameled<br>Copper wire |                   |
| 4. Primary Outer Winding   | Mylar Tape                           | 0.025mmx2T        |
| 5. Thermal Fuse            | K3 125°C 2A 250VAC                   | 1PCS              |
|                            | M30 125°C 2A 250VAC                  |                   |
| 6. Secondary Winding       | Polyurethane Enameled<br>Copper Wire | mm<br>turn<br>ohm |
| 7. Secondary Outer Winding | Mylar Tape                           | 0.025mmx2T        |

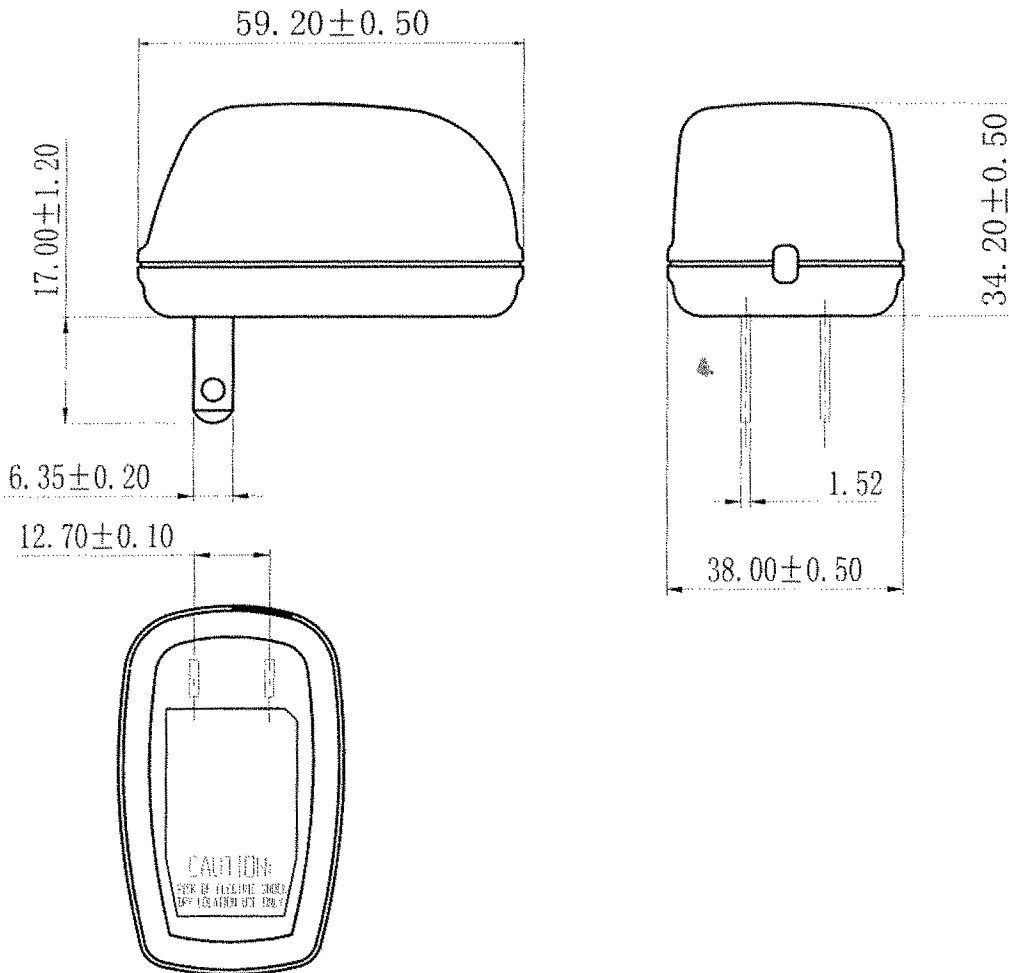
## Circuit Diagram

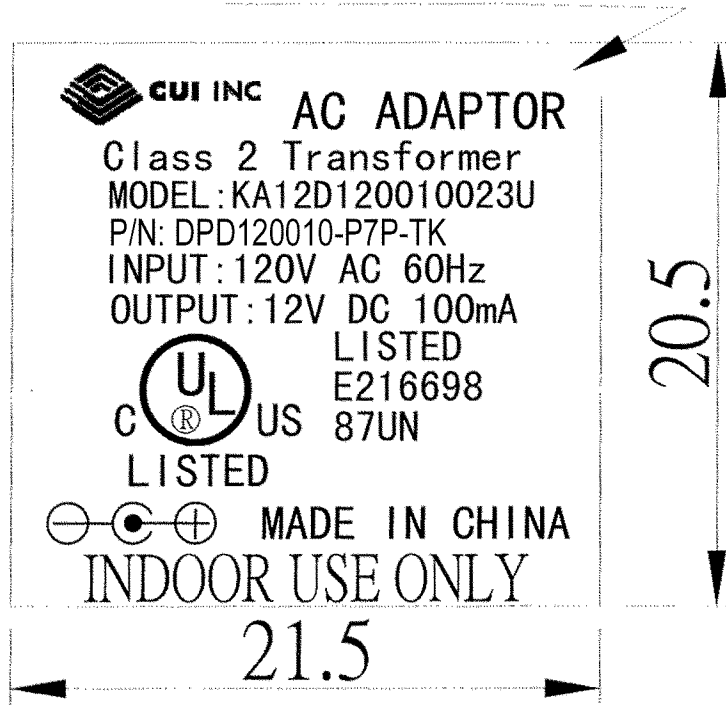


| Symbol | Part Name   | Note                      |
|--------|-------------|---------------------------|
| T      | Transformer | EI-28                     |
| D(1~4) | Diode       | 1A 400-700V IN4004-IN4007 |
| C1     | Capacitor   | 1000uF 25V 85°C           |
| F1     | Thermal     | 125°C 2A 250V             |



### Appearance Drawing (Unit:mm)



**Dimension of Nameplate (Unit:mm)****C2X45°**

Material: Polyester Film

T: 0.25mm