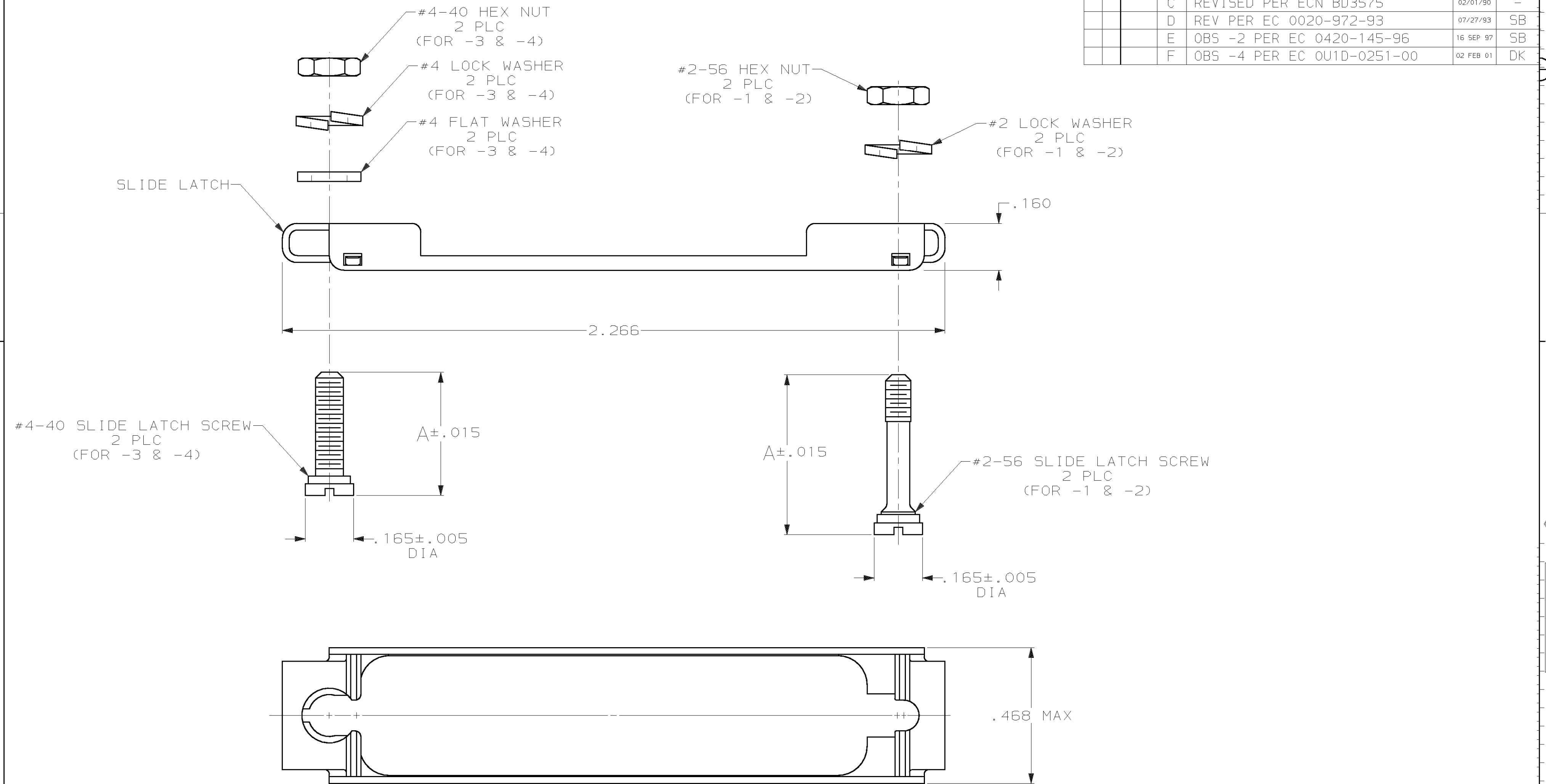


THIS DRAWING IS UNPUBLISHED. RELEASED FOR PUBLICATION, 19 .
 © COPYRIGHT 19 BY AMP INCORPORATED. ALL INTERNATIONAL RIGHTS RESERVED.

LOC	DIST	P	F	ZONE	LTR	DESCRIPTION	DATE	APPD
BD	0				B	REVISED & REDRAWN PER ECN-2364	8-16-88	JLS
					C	REVISED PER ECN BD3575	02/01/90	-
					D	REV PER EC 0020-972-93	07/27/93	SB
					E	OBS -2 PER EC 0420-145-96	16 SEP 97	SB
					F	OBS -4 PER EC 0U1D-0251-00	02 FEB 01	DK



1. PARTS PACKAGED UNASSEMBLED.
2. PARTS PACKAGED AS A UNIT KIT.
3. PARTS INDIVIDUALLY BULK PACKAGED & SHIPPED AS A UNIT PACKAGE.
4. ZINC PLATED PER ASTM B633, TYPE III, CLASS SCI, CLEAR CHROMATE.
5. ZINC PLATED PER ASTM B633, TYPE II, CLASS SCI, YELLOW CHROMATE.
6. THIS KIT CAN BE USED WITH TWO-PIECE STRAIGHT/90° EXIT CABLE CLAMPS, RFI/EMI CABLE CLAMPS OR UNIVERSAL CABLE CLAMPS.
7. THIS KIT CAN BE USED WITH STRAIGHT/45° EXIT ONE-PIECE CABLE CLAMPS, STRAIGHT/90° EXIT ONE-PIECE CABLE CLAMPS, OR ON CONNECTORS WITHOUT CABLE CLAMPS.

OBSOLETE	.415	5	#4-40	3	7	745584-4
	.415	5	#4-40	2	7	745584-3
OBSOLETE	.547	4	#2-56	3	6	745584-2
	.547	4	#2-56	2	6	745584-1

		A	HARDWARE FINISH	THREAD TYPE	PACKAGING	PART NO
DO NOT SCALE PRINT. UNLESS SPECIFIED DIMENSIONS IN INCHES TOLERANCES ON:		DR 8-12-88 L SIPE				
2 PLC DEC ± -		CHK 8-12-88 W LENKER				
3 PLC DEC ± .010		APPD 8-15-88 R WHYNE				
ANGLES ± -		APPD 8-16-88 J SHOWERS				
MATERIAL		PRODUCT SPEC				
SLIDE LATCH: STAINLESS STEEL						
HARDWARE: STEEL PER ASTM A108						
FINISH		APPLICATION SPEC				
HARDWARE: SEE TABLE						
WEIGHT -						

AMP | AMP INCORPORATED
Harrisburg, Pa. 17105

NAME
KIT, SLIDE LATCH, SIZE 3, 25 POSITION, AMPLIMITE®

SIZE **C** FSCM NO 00779 DRAWING NO 745584
 SCALE 4:1 SHEET 1 OF 1