

4

3

2

1

THIS DRAWING IS UNPUBLISHED.

RELEASED FOR PUBLICATION

---

© COPYRIGHT BY TYCO ELECTRONICS CORPORATION.

ALL INTERNATIONAL RIGHTS RESERVED.

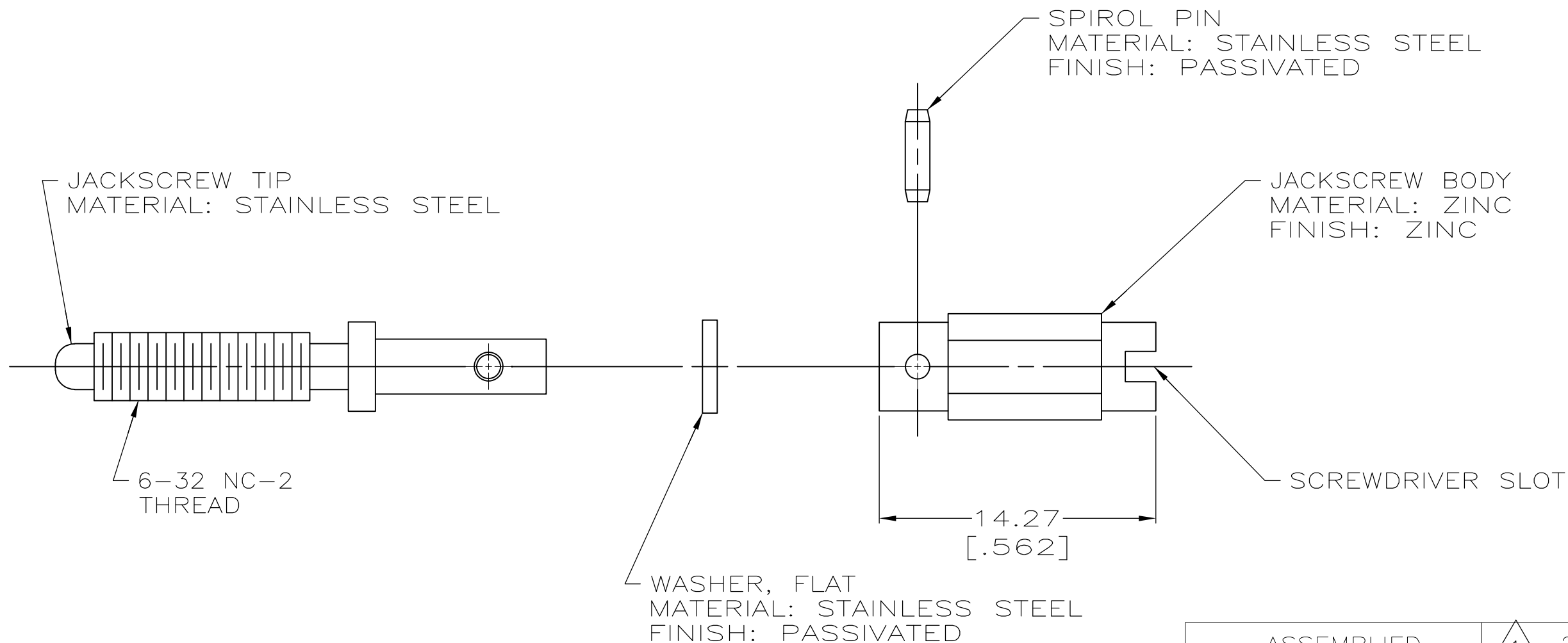
LOC  
BD DIST  
36

P LTR

REVISIONS

DESCRIPTION	DATE	DWN	APVD
G ADDED -3 PER ECR 09-022242	19OCT09	JR	GS

△ 1 PRELIMINARY PART NUMBER



ASSEMBLED	△ 1 203535-3
BULK	203535-2
PACKAGING TYPE	PART NUMBER

THIS DRAWING IS A CONTROLLED DOCUMENT.		DWN C.DORWART 25 SEP 95	Tyco Electronics Corporation Harrisburg, PA 17105-3608	
DIMENSIONS: MM [ INCHES ]		CHK R.STONE 28 SEP 95	NAME	
TOLERANCES UNLESS OTHERWISE SPECIFIED:		APVD G.STEINHAUER 04 OCT 95	MALE JACKSCREW ASSEMBLY FOR GROUNDING CONNECTOR SHORT-SHORT, UNASSEMBLED, M SERIES	
0 PLC ± -		PRODUCT SPEC	SIZE	
1 PLC ± -		APPLICATION SPEC	CAGE CODE	DRAWING NO
2 PLC ± 0.38 [.015]		WEIGHT	A3 00779	G-203535
3 PLC ± -		CUSTOMER DRAWING	SCALE	SHEET
4 PLC ± -			4:1	1 OF 1
ANGLES ± -			REV	G
MATERIAL SEE CALLOUTS				
FINISH SEE CALLOUTS				