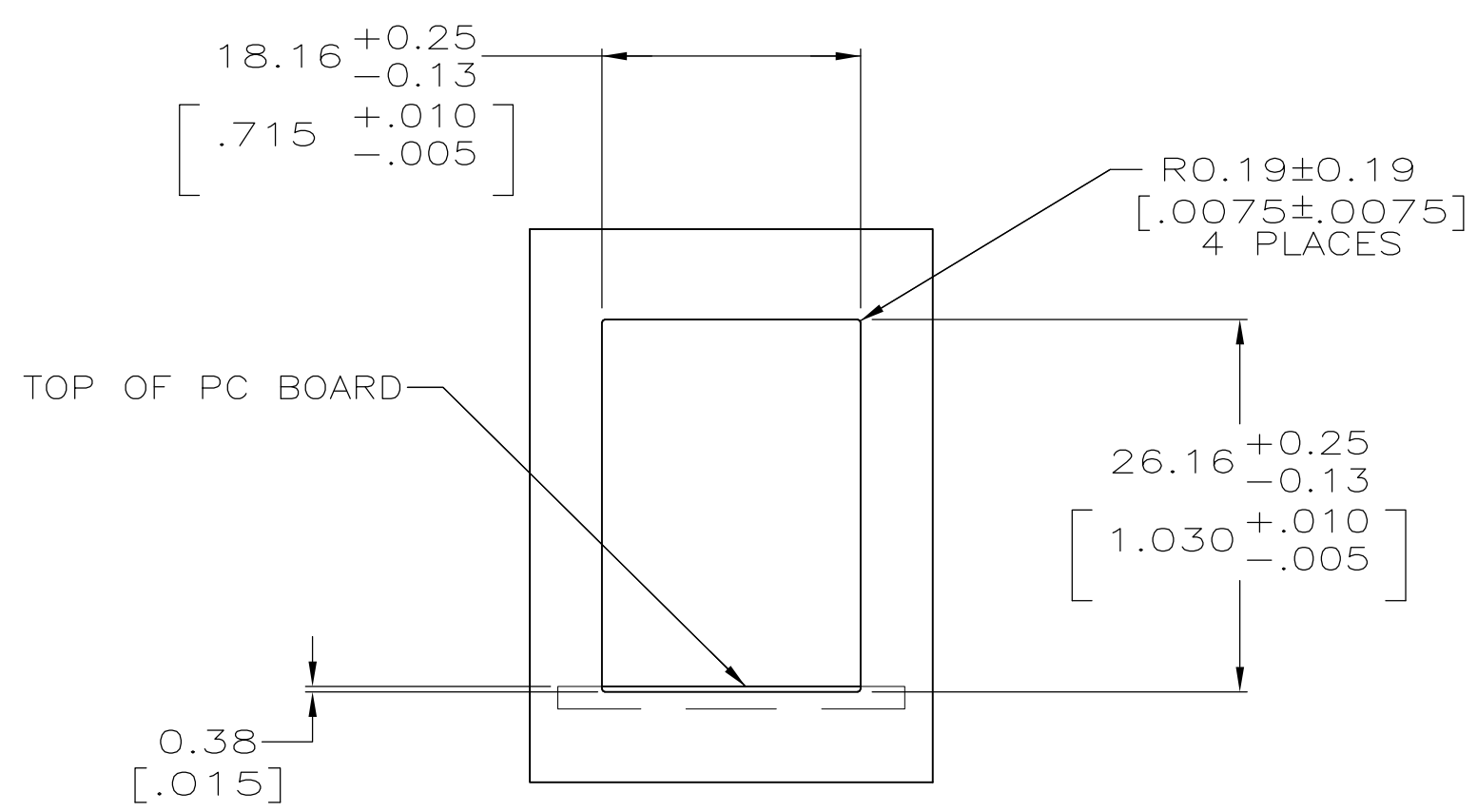
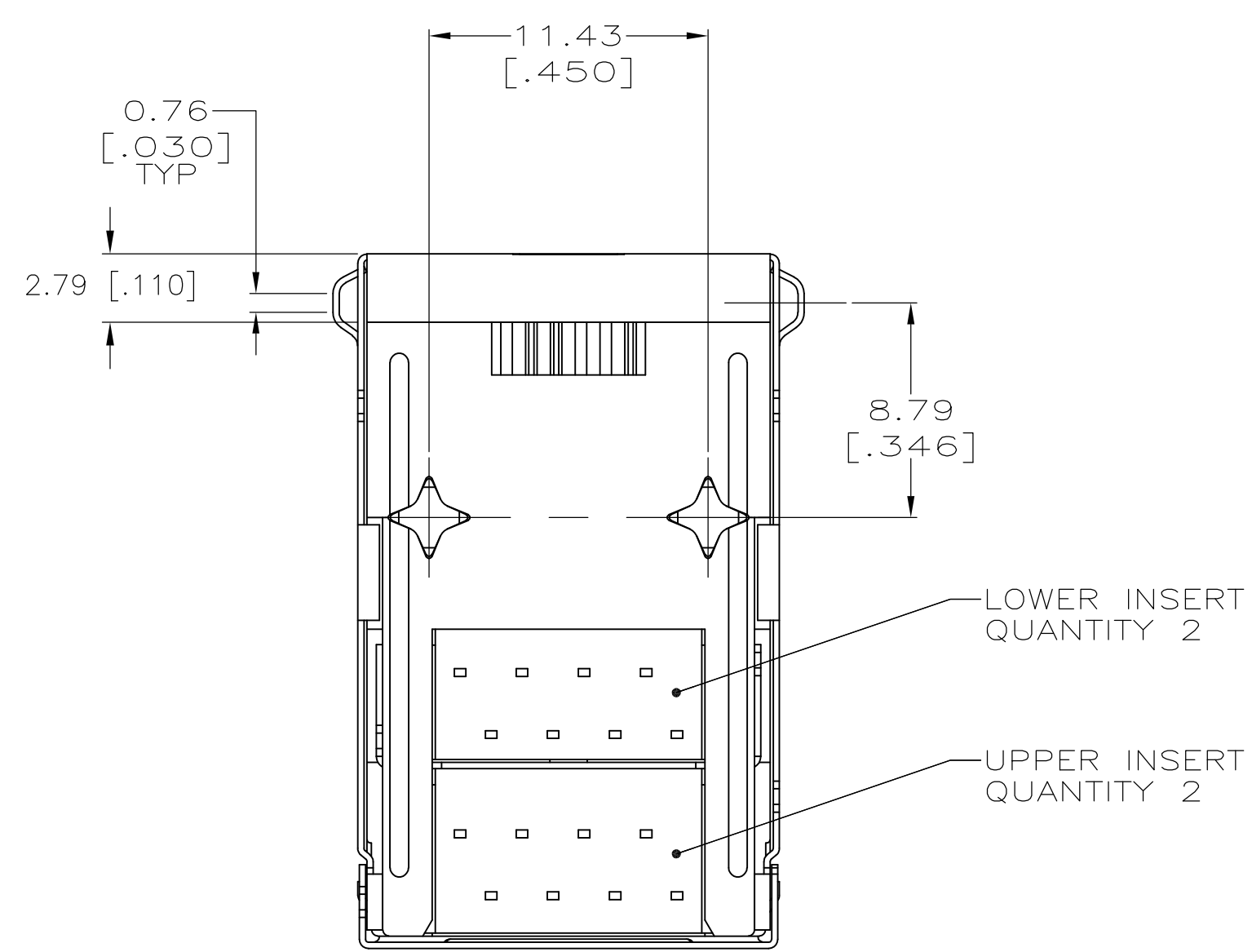
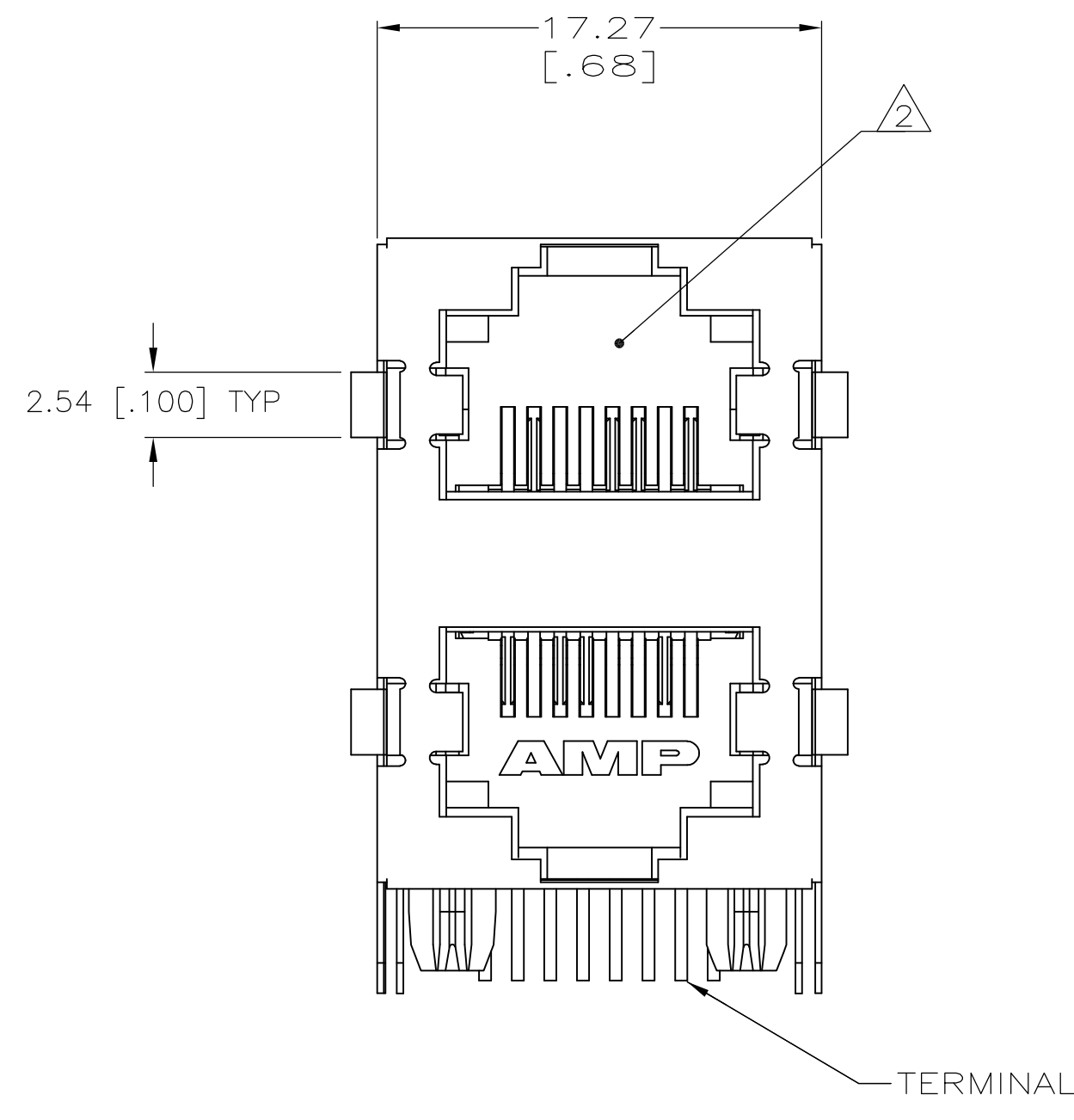
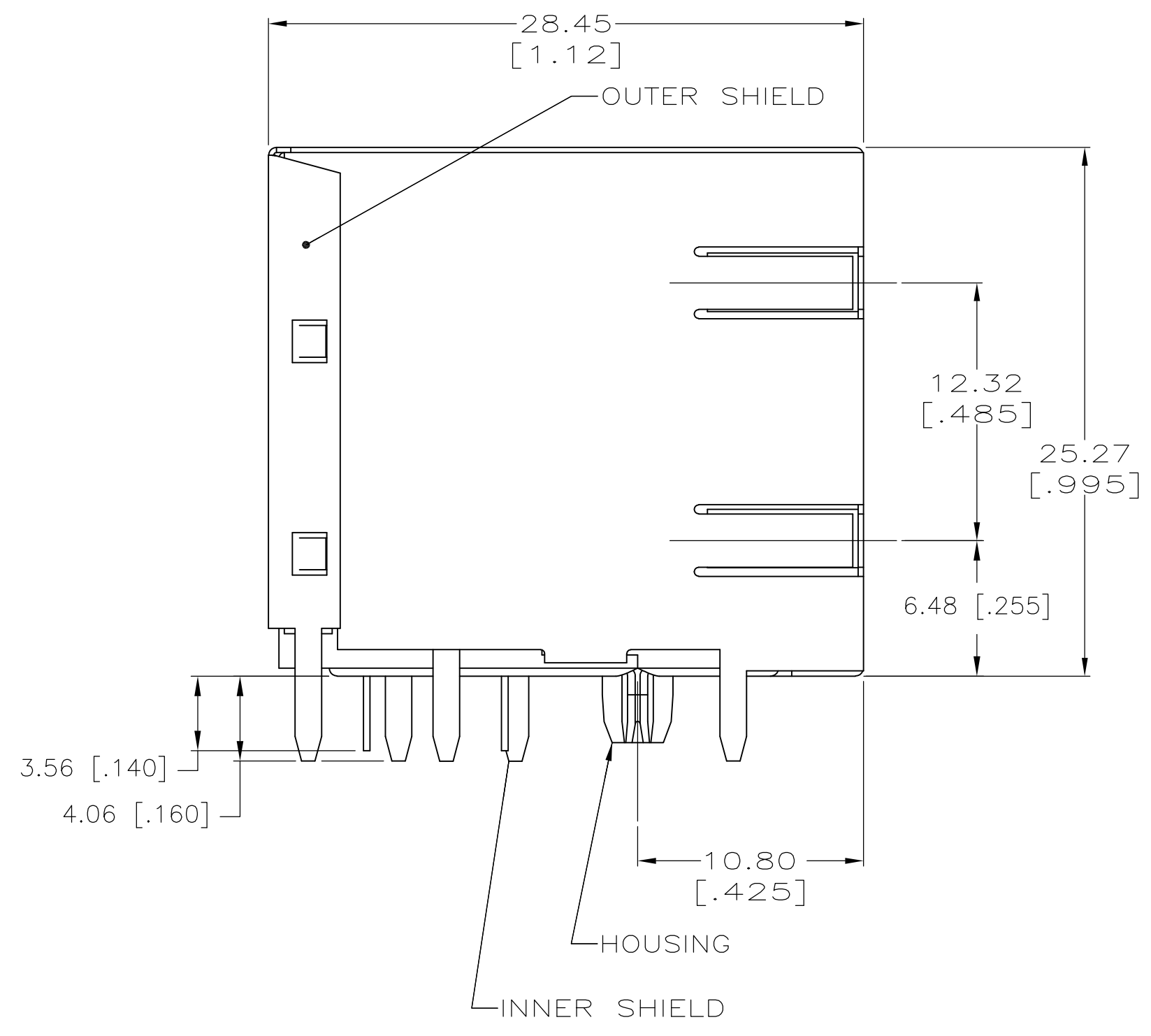
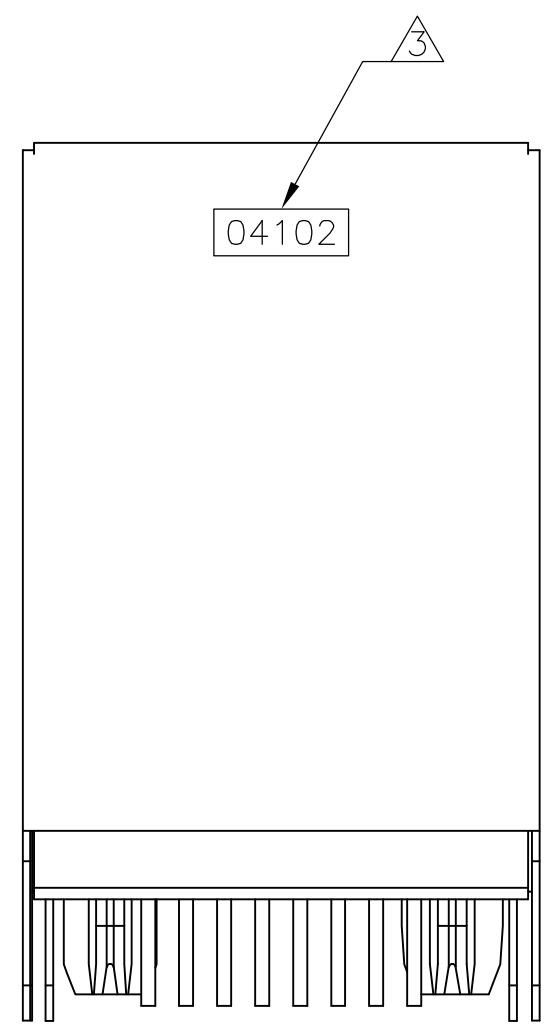
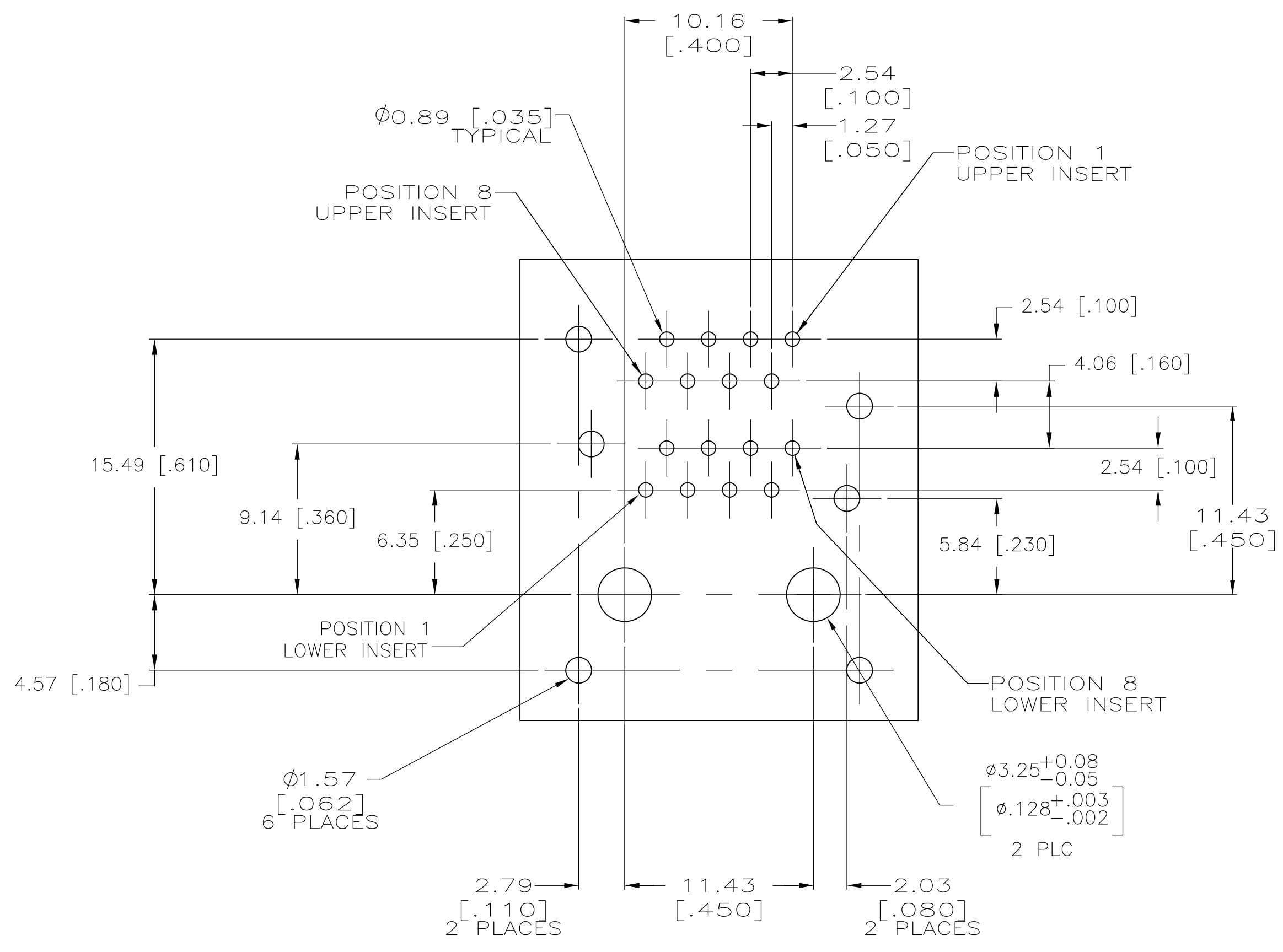


LOC		DIST		REVISIONS			
P	LTR	DESCRIPTION	DATE	DWN	APVD		
B1	REV PER	ECR-08-009376	6MAY2008	DZ	SY		



SUGGESTED PANEL CUTOUT DIMENSIONS
SCALE 2:1



PC BOARD LAYOUT VIEWED FROM COMPONENT SIDE

- MATERIAL:
 HOUSING - PCT POLYESTER, BLACK, UL94V-0.
 OVERMOLDED TERMINAL ARRAY - HIGH TEMPERATURE NYLON, COLOR: NATURAL
 TERMINALS - 0.33 [.013] THICK PHOS BRONZE PLATED WITH 1.27um [.000050] MIN THICK HARD GOLD IN LOCALIZED AREA AND 3.81um [.000150] MIN THICK MATTE TIN IN SOLDER AREA OVER 1.27um [.000050] MIN THICK NICKEL UNDERPLATE.
 INNER SHIELD - 0.25 [.010] THICK COPPER ALLOY PLATED WITH 2.03um [.000080] MIN BRIGHT TIN OVER 1.27um [.000050] MIN NICKEL.
 OUTER SHELL - 0.25 [.010] THICK COPPER ALLOY PLATED WITH 1.27um [.000050] MIN NICKEL. PCB GROUND TABS DIPPED WITH 2.03um [.00080] MIN TIN
- JACK CAVITY CONFORMS TO FCC RULES AND REGULATIONS, PART 68 SUBPART F.
- DATE CODE LOCATED ON REAR OF PART APPROXIMATELY AS SHOWN:
 FIRST 2 DIGITS ARE LAST 2 DIGITS OF YEAR, SECOND 2 DIGITS ARE MANUFACTURING WORK WEEK, LAST DIGIT IS DAY OF WEEK, WITH SUNDAY = 1.
- PARTS PACKAGED IN SEALED BAGS WITH DESICCANT
- PARTS SUITABLE FOR LEAD FREE REFLOW PROCESSING TO 260° C
- THIS PRODUCT HAS NOT COMPLETED VALIDATION TESTION, SO THE STATUS IS PRELIMINARY.

2007022-1
PART NUMBER

THIS DRAWING IS A CONTROLLED DOCUMENT.		DWN T. SPRINKLE / A. MAYER 21MAY2005	21MAY2005	Tyco Electronics Corporation Harrisburg, Pa 17105-3608	
DIMENSIONS: mm [INCHES]		CHK J. WESTMAN 21MAY2005	21MAY2005	NAME S. SLEICKINGER	
TOLERANCES UNLESS OTHERWISE SPECIFIED:		APVD S. SLEICKINGER	21MAY2005	PRODUCT SPEC 108-1163-2	
0 PLC ± -				APPLICATION SPEC 114-2048	
1 PLC ± -				SIZE A1	
2 PLC ± 0.25[.01]				CAGE CODE 00779	
3 PLC ± 0.13[.005]				DRAWING NO 2007022	
4 PLC ± -				RESTRICTED TO	
ANGLES ± -				CUSTOMER DRAWING	
MATERIAL SEE NOTE 1		FINISH SEE NOTE 1		WEIGHT -	
				SCALE 4:1 SHEET 1 OF 1 REV B1	