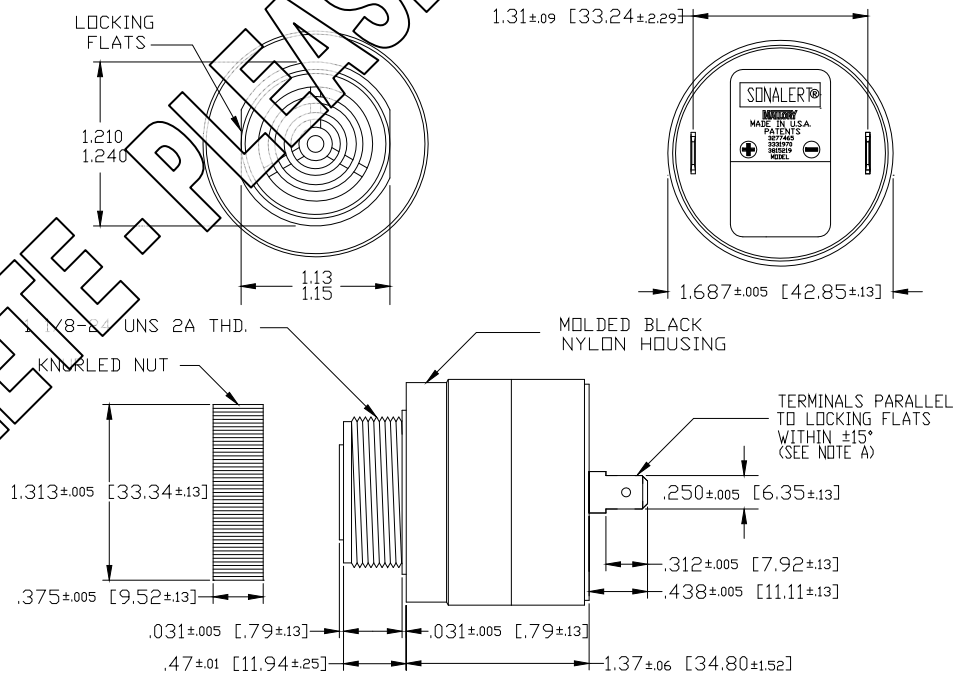


Specifications:

Sound level Category	Loud Sound Level
Mode of Operation	Fast Pulse
Mounting	Panel (see note B)
Voltage Rating	6 to 16 Vdc
Frequency Range	2900 Hz \pm 500 Hz
Loudness (Min. Voltage)	80 dB(A) min. @ 2 FT and 6 Vdc
Loudness (Max Voltage)	95 dB(A) min. @ 2 FT and 16 Vdc
Current Draw	6 mA Max @ 6 Vdc
Current Draw	18 mA Max @ 16 Vdc
Min Time Duration (S)	8
Max Time Duration (S)	12
Min Pulse Rate (PPS)	2.0
Max Pulse Rate (PPS)	10
Duty Cycle (%)	50 (Approx)
Storage Temperature	-40°C to +85°C
Operating Temperature	-30°C to +55°C
Weight (Typical)	2.1 g (0.075 oz)
Housing	Molded Black Nylon Color Black
Options	For other options contact factory

Dimensions: Inches (mm)



NOTE A: TERMINALS-.032 BRASS, TIN PLATED WITH .070 DIA. WIRE HOLE. WILL ACCEPT 1/4" QUICK CONNECT.

NOTE B: MOUNTING- REMOVE BLACK PLASTIC NUT AND INSERT THREADED FRONT THROUGH 1.25" HOLE PUNCHED IN PANEL, IF ORIENTATION IS NEEDED, NOTE LOCKING FLATS ON DRAWING. SCREW NUT BACK ON. DO NOT OVERTIGHTEN.