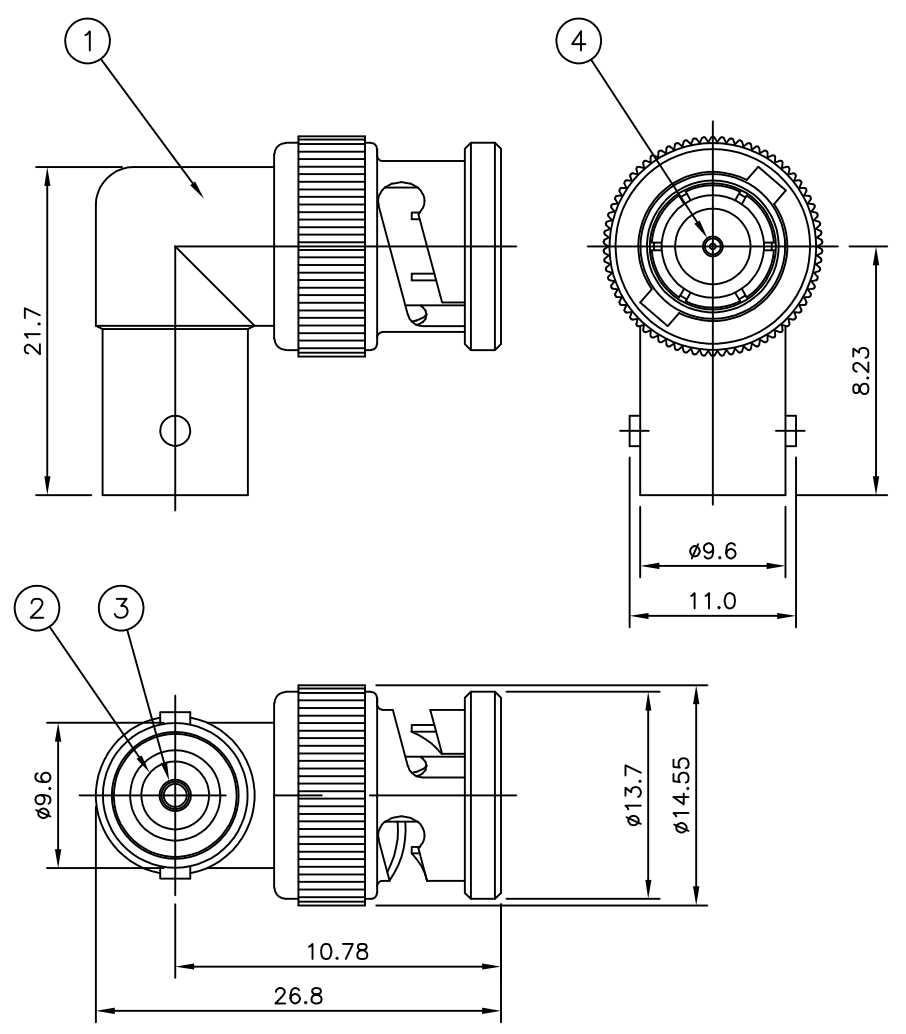


THIS DRAWING IS UNPUBLISHED. RELEASED FOR PUBLICATION MAR , 2006.  
 © COPYRIGHT 2006 By - ALL RIGHTS RESERVED.

LOC	DIST	REVISIONS			
P	LTR	DESCRIPTION	DATE	DWN	APVD
E	B	B1	REVISED PER ECO-11-005033	01APR11	RK HMR
		C	REVISED PER ECO-12-010042	29MAY2012	TITAN MARTIN

- NOTES**
- 1 100 TRAY PACK IN ACCORDANCE WITH AMP SPEC 107-3275
  - 2 SINGLE PACK IN ACCORDANCE WITH AMP SPEC 107-3275
  - 3 Au PLATING
  - 4 Ni PLATING
  - 5. FOR TECHNICAL DATA REFER TO YOUR LOCAL TE CONNECTIVITY SALES OFFICE
  - 6. ALL DIMENSIONS ARE NOMINAL FOR REFERENCE ONLY UNLESS OTHERWISE STATED



QTY	PLC	DESCRIPTION	MATERIAL	ITEM
1	1	MALE CONTACT	BRASS	4
1	1	FEMALE CONTACT	PHOS BRONZE	3
1	1	INSULATOR	PE-606	2
1	1	BODY	ZINC ALLOY	1
5--1	5--0		MATERIAL	DESCRIPTION
				ITEM

QUANTITY PER ASSY      PARTS LIST

THIS DRAWING IS A CONTROLLED DOCUMENT.		DWN RITA ZUO 10 Mar 09	TE Connectivity <b>BNC ELBOW ADAPTOR PLUG - JACK</b> 50 OHMS				
DIMENSIONS: mm		CHK ANSON MA 10 Mar 09				NAME	
TOLERANCES UNLESS OTHERWISE SPECIFIED:		APVD BOB ZHAO 10 Mar 09				PRODUCT SPEC	
0 PLC ± 0.5 1 PLC ± 0.3 2 PLC ± 0.2 3 PLC ± - 4 PLC ± - ANGLES ± -		APPLICATION SPEC					
MATERIAL SEE TABLE		FINISH -	WEIGHT -	SIZE A3	CAGE CODE 00779		
			DRAWING NO C-1634526	RESTRICTED TO -			
CUSTOMER DRAWING			SCALE NTS	SHEET 1 OF 1	REV C		