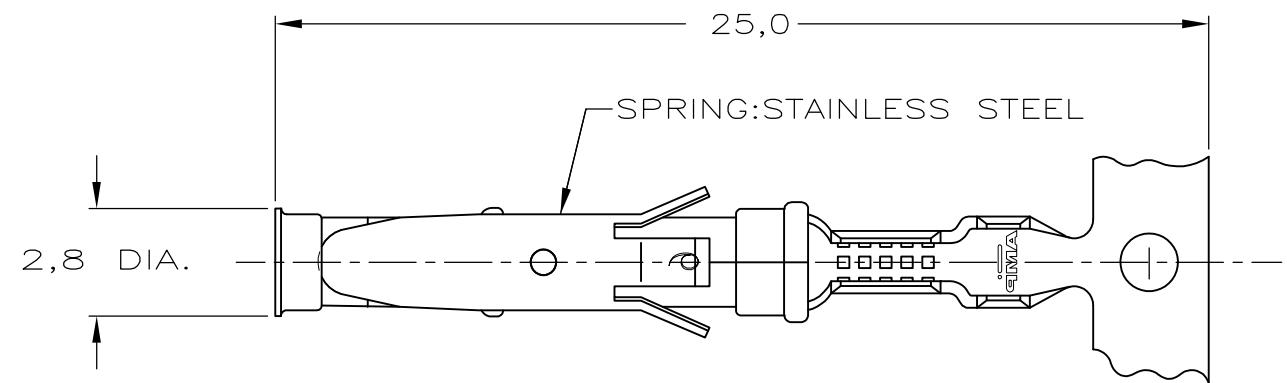
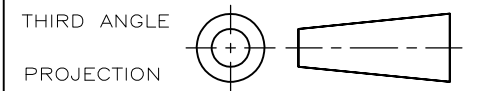
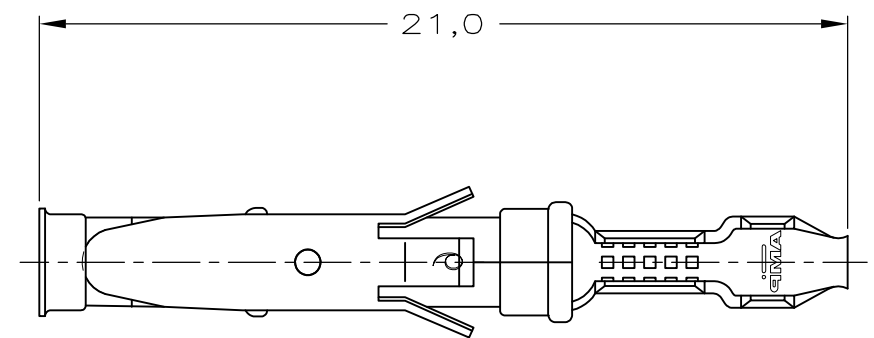


DO NOT SCALE  
DIMENSIONS IN mm

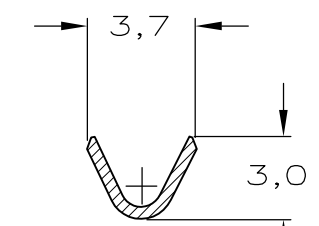
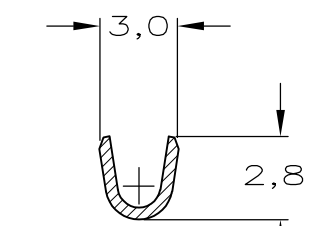
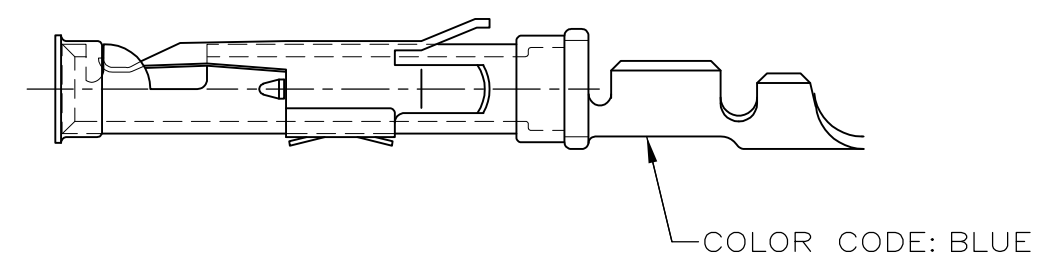
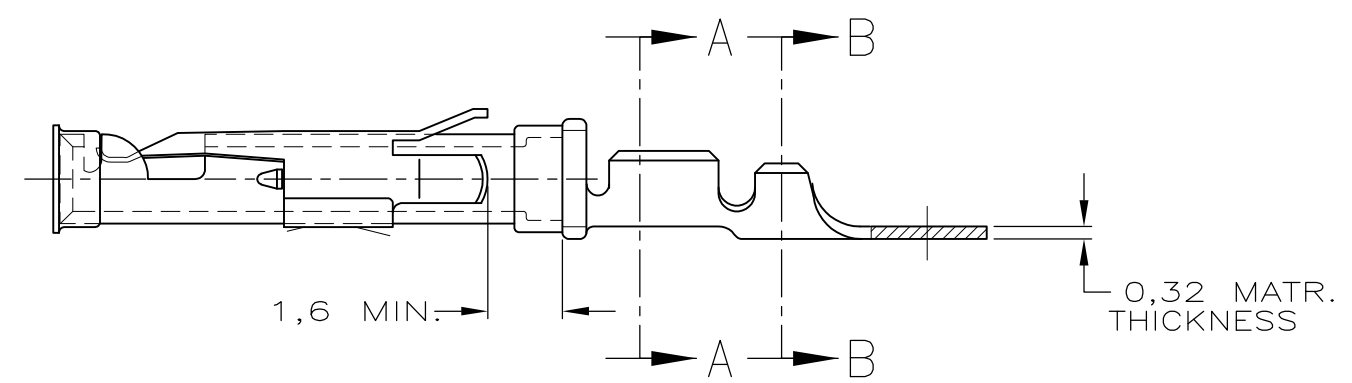
METRIC



STRIP



LOOSE-PIECE



WIRE RANGE : 0,75-1,50 mm<sup>2</sup> (18-16 AWG)  
INSUL. RANGE : 2,0 -2,5 mm (.080-.100)

NOTES :

- FOR CRIMPDETAILS SEE AMP-SPEC. 114-19.000 .
- MEETS PRODUCTSPECIFICATION 108-10042.
- OBsolete PARTS: OBSOLETE CIS STREAMLINING PER D.RENAUD/D.SINISI

DIRECTION OFF TOP OF REEL							
AMPOMATOR + MINI-APPL. 107-3-FIG.1	A	△3 163767-6	A	PH.BRONZE	SILVER	△28	
		163767-5	A	PH.BRONZE	SEL.GOLD	△22	
107-3-FIG.2	B	163767-4	A	PH.BRONZE	EL.TIN	△20	
		△3 163767-3	B	164840-3	PH.BRONZE	SILVER	△28
		163767-2	B	164840-2	PH.BRONZE	SEL.GOLD	△22
		163767-1	B	164840-1	PH.BRONZE	EL.TIN	△20
		PARTNUMBER	DIRECTION OF REEL	LOOSE-PIECE	MATERIAL	PLATING	

CUSTOMER DRAWING

FOR REFERENCE ONLY  
WILL NOT BE UPDATED

**AMP** AMP-HOLLAND B.V.  
's-Hertogenbosch, The Netherlands.

THIS DRAWING IS UNPUBLISHED | RELEASED FOR PUBLICATION AUG., 1987

© COPYRIGHT 1987 BY AMP-HOLLAND B.V.  
ALL INTERNATIONAL RIGHTS RESERVED.  
AMP PRODUCTS MAY BE COVERED BY U.S. AND FOREIGN PATENTS AND/OR PATENTS PENDING.

NOTES	MATERIAL	THICKNESS	AREA
△20	TIN	2,0 μm	ALL OVER
△21	NICKEL GOLD TIN/LEAD	0,8 μm	ALL OVER CONTACT AREA BARREL
△22	NICKEL GOLD GOLD	0,8 μm	ALL OVER CONTACT AREA ALL OVER
△23	NICKEL GOLD GOLD	1,2 μm	ALL OVER CONTACT AREA ALL OVER
△24	NICKEL SILVER TIN/LEAD	2,5 μm	ALL OVER CONTACT AREA BARREL
△25	SILVER	0,5 μm	ALL OVER
△26	SILVER	2,5 μm	ALL OVER

DR. L.V.D.HEYDEN	DATE 19.08.1987	WIRE RANGE -	NAME SOCKET TYPE III CONTACT + SIZE 16	REV.DATE D M Y 20 09 88
CHK. P.V.D.HAGEN	DATE	INSUL.RANGE -		
APP. L.V.SOEST	DATE	SIZE A3	SHEET 1 OF 1	DWG. No. 163767
				REV.LTR. f1

F1	REVISED PER ECO-09-020689	KK	24AUG09
REV.s	ECN No.	DR.	DATE