

FIG 1

COVER TAPE DOT ON TOP OF CONNECTORS

NOTES: UNLESS OTHERWISE SPECIFIED.

1. MATERIAL & FINISH:

- 1.1 BODY: (133-9711-201 & -202) GOLD PLATED COPPER ALLOY
(133-9711-204 & 205) SILVER PLATED COPPER ALLOY
- 1.3 INSULATOR: PTFE (TEFLON)
- 1.4 CENTER CONTACT: (133-9711-201 & -202) GOLD PLATED BERYLLIUM COPPER
(133-9711-204 & 205) SILVER PLATED BERYLLIUM COPPER

2. ELECTRICAL SPECIFICATIONS:

- 2.1 IMPEDANCE: 50 OHMS
- 2.2 FREQUENCY RANGE: 0 - 6 GHz
- 2.3 WORKING VOLTAGE: 335 VRMS MAX AT SEA LEVEL
- 2.4 DIELECTRIC WITHSTANDING VOLTAGE: 1000 VRMS MIN AT SEA LEVEL
- 2.5 INSULATION RESISTANCE: 1000 MEGOHM MIN
- 2.6 CONTACT RESISTANCE:
 CENTER CONTACT - INITIAL 5 MILLIOHM MAX, AFTER ENVIRONMENTAL 8 MILLIOHM MAX
 OUTER CONDUCTOR - INITIAL 1 MILLIOHM MAX, AFTER ENVIRONMENTAL 1.5 MILLIOHM MAX
- 2.7 CORONA LEVEL: 250 VOLTS MIN AT 70,000 FEET
- 2.8 RF HIGH POTENTIAL WITHSTANDING VOLTAGE: 600 VRMS AT 4 AND 7 MHz

3. MECHANICAL SPECIFICATIONS:

- 3.1 ENGAGE/DISENGAGE FORCE: 5.6 LBS MAX ENGAGEMENT
1.0/8.0 LBS MIN/MAX DISENGAGEMENT
- 3.2 CONTACT RETENTION FORCE: 2.0 LBS MIN
- 3.3 DURABILITY: 500 CYCLES MIN

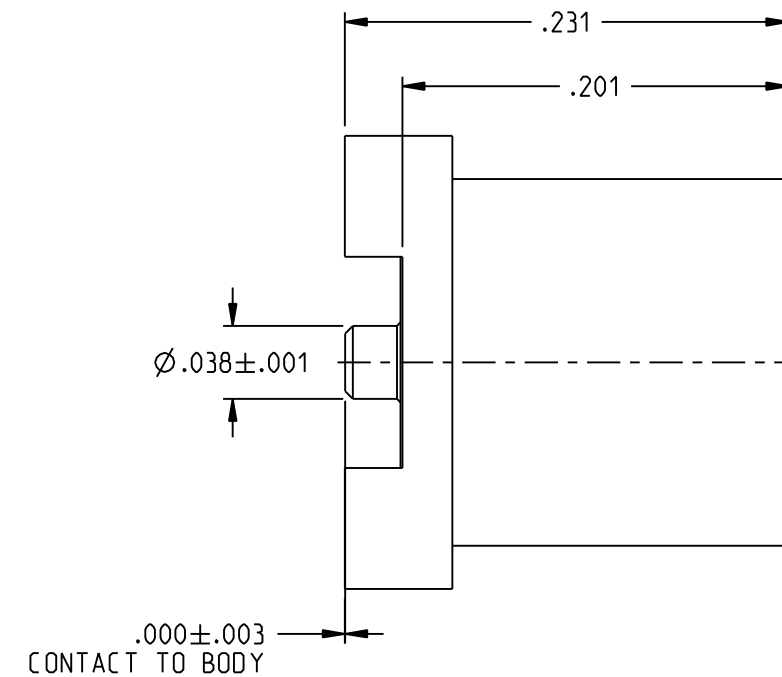
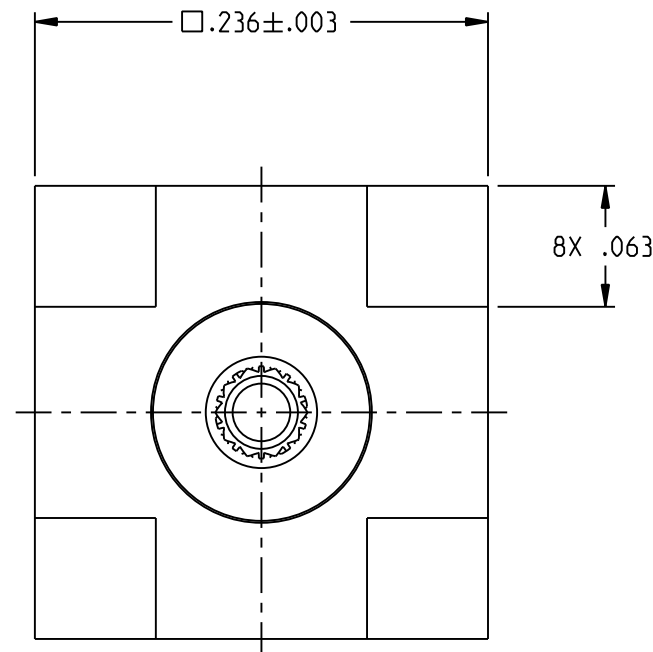
4. ENVIRONMENTAL:

- 4.1 (MEETS OR EXCEEDS THE APPLICABLE PARAGRAPH OF MIL-PRF-39012)
- 4.2 THERMAL SHOCK: MIL-STD-202, METHOD 107, CONDITION F
- 4.3 OPERATING TEMPERATURE: -65 DEG C TO 165 DEG C
- 4.4 CORROSION: MIL-STD-202, METHOD 101, CONDITION B
- 4.5 SHOCK: MIL-STD-202, METHOD 213, CONDITION B
- 4.6 VIBRATION: MIL STD-202, METHOD 204 CONDITION B
- 4.7 MOISTURE : MIL STD-202, METHOD 106

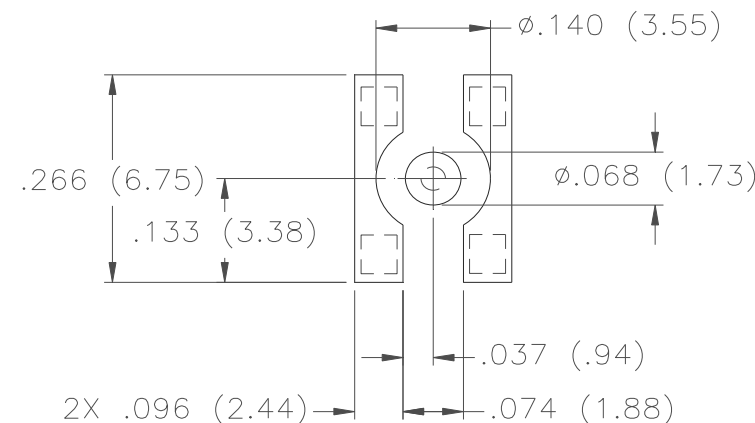
5. PACKAGING:

- 5.1 133-9711-201 & -204: BAGGED
- 5.2 133-9711-202 & -205: TAPE AND REEL PACKAGED, 750 PIECES PER REEL,
16MM X 12MM PITCH TAPE WITH COVER TAPE DOT PER FIG. 1.

6. CONNECTOR MARKED "NM" FOR NON-MAGNETIC.



RECOMMENDED SOLDER LAND PATTERN*



*NOTE: THIS PATTERN IS FOR REFERENCE ONLY. PATTERN MAY VARY DEPENDING ON ASSEMBLY PROCESS, BOARD TYPE, OR SPECIFIC ELECTRICAL OR MECHANICAL REQUIREMENTS.

	3D ANGLE PROJECTION	JOHNSON	
	This PROPRIETARY Document is property of Cinch Connectivity Solutions. It is confidential in nature, non-transferable, and issued with the clear understanding that it is no traced or copied without permission and is returnable upon demand. INTERPRET DRAWING IN ACCORDANCE WITH ASME Y14.5-2009.	RoHS2 <input checked="" type="checkbox"/> 2011/65/EU UNLESS OTHERWISE SPECIFIED UNITS: INCH .XX ± .02 .XXX ± .005 ANGLES ± 2°	Title: JACK ASSY STRAIGHT SURFACE MOUNT NON-MAGNETIC, MCX Model No.: 133-9711-201/210