

THE INFORMATION CONTAINED HEREIN IS CONSIDERED
 "PROPRIETARY" TO BEL FUSE INC. AND SHALL NOT BE
 COPIED, REPRODUCED OR DISCLOSED WITHOUT THE
 WRITTEN APPROVAL OF BEL FUSE INC.

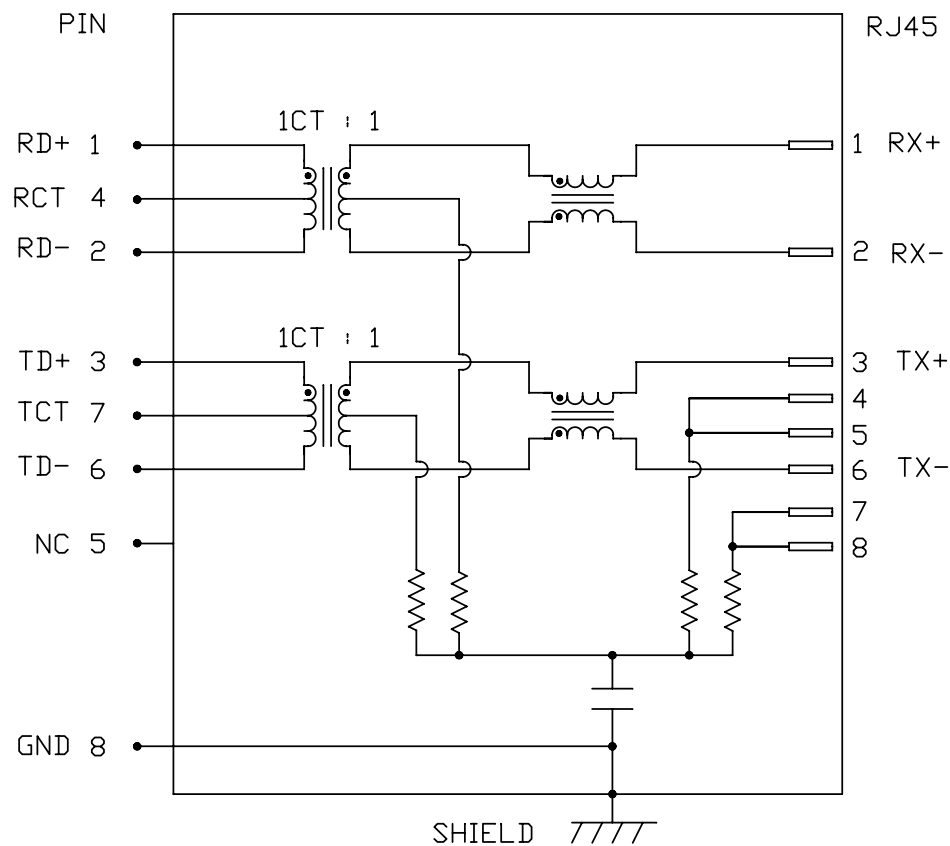
RoHS



ELECTRICAL CHARACTERISTICS @ 25°C

RETURN LOSS (MIN.)		
1MHz-30MHz	-18 dB	
60MHz-80MHz	-12 dB	
INSERTION LOSS		
100KHz TO 100MHz	-1.1 dB	
DC @ 0.1V, 100KHz		
8mA DC BIAS	350µH MIN.	
TURNS RATIO	1CT : 1CT ±3%	
CM TO CM REJ		
100kHz - 100MHz	-35 dB MIN	
CM TO DM REJ		
100kHz - 100MHz	-40 dB MIN	
XTALK		
100KHz TO 100MHz	-35 dB MIN.	

SCHEMATIC



ORIGINATED BY	DATE
CHOW WANCHUNG	2012-07-10
DRAWN BY	DATE
TAN QIGUANG	2012-07-10

TITLE	2X6 MagJack® (4 Cores)
	0811-2X6R-28-F PATENTED

PART NO. / DRAWING NO.	08112X6R28-F
FILE NAME	08112X6R28-F_B.DWG

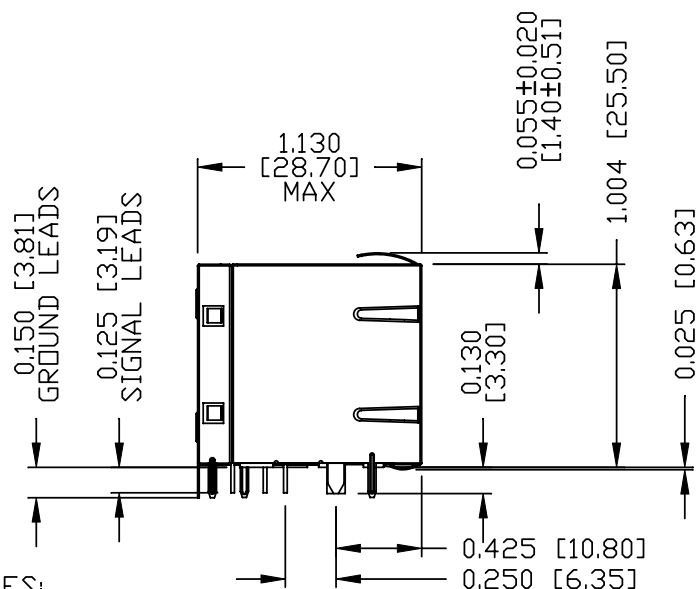
STANDARD DIM.	[] METRIC DIM. AS REFERENCE
TOL. IN INCH	UNIT : INCH [mm]
.X	SCALE : N/A
.XX	SIZE : A4
.XXX	PAGE : 2

REV. : B
SIZE : A4
PAGE : 2



THE INFORMATION CONTAINED HEREIN IS CONSIDERED "PROPRIETARY" TO BEL FUSE INC. AND SHALL NOT BE COPIED, REPRODUCED OR DISCLOSED WITHOUT THE WRITTEN APPROVAL OF BEL FUSE INC.

RoHS

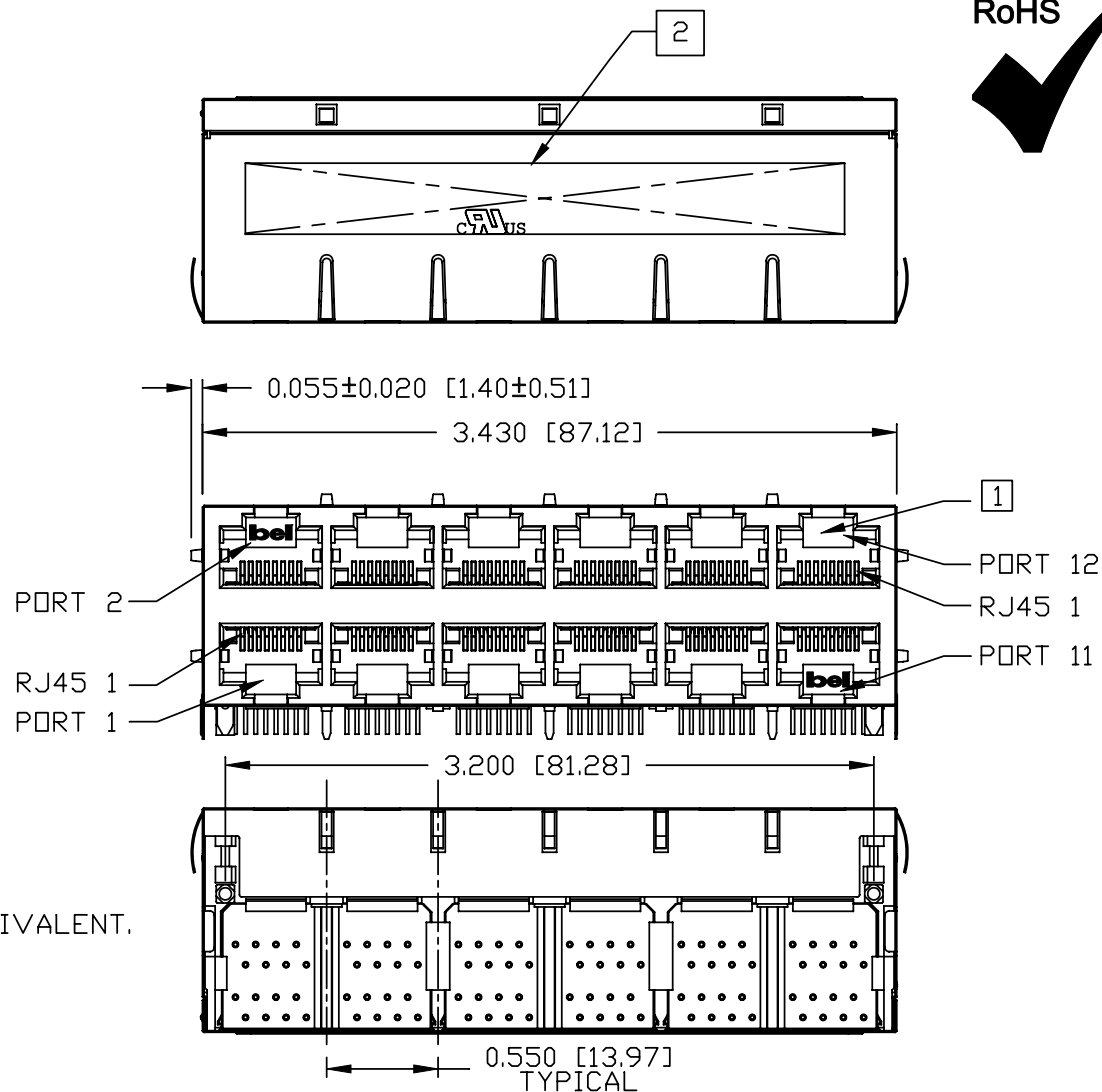


NOTES:

- PLASTIC HOUSING: THERMOPLASTIC PBT
FLAMMABILITY RATING UL 94V-0
- CONTACT PLATING: 30 MICRO-INCH HARD GOLD PLATING OR EQUIVALENT.
- OUTPUT PINS: TIN-COATED COPPER WIRE, DIA 0.018 INCH.
- METAL SHIELD: NICKEL PLATED COPPER ALLOY,
(ALL GROUND LEADS ARE SOLDER DIPPED)

1. JACK CAVITY CONFORMS TO FCC RULES AND REGULATIONS, PART 68 SUBPART F.
2. MARK PART WITH MFG LOGO, MFG NAME, PART NUMBER, DATE CODE AND PATENTED.

c USUL RECOGNIZED - FILE #E196366 AND E169987.



3. THE PRODUCT IS RoHS COMPLIANT.
4. THE PRODUCT IS PATENTED, THE PATENT NUMBER IS U.S. PAT. 5,736,910.

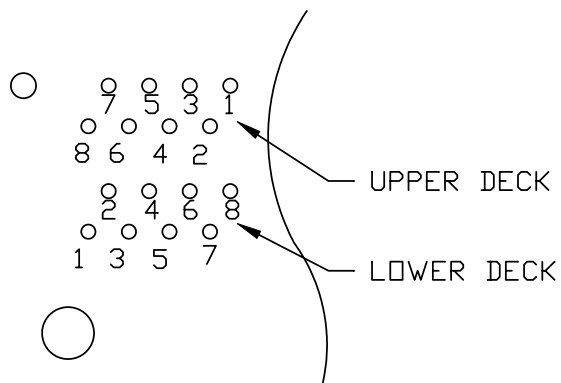
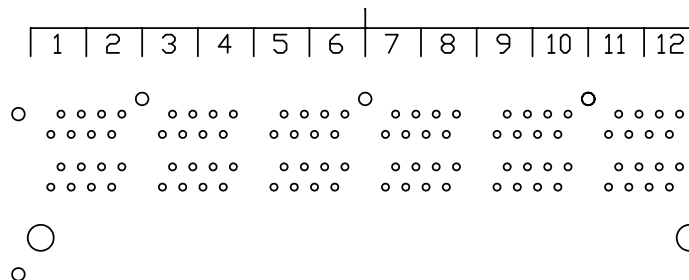
ORIGINATED BY	DATE	TITLE	PART NO. / DRAWING NO.	STANDARD DIM. TOL. IN INCH	[] METRIC DIM. AS REFERENCE		
ANTON LIAO	2012-07-10	2X6 MagJack® (4 Cores)	08112X6R28-F	.X	UNIT : INCH [mm]		REV. : B
DRAWN BY	DATE	0811-2X6R-28-F PATENTED	FILE NAME	.XX	SCALE : N/A		SIZE : A4
HE ZHEN	2012-07-10		08112X6R28-F_B.DWG	.XXX ±0.010			PAGE : 3

THE INFORMATION CONTAINED HEREIN IS CONSIDERED "PROPRIETARY" TO BEL FUSE INC. AND SHALL NOT BE COPIED, REPRODUCED OR DISCLOSED WITHOUT THE WRITTEN APPROVAL OF BEL FUSE INC.

RoHS

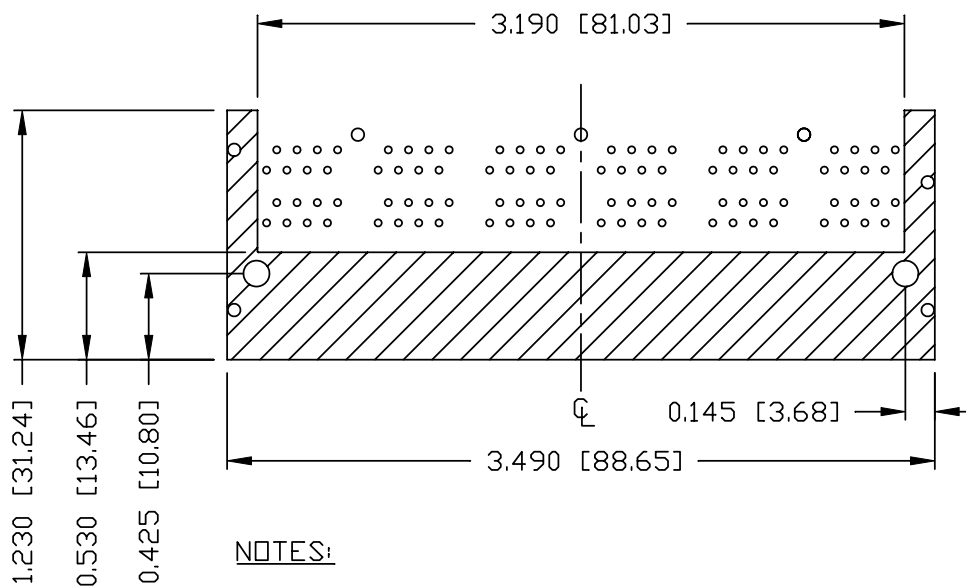


PORT ASSIGNMENT
(COMPONENT SIDE VIEW)



PIN-OUT INFORMATION
(COMPONENT SIDE VIEW)

8	GND
7	TCT
6	TD-
5	NC
4	RCT
3	TD +
2	RD -
1	RD +



NOTES:

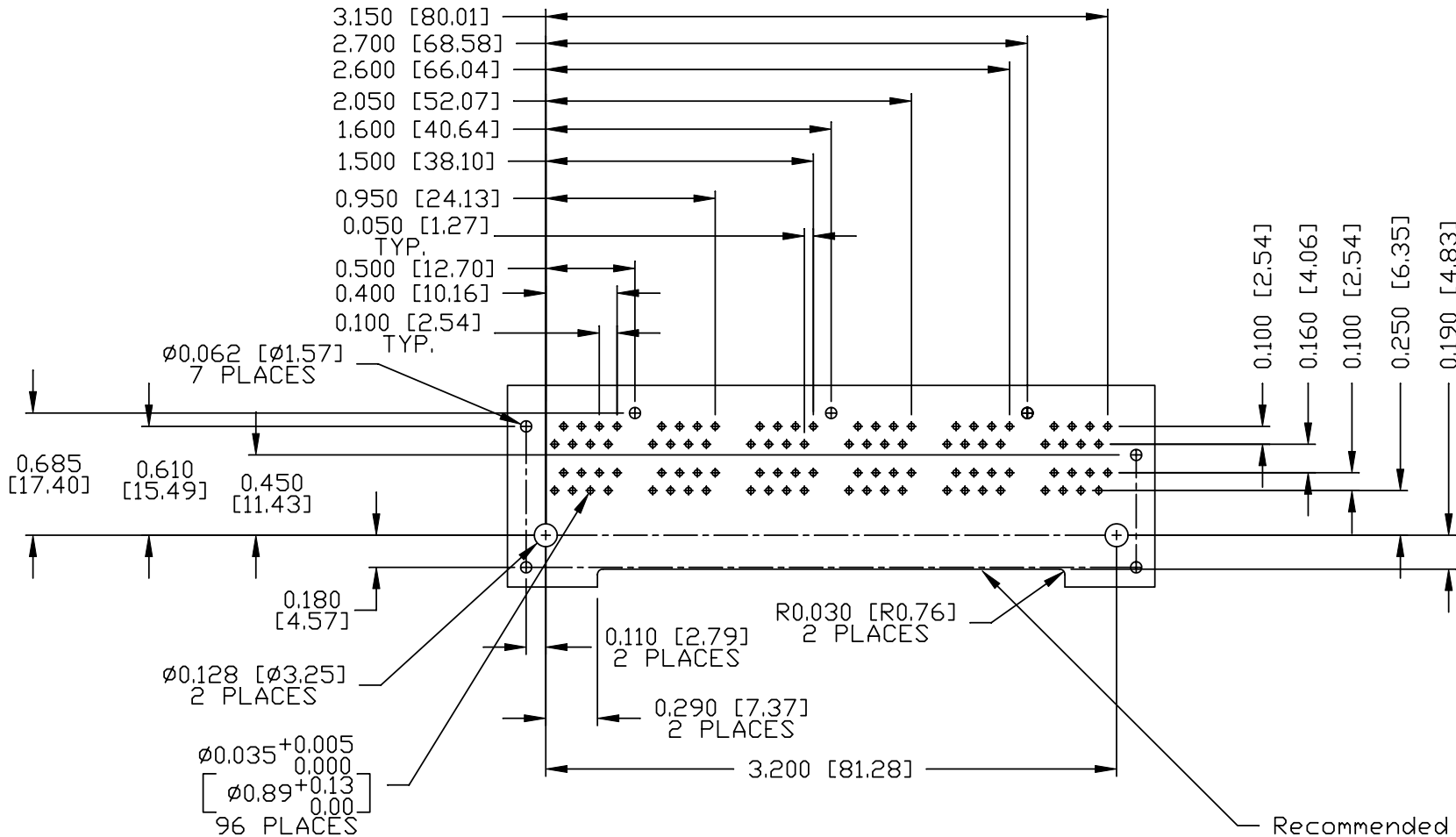
THE SHADED AREA ON THE CUSTOMER BOARD ARE RECOMMENDED TO BE CLEAR OFF ANY VIA HOLE OR COMPONENT PAD.

ORIGINATED BY	DATE	TITLE	PART NO. / DRAWING NO.	STANDARD DIM. TOL. IN INCH	[] METRIC DIM. AS REFERENCE	
ANTON LIAO	2012-07-10				UNIT : INCH [mm]	REV. : B
DRAWN BY	DATE	2X6 MagJack® (4 Cores) 0811-2X6R-28-F PATENTED	FILE NAME	.X .XX .XXX	SCALE : N/A	SIZE : A4
HE ZHEN	2012-07-10				08112X6R28-F_B.DWG	±0.004



THE INFORMATION CONTAINED HEREIN IS CONSIDERED "PROPRIETARY" TO BEL FUSE INC. AND SHALL NOT BE COPIED, REPRODUCED OR DISCLOSED WITHOUT THE WRITTEN APPROVAL OF BEL FUSE INC.

RoHS



SUGGESTED FOOTPRINT
(COMPONENT SIDE VIEW)

Recommended PCB front edge cutout. The bottom shield ground tabs (front) should not be seated on the top of the PCB.

ORIGINATED BY	DATE
ANTON LIAO	2012-07-10
DRAWN BY	DATE
HE ZHEN	2012-07-10

TITLE	2X6 MagJack® (4 Cores)
	0811-2X6R-28-F PATENTED

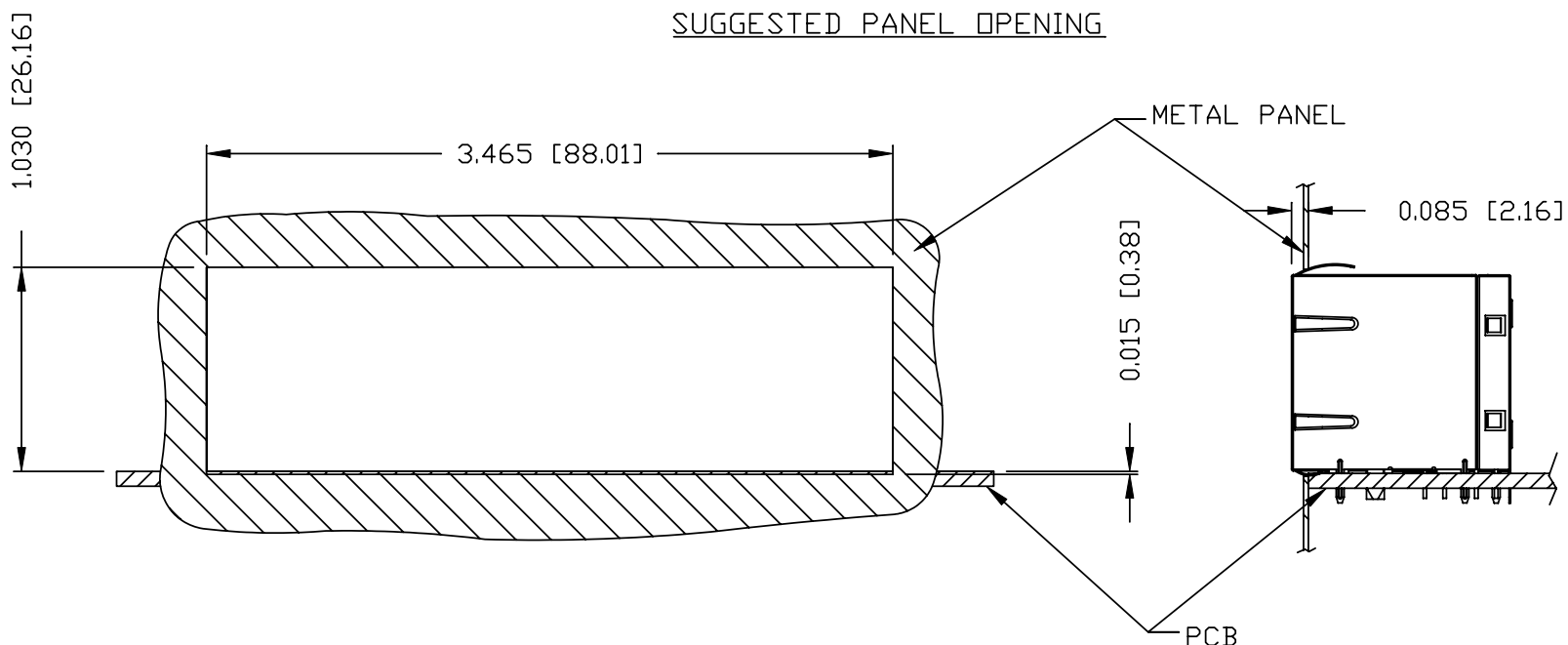
PART NO. / DRAWING NO.	08112X6R28-F
FILE NAME	08112X6R28-F_B.DWG

STANDARD DIM. TOL. IN INCH	[] METRIC DIM. AS REFERENCE
.X	UNIT : INCH [mm]
.XX	SCALE : N/A
.XXX	REV. : B
±0.004	SIZE : A4
	PAGE : 5



THE INFORMATION CONTAINED HEREIN IS CONSIDERED "PROPRIETARY" TO BEL FUSE INC. AND SHALL NOT BE COPIED, REPRODUCED OR DISCLOSED WITHOUT THE WRITTEN APPROVAL OF BEL FUSE INC.

RoHS



NOTE:

THE DISTANCE OF PANEL INSIDE SURFACE RELATIVE TO FRONT SURFACE OF PART IS ONLY A SUGGESTION. IN CASE THIS DISTANCE IS DIFFERENT, THE REQUIRED PANEL OPENING DIMENSIONS CHANGE ACCORDINGLY.

PACKING INFORMATION

PACKING TRAY : 0200-9999-A9 (TOP)
0200-9999-A8 (BOTTOM)

PACKING QUANTITY : 15 PCS FINISHED GOODS PER TRAY
7 TRAYS (105 PCS FINISHED GOODS) PER CARTON BOX

NOTE : CARDBOARDS ARE PLACED BETWEEN LAYERS OF PACKING TRAY INSIDE CARTON BOX
(INCLUDE THE UPPERMOST AND LOWERMOST TRAY)

ORIGINATED BY ANTON LIAO	DATE 2012-07-10	TITLE 2X6 MagJack® (4 Cores)	PART NO. / DRAWING NO. 08112X6R28-F	STANDARD DIM. TOL. IN INCH		[] METRIC DIM. AS REFERENCE		bel	
	DRAWN BY HE ZHEN			DATE 2012-07-10	FILE NAME 08112X6R28-F_B.DWG	.X .XX .XXX	#0.004		UNIT : INCH [mm]
					⊕		PAGE : 6		