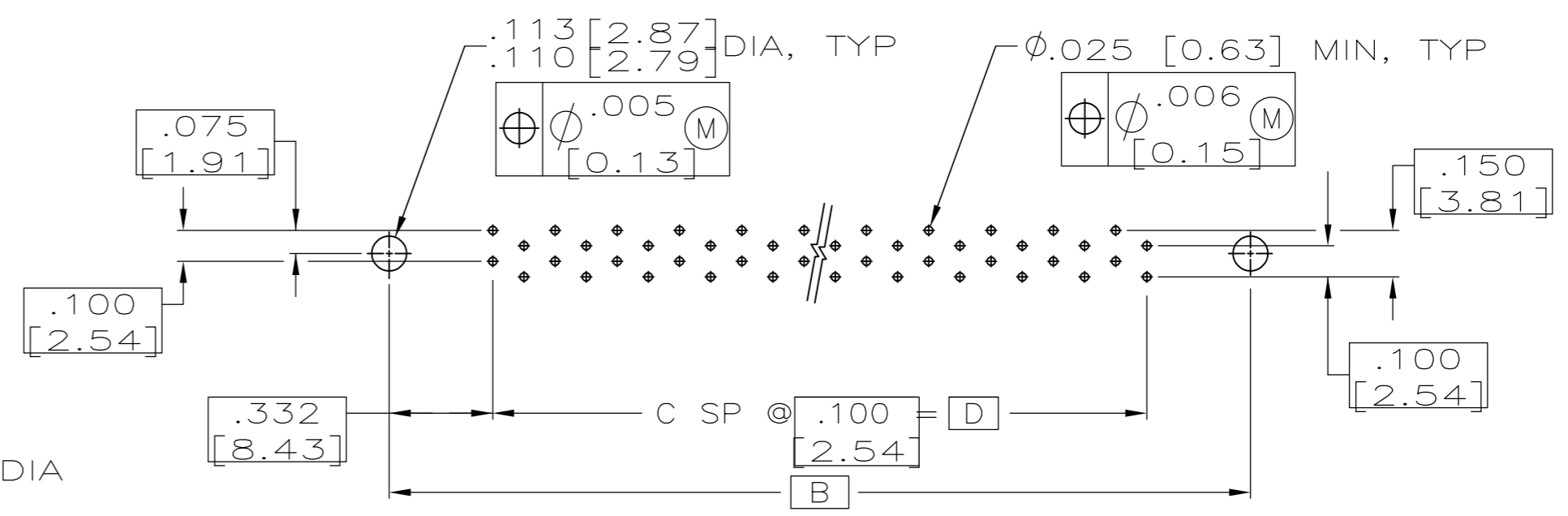
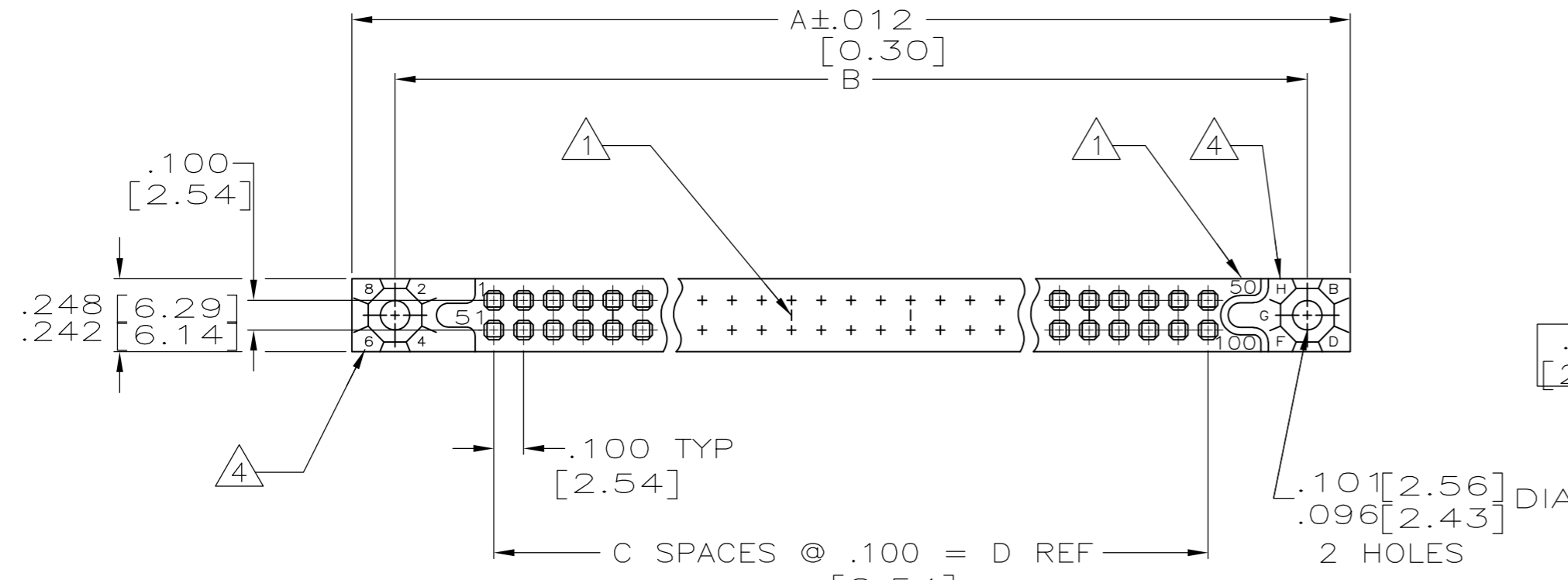
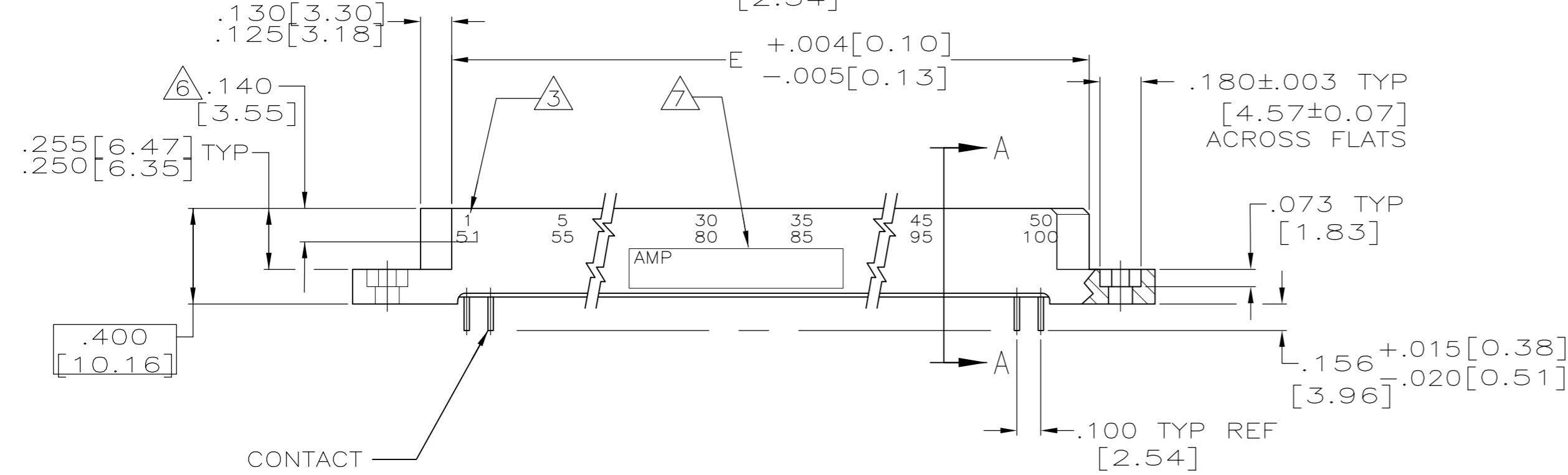
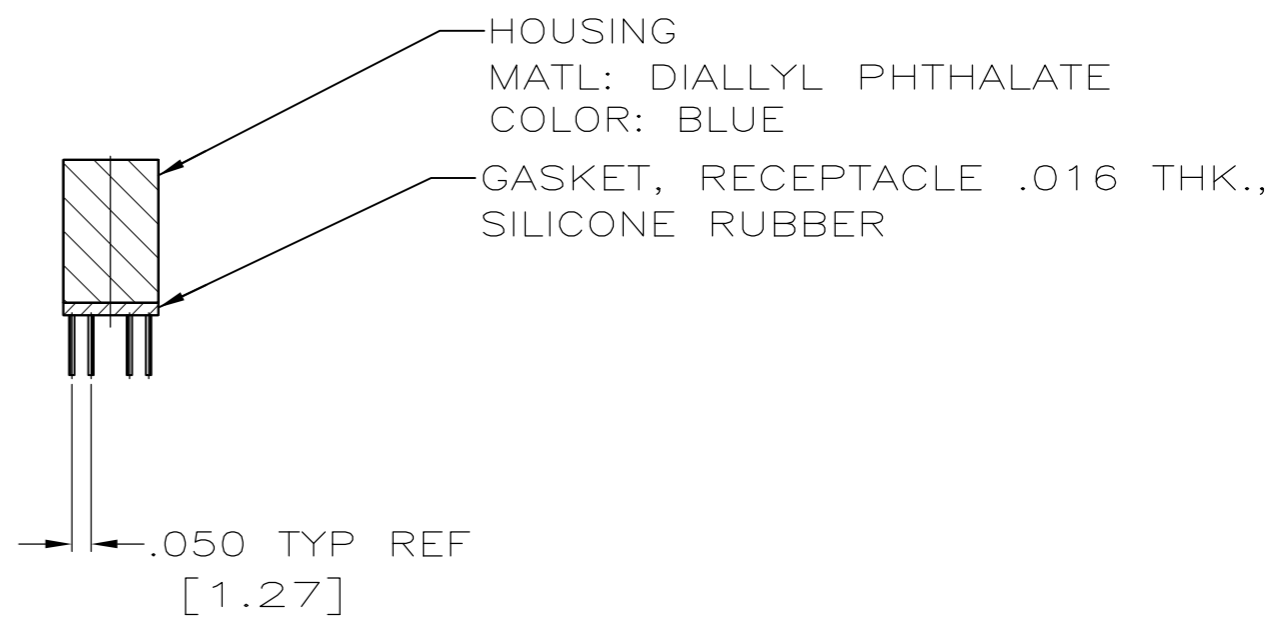


THIS DRAWING IS UNPUBLISHED. RELEASED FOR PUBLICATION
 © COPYRIGHT BY TYCO ELECTRONICS CORPORATION. ALL RIGHTS RESERVED.

LOC		DIST		REVISIONS			
P	LTR	DESCRIPTION	DATE	DWN	APVD		
E		REV PER ECO-07-024302	22OCT07	PY	BW		



RECOMMENDED P.C. BOARD LAYOUT
(CONNECTOR SIDE)



CONTACT
 MATL: BERYLLIUM COPPER PER ASTM-B-196 (BeCu)
 OR COPPER NICKEL SILICONE (CuNiSi)
 FINISH: $\triangle 5$

- $\triangle 1$ CAVITY IDENTIFICATION NUMBERS (PER TABLE) AND MARKERS INDICATING EVERY FIVE CAVITIES, EXCLUDING END CAVITIES, MOLDED OR MARKED ON MATING FACE.
- 2. CONNECTOR MEETS ALL APPLICABLE REQUIREMENTS OF MIL-C-55302.
- $\triangle 3$ NUMBERS INDICATING EVERY FIVE CAVITIES MOLDED OR MARKED ON SIDE.
- $\triangle 4$ KEY POSITION IDENTIFICATIONS MOLDED ON SURFACES SHOWN.
- $\triangle 5$ FINISH: PLATED GOLD .000050 [0.00127] MIN THK PER MIL-G-45204 OVER .000030 [0.00076] MIN NICKEL PER QQ-N-290. TIN/LEAD OVER TAIL AREA.
- $\triangle 6$ MAX DEPTH OF CONTACT POINT.
- $\triangle 7$ AMP, AMP PART NO., DATE CODE & CUSTOMER PART NO. (PER TABLE).
- $\triangle 8$ SOLDER/TINES SOLDER DIPPED PER MIL-C-55302.
- $\triangle 9$ USE EXTERNAL KEY NO.530341-1, MATES WITH P/N 530339 & 530880.

OBSOLETE

34050975-002	1 50 51 100	5.165 [131.91]	4.900 [124.46]	49	5.565 [141.31]	5.855 [148.71]	100	533615-2
34050975-001	1 45 46 90	4.665 [118.49]	4.400 [111.76]	44	5.065 [128.65]	5.355 [136.02]	90	533615-1
CUSTOMER P/N	CAVITY IDENT \triangle	E	D	C	B	A	NO OF POSN	PART NUMBER

THIS DRAWING IS A CONTROLLED DOCUMENT.

DIMENSIONS: INCHES	TOLERANCES UNLESS OTHERWISE SPECIFIED:	DWN C.C. THOMAS 4-20-90	Tyco Electronics Corporation Harrisburg, PA 17105-3608
	0 PLC ± -	CHK G. GRIFFITH 4-25-90	
	1 PLC ± -	APVD G. GRIFFITH 4-25-90	
	2 PLC ± -	PRODUCT SPEC	
MATERIAL SEE CALLOUTS	FINISH SEE CALLOUTS	APPLICATION SPEC	NAME RECEPTACLE ASSEMBLY 1000 SERIES BOX WITH GASKET & EXTERNAL KEYING
		WEIGHT -	SIZE A2 CAGE CODE 00779 DRAWING NO C=533615 RESTRICTED TO -
		CUSTOMER DRAWING	SCALE 2:1 SHEET 1 OF 1 REV E