

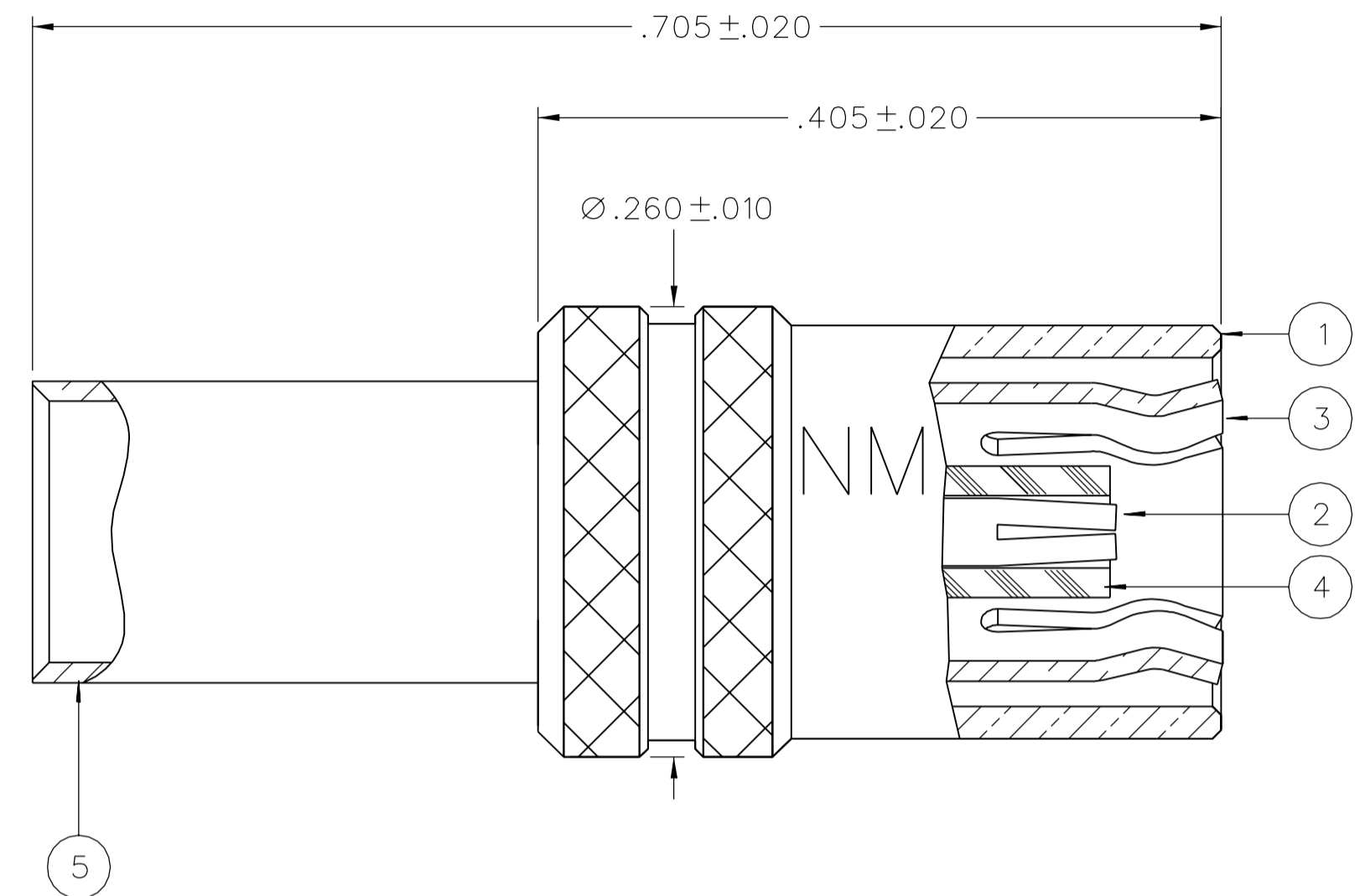
| | | | | | |
|-----------------------------|---|--|--|-------------------------------|---|
| PART NUMBER 131-9404-021 | ITEM ① BODY COPPER ALLOY GOLD PL .00005 MIN OVER COPPER PL .00005 MIN | ITEM ② CONTACT COPPER ALLOY GOLD PL .00005 MIN OVER COPPER PL .00005 MIN | ITEM ③ INTERFACE COPPER ALLOY GOLD PL .00005 MIN OVER COPPER PL .00005 MIN | ITEM ④ INSULATOR TEFLON | ITEM ⑤ CRIMP SLEEVE COPPER ALLOY GOLD PL .00005 MIN OVER COPPER PL .00005 MIN |
|-----------------------------|---|--|--|-------------------------------|---|

DRAWING NO.
C - 131-9404-021/030

0 REVISIONS

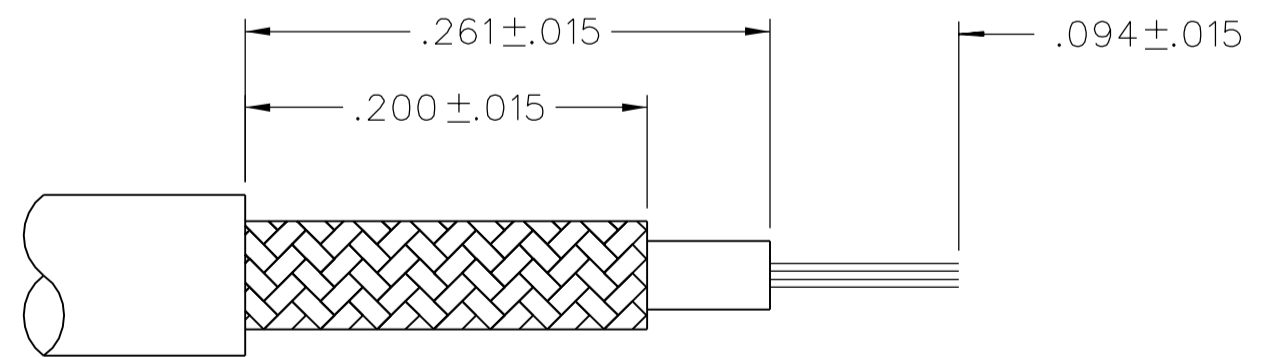
ENGINEERING RELEASE

| | | | | | | |
|---|---------|-------------|-------------|-------------|-------------|----------------------|
| 1 | 9-26-08 | P A T | B T W | T A K | M J S | 10-8-08 ECN 51651 |
|---|---------|-------------|-------------|-------------|-------------|----------------------|



NOTES:

1. SPECIFICATIONS:
- IMPEDANCE: 50 OHMS
 - FREQUENCY RANGE: 0-4 GHZ
 - VSWR: 1.25+.04 F (F IN GHZ) (50 OHM CABLE ONLY)
 - WORKING VOLTAGE: 335 VRMS MAX AT SEA LEVEL
 - DIELECTRIC WITHSTANDING VOLTAGE: 1000 VRMS MIN AT SEA LEVEL
 - INSULATION RESISTANCE: 1000 MEGOHM MIN
 - CONTACT RESISTANCE:
 - CENTER CONTACT - INITIAL 6 MILLIOHM MAX, AFTER ENVIRONMENTAL 8 MILLIOHM MAX
 - OUTER CONDUCTOR - GOLD PLATED AND SILVER PLATED INITIAL 1 MILLIOHM MAX, AFTER ENVIRONMENTAL 1.5 MILLIOHM MAX, NICKEL PLATED INITIAL 2.5 MILLIOHM MAX, AFTER ENVIRONMENTAL 3.5 MILLIOHM MAX
 - BRAID TO BODY - GOLD PLATED AND SILVER PLATED INITIAL 1 MILLIOHM MAX, AFTER ENVIRONMENTAL NOT APPLICABLE, NICKEL PLATED INITIAL 2.5 MILLIOHM MAX, AFTER ENVIRONMENTAL NOT APPLICABLE
 - CORONA LEVEL: 250 VOLTS MIN AT 70,000 FEET
 - INSERTION LOSS: .30 DB MAX AT 1.5 GHZ (50 OHM CABLE ONLY)
 - RF LEAKAGE: -55 DB MIN AT 2.5 GHZ (50 OHM CABLE ONLY)
 - RF HIGH POTENTIAL WITHSTANDING VOLTAGE: 700 VRMS MIN AT 4 AND 7 MHZ
- MECHANICAL:
- ENGAGE/DISENGAGE FORCE: INITIAL 14 LBS MAX, AFTER DURABILITY 14 LBS MAX ENGAGEMENT/2 LBS MIN DISENGAGEMENT
 - MATING TORQUE: NOT APPLICABLE
 - COUPLING PROOF TORQUE: NOT APPLICABLE
 - COUPLING NUT RETENTION: NOT APPLICABLE
 - CONTACT RETENTION: 4 LBS MIN AXIAL FORCE
 - CABLE ACCEPTABILITY: RG 316 DOUBLE BRAIDED, RG 179 DOUBLE BRAIDED, RG 188 DOUBLE BRAIDED, RG 187 DOUBLE BRAIDED
 - CABLE HEX CRIMP SIZE: .151
 - CONTACT CRIMP TOOL:
 - CABLE RETENTION: 20 LBS MIN OR CABLE BREAKING STRENGTH
 - DURABILITY: 500 CYCLES MIN



CABLE STRIP DIMENSIONS

CUSTOMER DRAWING

THIS DRAWING TO BE INTERPRETED PER ASME Y 14.5M - 1994

"μSTATION"

COMPANY CONFIDENTIAL

| | | | |
|--------------------------------------|-------|--------------------|-----------------|
| TOLERANCE UNLESS OTHERWISE SPECIFIED | | DRAWN BY BTW | DATE 5-23-08 |
| DECIMALS | mm | CHECKED BY TJS | DATE 10-8-08 |
| .XX | _____ | APPROVED BY TAK | DATE 10-8-08 |
| .XXX | _____ | RELEASE DATE | 10-8-08 |
| MATL | _____ | U/M | INCH |
| FINISH | _____ | SCALE | 10:1 |

cinch
CONNECTIVITY SOLUTIONS
a bel group

Cinch Connectivity Solutions
P.O. Box 1732
Waseca, MN 56093
1-800-247-8256

TITLE
PLUG ASSEMBLY, 3 PIECE
STRAIGHT CABLED
RG 316 DOUBLE BRAID
SMB NON-MAGNETIC

SHEET
2 OF 2

DRAWING NO.
C - 131-9404-021/030

ENVIRONMENTAL:

(MEETS OR EXCEEDS THE APPLICABLE PARAGRAPH OF MIL-PRF-39012)

THERMAL SHOCK: MIL-STD-202, METHOD 107, CONDITION B

OPERATING TEMPERATURE: -65 DEG C TO 165 DEG C

CORROSION: MIL-STD-202, METHOD 101, CONDITION B

SHOCK: MIL-STD-202, METHOD 213, CONDITION B

VIBRATION: MIL-STD-202, METHOD 204, CONDITION B