

THIS DRAWING IS UNPUBLISHED.

RELEASED FOR PUBLICATION

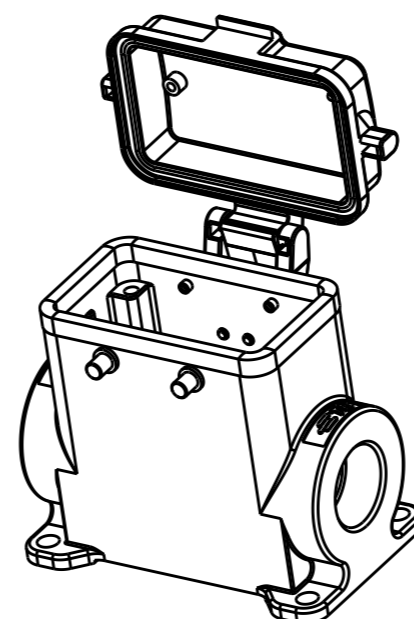
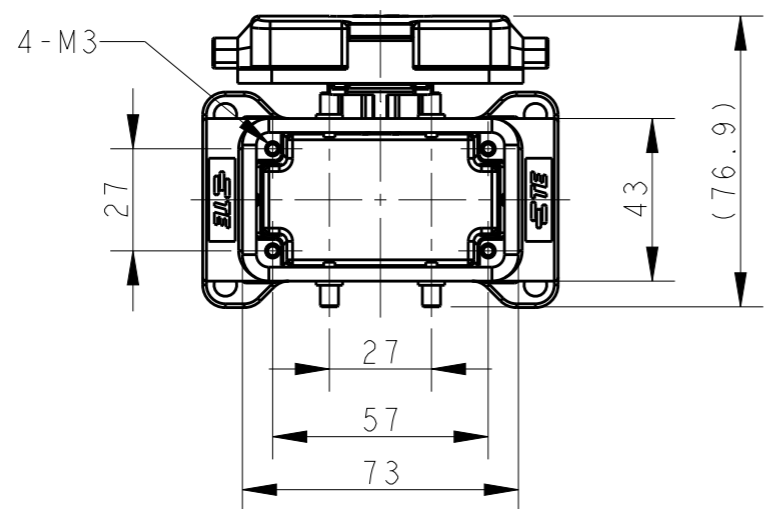
20

© COPYRIGHT 20 BY -

ALL RIGHTS RESERVED.

REVISIONS

P	LTR	DESCRIPTION	DATE	DWN	APVD
	A	INITIAL RELEASE	25JUN2015	DL	CW

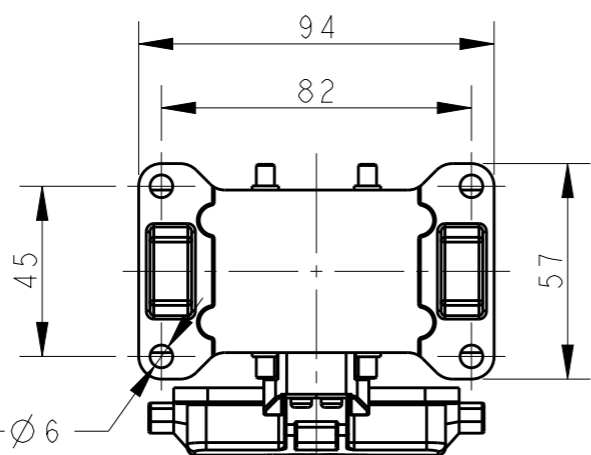
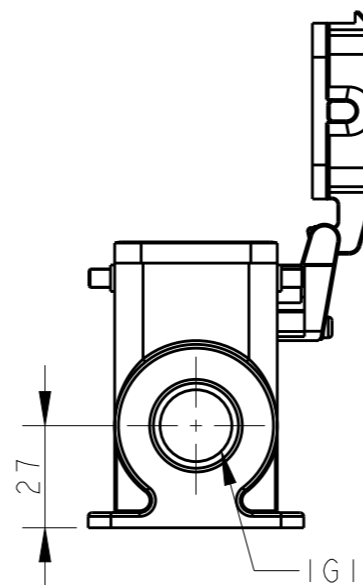
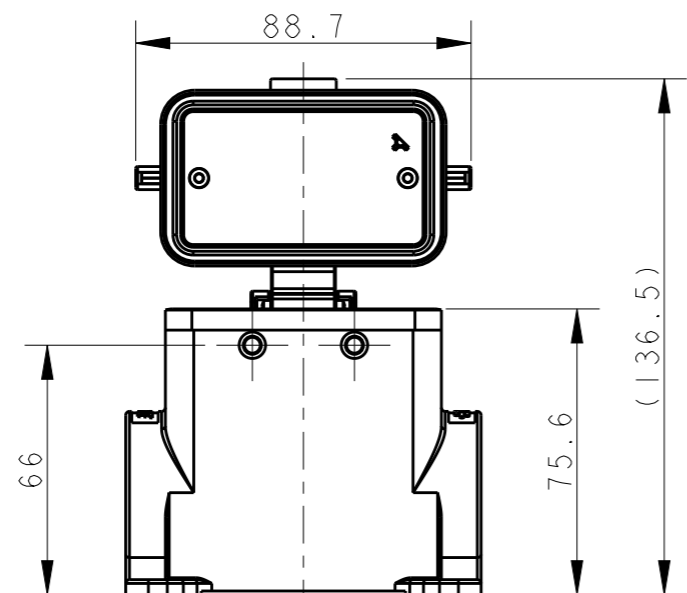
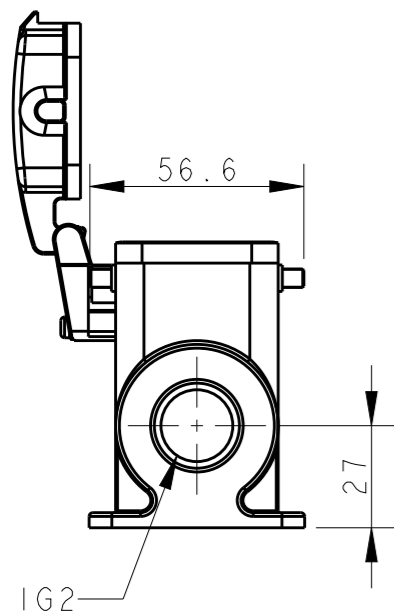


NOTES:

- 1. TECHNICAL CHARACTERISTICS:
 BODY MATERIAL: DIE CAST ALUMINIUM ALLOY
 SURFACE TREATMENT: POWDER-COATED, GRAY
 OPERATION TEMPERATURE: -40-+125°C
 DEGREE OF PROTECTION: IP65 (MATED)

注释:

- 1. 技术参数:
 主体材料: 铝合金
 表面处理: 粉末喷涂, 灰色
 工作温度: -40-+125°C
 防护等级: IP65(配合)



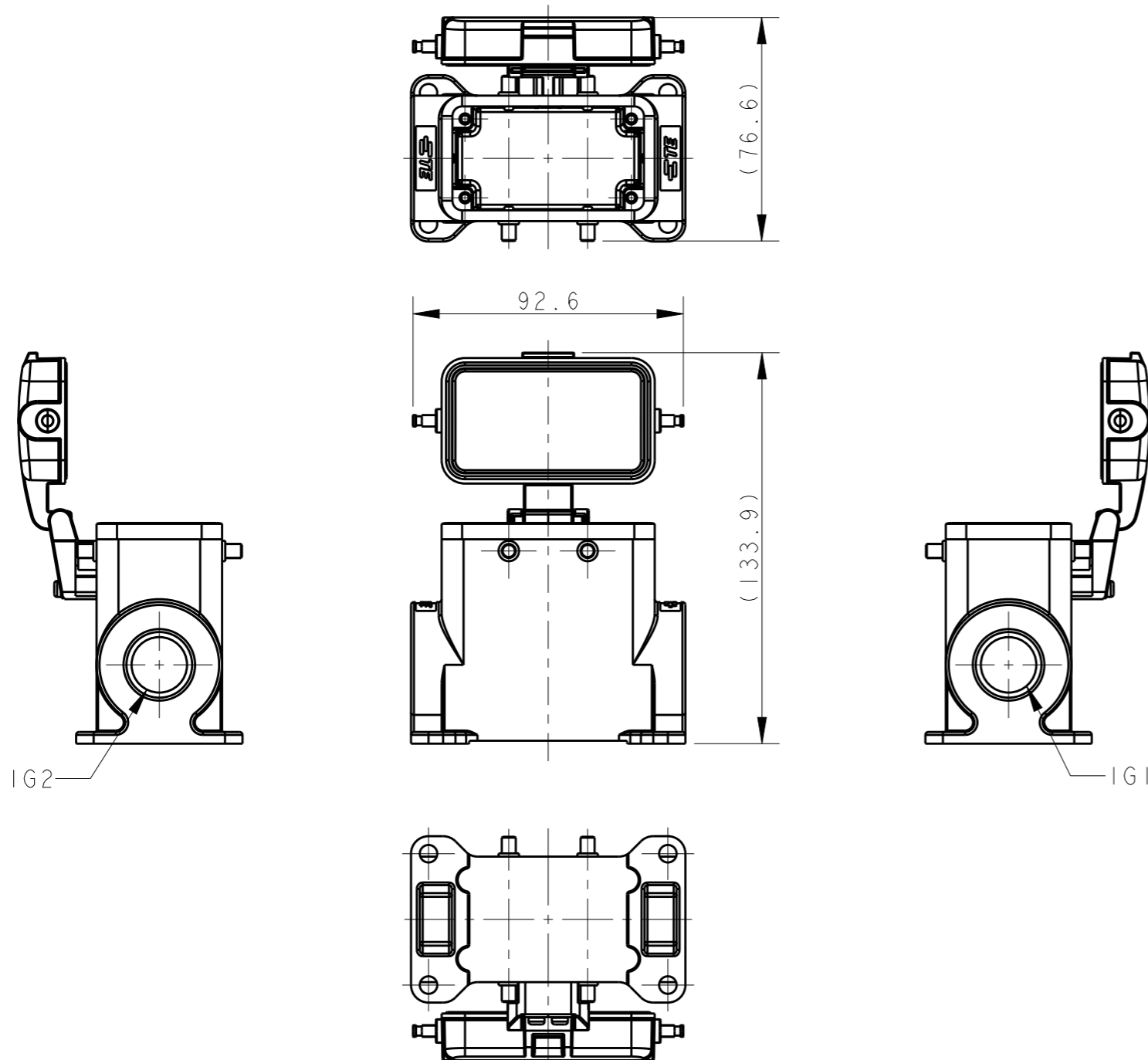
TYPE 1: HIGH BODY + PLASTIC PROTECTION COVER

T1490100121-000	TYPE I	H10B-SDRH-BO-PG21	PG21	-
T1490100125-000		H10B-SDRH-BO-M25	M25	-
T1490100129-000		H10B-SDRH-BO-PG29	PG29	-
T1490100132-000		H10B-SDRH-BO-M32	M32	-
T1490100221-000		H10B-SDRH-BO-2PG21	PG21	PG21
T1490100229-000		H10B-SDRH-BO-2PG29	PG29	PG29
T1490100232-000		H10B-SDRH-BO-2M32	M32	M32
ASSEMBLY PART NUMBER	TYPE	ASSEMBLY PART DESCRIPTION	IG1	IG2

THIS DRAWING IS A CONTROLLED DOCUMENT.		DWN	25JUN2015		
		DAVID LI			
		CHK	25JUN2015		
		CHRIS WANG			
		APVD	25JUN2015	NAME	
		XU XIANG		H10B-SDRH-BO-PG/M	
DIMENSIONS:		PRODUCT SPEC		SIZE	
mm		108-137013		A3	
TOLERANCES UNLESS OTHERWISE SPECIFIED:		APPLICATION SPEC		CAGE CODE	
0 PLC ±-		114-137013		-	
1 PLC ±-		WEIGHT		DRAWING NO	
2 PLC ±-		-		C-T149010XXXX000	
3 PLC ±-		CUSTOMER DRAWING		RESTRICTED TO	
4 PLC ±-				-	
ANGLES ±-				SCALE	
FINISH				1:2	
-				SHEET	
				1 OF 2	
				REV	
				A	

REVISIONS


P	LTR	DESCRIPTION	DATE	DWN	APVD
	-	SEE SHEET 1	-	-	-



TYPE 2: HIGHT BODY + METAL PROTECTION COVER

OTHER SPEC REFER TO TYPE 1

T1490101121-000	TYPE 2	H10B-SDRMH-BO-PG21	PG21	-
T1490101129-000		H10B-SDRMH-BO-PG29	PG29	-
T1490101132-000		H10B-SDRMH-BO-M32	M32	-
T1490101221-000		H10B-SDRMH-BO-2PG21	PG21	PG21
T1490101229-000		H10B-SDRMH-BO-2PG29	PG29	PG29
T1490101232-000		H10B-SDRMH-BO-2M32	M32	M32
ASSEMBLY PART NUMBER	TYPE	ASSEMBLY PART DESCRIPTION	IG1	IG2

THIS DRAWING IS A CONTROLLED DOCUMENT.		DWN DAVID LI 25JUN2015	 TE Connectivity	
DIMENSIONS: mm		CHK CHRIS WANG 25JUN2015		
TOLERANCES UNLESS OTHERWISE SPECIFIED:		APVD XU XIANG 25JUN2015	NAME H10B-SDRHM-BO-PG/M	
0 PLC ±- 1 PLC ±- 2 PLC ±- 3 PLC ±- 4 PLC ±- ANGLES ±-		PRODUCT SPEC 108-137013	SIZE A3	
MATERIAL TBD		APPLICATION SPEC 114-137013	CAGE CODE -	DRAWING NO C-T149010XXXX000
FINISH -		WEIGHT -	RESTRICTED TO -	
		CUSTOMER DRAWING	SCALE 1:2	SHEET 2 OF 2
			REV A	