

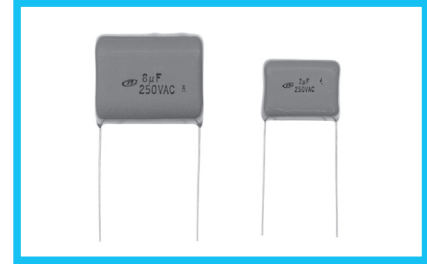
EXH

Metallized Polypropylene Film AC Power Capacitor

- Self-healing and non-inductive wound by metallized film, with flame-retardant epoxy resin coating for humidity resistance.
- Compliant to the RoHS directive (2011/65/EU).

Application

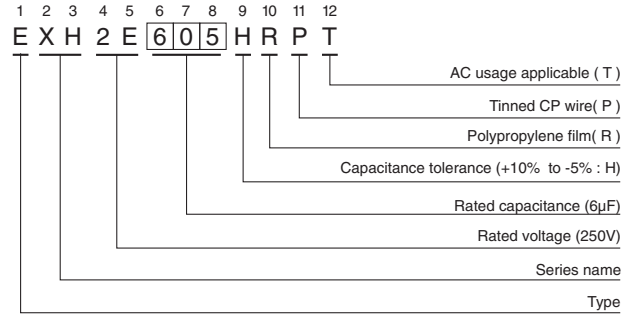
- Motor running



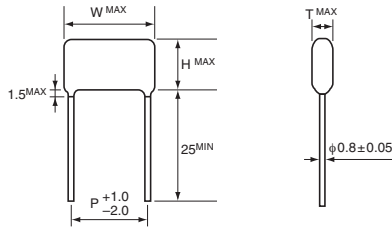
Specifications

Item	Performance Characteristics
Maximum permissible temperature	+85°C (Z)
Minimum ambient temperature	- 25°C (B)
Rated Voltage Range	250VAC
Rated Capacitance Range	6 to 12µF
Capacitance Tolerance	+10 to -5%
Loss factor	0.12% or less (at 20°C 50/60Hz 200VAC)
Withstand Voltage	Between Terminals : Rated Voltage × 175% 10 secs. Between Terminals connected together and case : 2000VAC 60 secs.
Insulation Resistance	Between Terminals connected together and case : 1000MΩ or more (at 500VDC)
Encapsulation	Flame retardant epoxy resin
Current duration class	40D (40,000h)
Safety Mechanism	Non-included

Type numbering system (Example : 250VAC 6µF)



Drawing



Straight lead type

Dimensions

Unit : mm

Cap. (µF)	Code	V (Code)	250VAC (2E)			
		Size	T	W	H	P
6.0	605		14.0	36.0	25.5	32.5
7.0	705		14.5	36.0	27.5	32.5
8.0	805		15.5	36.0	28.5	32.5
9.0	905		16.5	36.0	29.5	32.5
10.0	106		17.5	36.0	30.5	32.5
12.0	126		18.5	36.0	31.5	32.5

Since rating other than the above can be manufactured a please ask for detail.