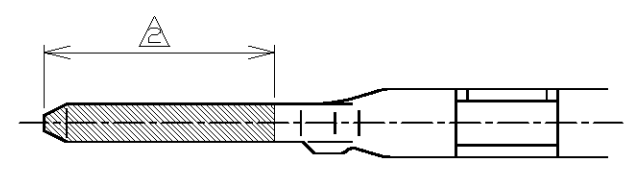
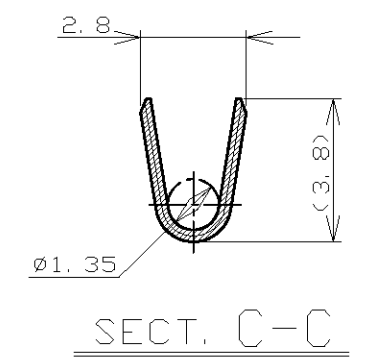
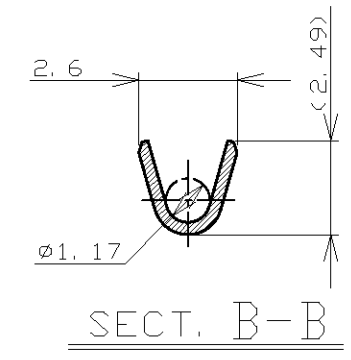
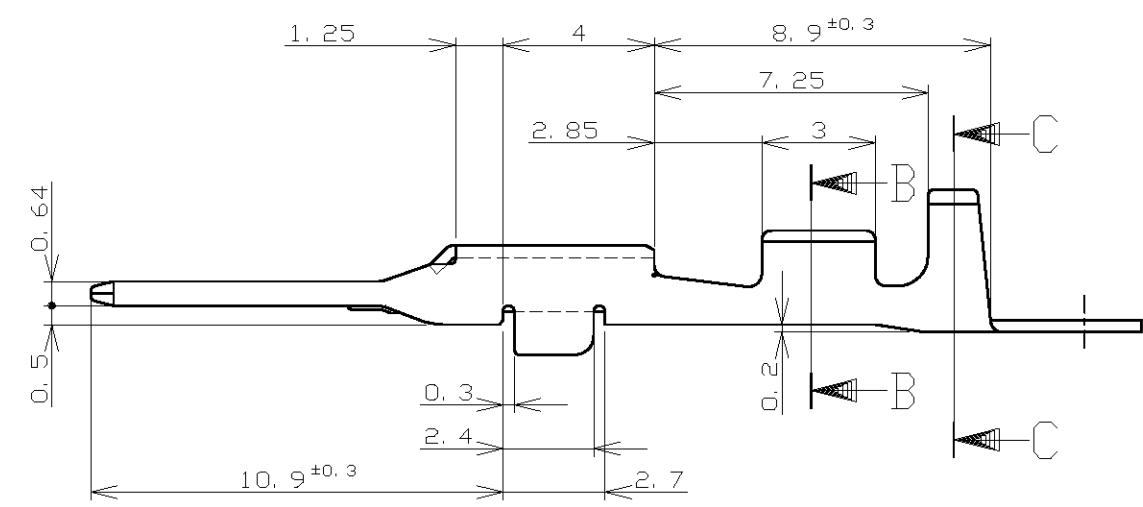
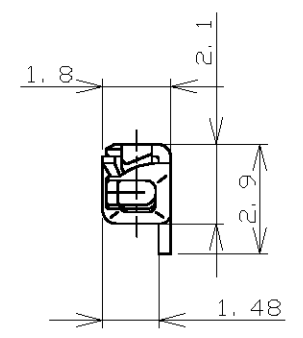
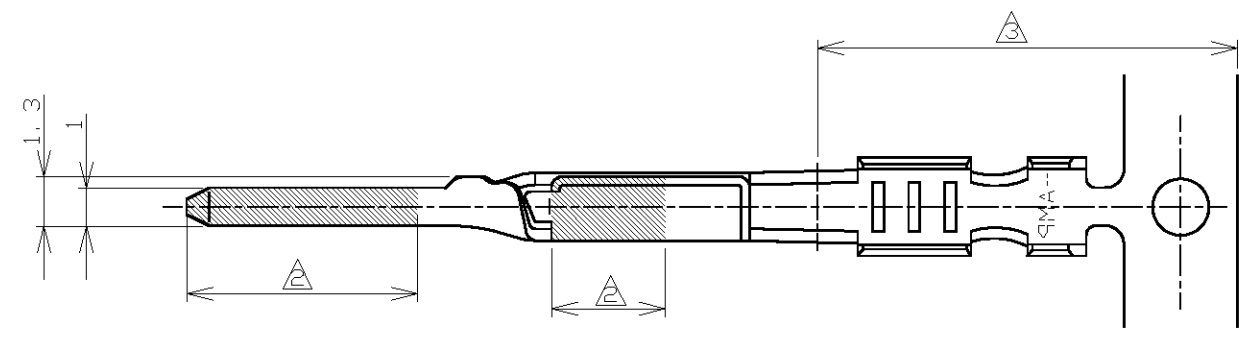


THIS DRAWING IS UNPUBLISHED. RELEASED FOR PUBLICATION
 © COPYRIGHT - By - ALL RIGHTS RESERVED.

LOC	DIST	REVISIONS			
P	LTR	DESCRIPTION	DATE	DWN	APVD
J	-	A1	REVISED	ECR-14-003513	10MAR2014 TS KB



1376703-2	SELECTIVE GOLD/TIN 部分金めっき/錫めっき 2 3	353537-2
1376703-1	PRE-TIN 錫めっき済	353537-1
LOOSE PIECE NUMBER バラ端子型番	FINISH 仕上げ	PART NUMBER 型番

1. 適用電線 ; AVSS, CAVS 0.3~0.5mm²
 ① 金めっき範囲 (-2のみ)
 ② 錫めっき範囲 (-2のみ)

1. APPLICABLE WIRE RANGE ; AVSS, CAVS 0.3~0.5mm²
 ① GOLD PLATING AREA (-2 ONLY)
 ② TIN PLATING AREA (-2 ONLY)

TOLERANCES UNLESS OTHERWISE SPECIFIED:	
10 ≥	: ±0.2
30 ≥ > 10	: ±0.25
100 ≥ > 30	: ±0.3
ANGLE : ±3°	

THIS DRAWING IS A CONTROLLED DOCUMENT.	
DIMENSIONS: mm	TOLERANCES UNLESS OTHERWISE SPECIFIED:
	0 PLC ± -
	1 PLC ± -
	2 PLC ± -
	3 PLC ± -
	4 PLC ± -
	ANGLES ± -
MATERIAL BRASS	FINISH SEE TABLE

DWN H.YAMAGAMI 20DEC96	STE TE Connectivity			
CHK D.MATSUURA 20DEC96				
APVD N.SAI 20DEC96				
PRODUCT SPEC -	NAME 040III UNSEALED CONTACT, TAB (S)			
APPLICATION SPEC 114-5228	SIZE A3	CAGE CODE 00779	DRAWING NO C-353537	RESTRICTED TO -
WEIGHT 0.31 g	CUSTOMER DRAWING			SCALE 5:1
			SHEET 1 OF 1	REV A1