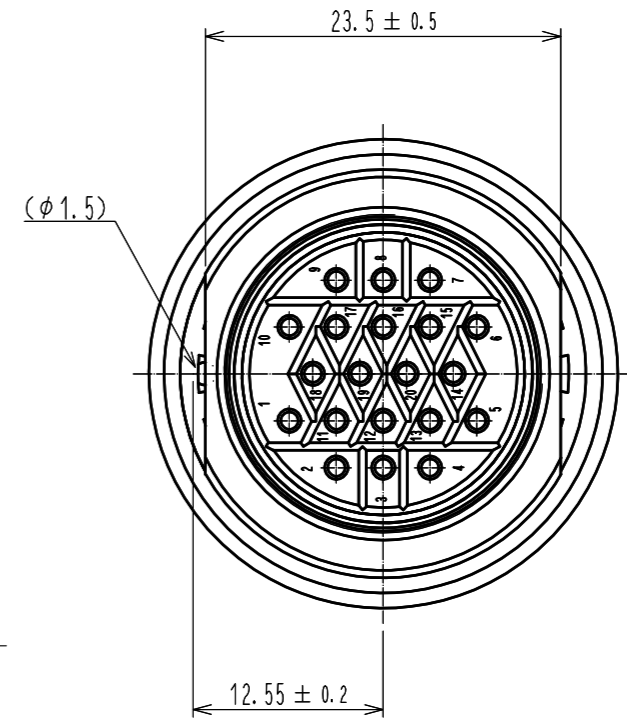
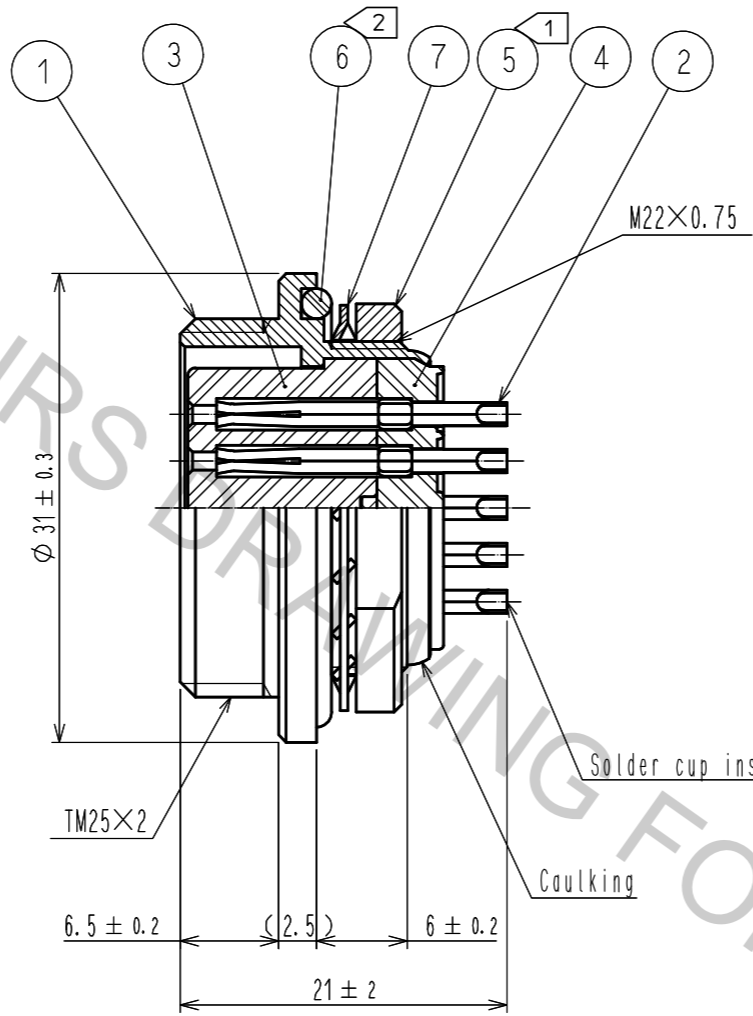
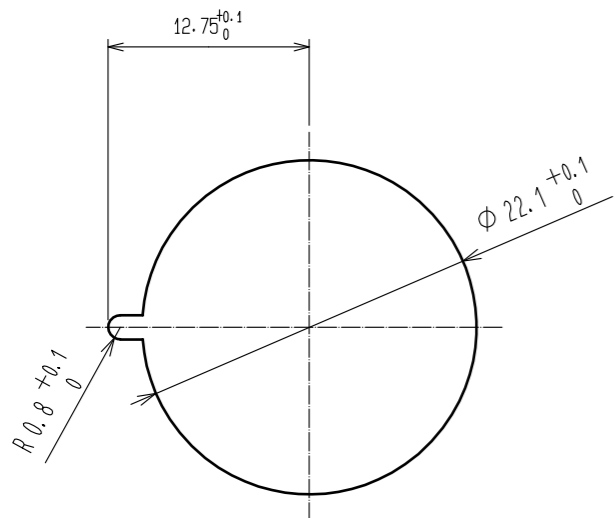


Panel cutout(2:1)
 (Panel thickness : 2 max.)



- Notes
- ① The recommended tightening torque of ref.No. ⑤ shall be 4N·m. LOCTITE 243, HENKEL JAPAN or equivalent is recommended to prevent ref.No. ⑤ from loosening.
 - ② At the connector mount, ref.No. ⑥ O-RING. Shall be attached without bite lump.

4	PPS	(Black) UL94V-0	7	Brass	Nickel plating
3	PPS	(Black) UL94V-0	6	Chloroprene rubber	(Black)
2	Copper alloy	Silver plating 5μm min.	5	Brass	Nickel plating
1	Brass	Nickel plating			
NO.	MATERIAL	FINISH . REMARKS	NO.	MATERIAL	FINISH . REMARKS

UNITS mm		SCALE 2 : 1	COUNT △	DESCRIPTION OF REVISIONS	DESIGNED	CHECKED	DATE
HRS HIROSE ELECTRIC CO., LTD.		APPROVED : HY. KOBAYASHI	18.02.22	DRAWING NO.	EDC-003648-31-00		
		CHECKED : HY. KOBAYASHI	18.02.22	PART NO.	RM21WTR-20S(31)		
		DESIGNED : HY. KISHI	18.02.22	CODE NO.	CL109-1448-6-31		
		DRAWN : MK. INOUE	18.02.08		①/1		