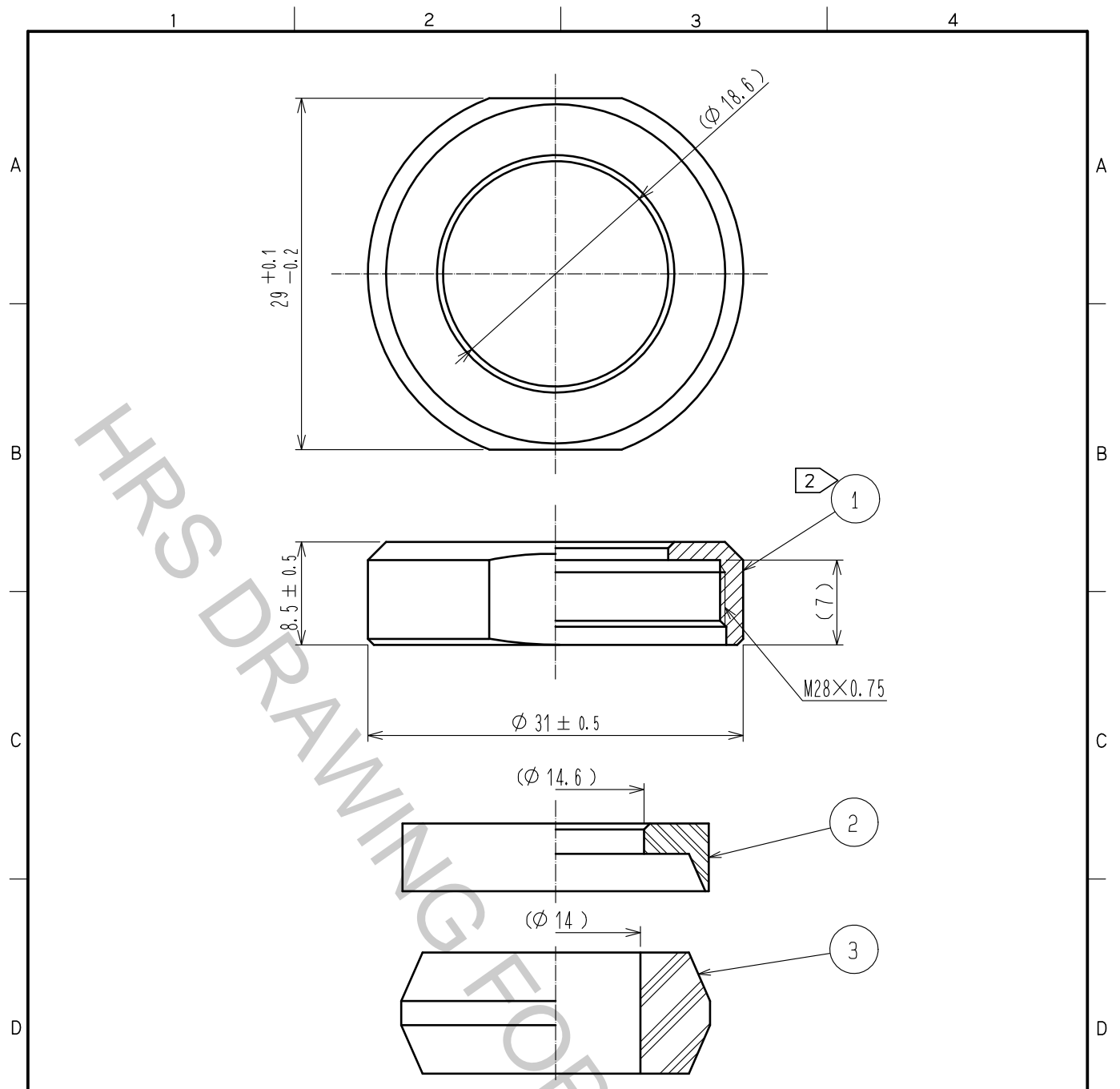


Aug.1.2018 Copyright 2018 HIROSE ELECTRIC CO., LTD. All Rights Reserved.  
 In case that the application demands a high level of reliability, such as automotive,  
 please contact a company representative for further information.



- Notes
- This product is delivered disassembled.
  - The recommended clamp torque of ref. No. ① : 5 to 5.5 N·m.  
 LOCTITE 263, HENKEL JAPAN or equivalent is recommended to prevent  
 ref. No. ① from loosening.
  - The cable pull and twisting strength, waterproof tightness and other characteristics  
 may differ, depending on the cable structure. Please confirm before the use.

2	PPS	(Black) UL94V-0				
1	Brass	Black chrome plating	3	Acrylonitrile butadiene rubber	(Gray)	
NO.	MATERIAL	FINISH . REMARKS	NO.	MATERIAL	FINISH . REMARKS	
	UNITS mm		SCALE 2 : 1	COUNT 	DESCRIPTION OF REVISIONS	DESIGNED
						CHECKED
						DATE
<b>HRS</b> HIROSE ELECTRIC CO., LTD.	APPROVED	·HY. KOBAYASHI	18.02.26	DRAWING NO.	EDC-110632-31-00	
	CHECKED	·HY. KOBAYASHI	18.02.26	PART NO.	JR25WCCA-14(31)	
	DESIGNED	·TH. KAMEYA	18.02.24	CODE NO.	CL114-2090-5-31	
	DRAWN	·MK. INOUE	18.02.14		1/1	