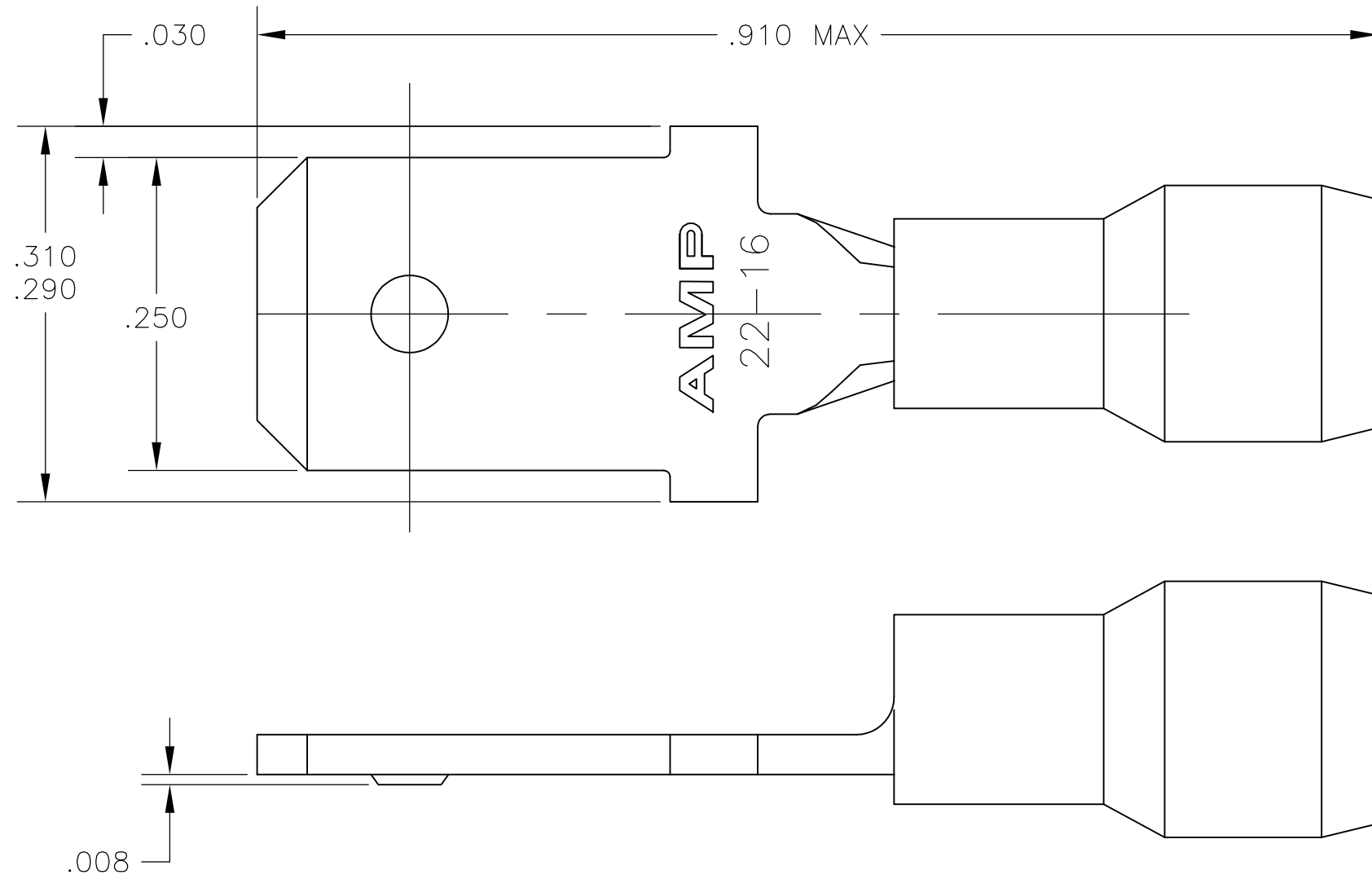



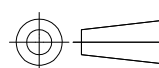
THIS DRAWING IS UNPUBLISHED. RELEASED FOR PUBLICATION
 © COPYRIGHT - By - ALL RIGHTS RESERVED.

LOC	DIST	REVISIONS					
G	86	P	LTR	DESCRIPTION	DATE	DWN	APVD
			K1	REVISED PER ECO-11-004917	11MAR11	RK	HMR



- 1 STAMPED "AMP 22-16".
- 2 WIRE INSULATION DIA .105-.140 .
- 3 MATERIAL THK IS .031±.002
- △ 4 SELECTIVE GOLD PLATE IN WIRE BARREL AND CONTACT AREA

5000	RED, PVC	COPPER, TIN	TAPE MOUNTED	66023-4
500	RED, PVC	COPPER, GOLD △ 4	LOOSE PIECES	66023-3
500	RED, PVC	COPPER, TIN	LOOSE PIECES	66023-2
QTY	SLEEVE	MATERIAL & FINISH	PACKAGING TYPE	PART NO.

THIS DRAWING IS A CONTROLLED DOCUMENT.		DWN JR RUTH 10SEP2002	 TE Connectivity				
DIMENSIONS: INCHES 		CHK T MICHELUTTI 10SEP02				NAME PIDG TAB ASSEMBLY	
TOLERANCES UNLESS OTHERWISE SPECIFIED: 0 PLC ± - 1 PLC ± .1 2 PLC ± .02 3 PLC ± .005 4 PLC ± - ANGLES ± 1°		APVD T MICHELUTTI 10SEP02	PRODUCT SPEC -				
MATERIAL SEE TABLE		FINISH SEE TABLE	APPLICATION SPEC -	SIZE A3	CAGE CODE 00779	DRAWING NO C-66023	RESTRICTED TO -
CUSTOMER DRAWING			WEIGHT -	SCALE 8:1	SHEET 1 OF 1	REV K1	