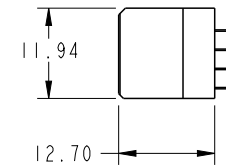
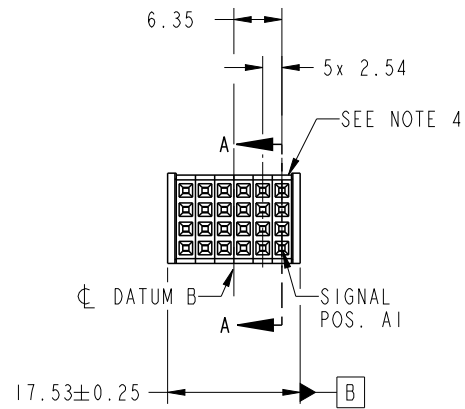


PRODUCT NO.	ROWS	SIGNAL					
		6	5	4	3	2	1
51940-542-- NOTE: 3	D	E	E	E	E	E	E
	C	E	E	E	E	E	E
	B	E	E	E	E	E	E
	A	E	E	E	E	E	E

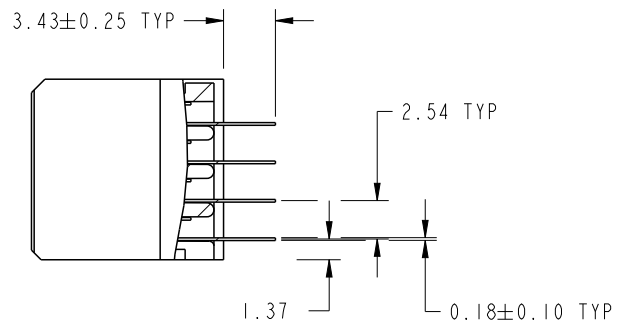


CODE	DIM "M" MATING LENGTH	CONTACT TYPE
E	[N/A]	SIGNAL

spec ref	*	dr	Ruan MT	2014/07/14	projection	MM	size	A4	scale	1:1
tolerance std	TOLERANCES UNLESS OTHERWISE SPECIFIED	eng	De-Ming Lu	2014/08/28			ecn no	-	rel level	Released
SEE NOTE		chr	-	-						
surface	✓	appr	Pei-Ming Zheng	2014/08/28	product family	PwrBlade				
linear		0.X	±0.5		title	24S	dwg no	51940-542	rev	A
		0.XX	±0.25							
	0.XXX	±0.1								
angular	0°	±2°	www.fci.com	cat. no.	*	Product - Customer Drw	sheet 1 of 4			

PRODUCT NUMBER

51940-542\_\_  
NOTE: 3



SECTION A-A  
SCALE 2:1

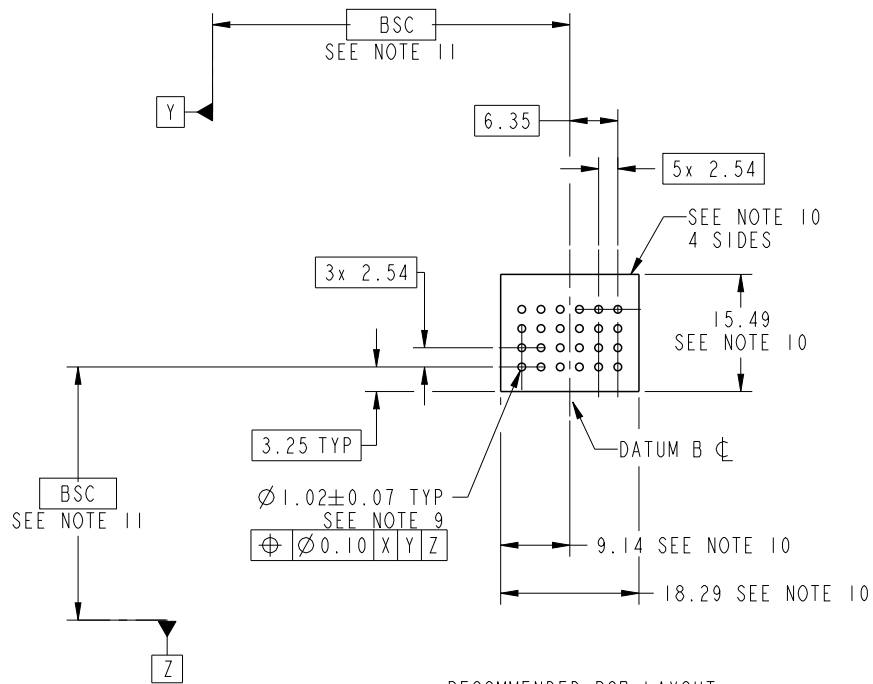


Copyright FCI.

dr	Ruan MT	2014/07/14	projection 	MM ←————→	size	A4	scale	1:1		
eng	De-Ming Lu	2014/08/28			ecn no	-				
chr	-	-			product family	PwrBlade	rel level	Released		
appr	Pei-Ming Zheng	2014/08/28			title	24S VERTICAL STB RECEPT	dwg no	51940-542	rev	A
www.fci.com		cat. no.	*	Product - Customer Drw		sheet 2 of 4				

PRODUCT NUMBER

51940-542\_\_  
NOTE: 3



RECOMMENDED PCB LAYOUT

dr	Ruan MT	2014/07/14	projection 	MM 	size	A4	scale	1:1
eng	De-Ming Lu	2014/08/28			ecn no	-		
chr	-	-			rel level	Released		
appr	Pei-Ming Zheng	2014/08/28	product family	PwrBlade	rev	A		
	title	24S VERTICAL STB RECEPT		dwg no	51940-542			
www.fci.com	cat. no.	*	Product - Customer Drw		sheet 3 of 4			

PRODUCT NUMBER

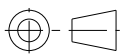
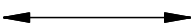

51940-542\_\_  
NOTE: 3

NOTES:

1. DIMENSIONS AND TOLERANCES ARE IN ACCORDANCE WITH ASME Y14.5M, 1994 UNLESS OTHERWISE SPECIFIED.

CONNECTOR NOTES:

- ② HOUSING MATERIAL: UL 94 V-0 GLASS FILLED HIGH-TEMP THERMOPLASTIC  
POWER CONTACT MATERIAL: COPPER ALLOY  
SIGNAL PIN MATERIAL: COPPER ALLOY
- 3. SEE ITEM 5 & 6 IN PRINT 10064183 FOR PLATING SPEC OF 51940-542 AND 51940-542LF RESPECTIVELY.
- ④ MANUFACTURER'S NAME, DATE CODE AND OPTIONAL P/N TO APPEAR ON THIS SURFACE. THE MARK CAN BE OMITTED IF THERE IS NOT ENOUGH SPACE ON THIS SURFACE.
- 5. PRODUCT SPECIFICATION GS-12-149.  
APPLICATION SPECIFICATION BUS-20-067.
- 6. PACKAGED IN TRAYS.
- PCB NOTES:
- 7. ALL HOLE DIAMETERS ARE FINISHED HOLE SIZE.
- ⑧ MOUNTING HOLES, WHERE APPLICABLE, ARE UNPLATED.
- ⑨  $\varnothing 1.151 \pm 0.025$  DRILLED HOLES PLATED WITH  
0.008 MIN SnPb OR Sn OVER 0.03  
TO 0.08 Cu PLATING TO ACHIEVE  
 $\varnothing 1.02 \pm 0.07$  HOLE.
- ⑩ CONNECTOR KEEP-OUT ZONE.
- ⑪ DATUM AND BASIC DIMENSIONS ARE ESTABLISHED BY CUSTOMER.

dr	Ruan MT	2014/07/14	projection 	MM 	size	A4	scale	1:1
eng	De-Ming Lu	2014/08/28			ecn no	-		
chr	-	-			product family	PwrBlade	rel level	Released
appr	Pei-Ming Zheng	2014/08/28			title 24S VERTICAL STB RECEPT	dwg no 51940-542	rev A	
www.fci.com		cat. no.	*	Product - Customer Drw		sheet 4 of 4		