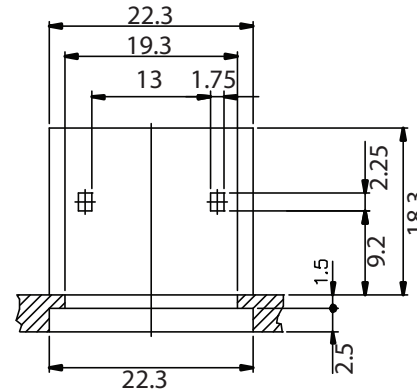
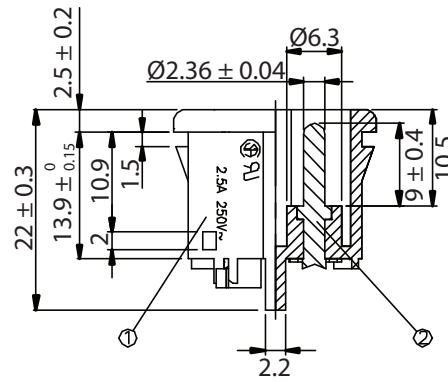
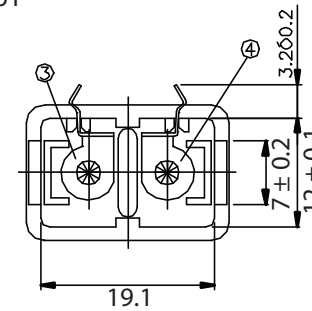
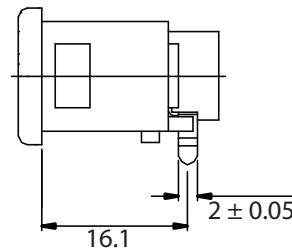
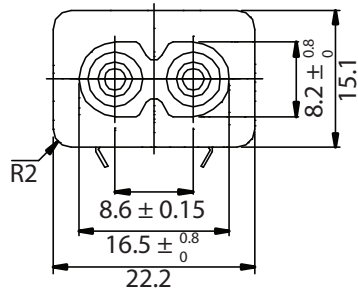


THESE DRAWINGS ARE THE PROPERTY OF QUALTEK ELECTRONICS AND NOT TO BE REPRODUCED FOR OR COMMUNICATED TO A THIRD PARTY WITHOUT THE EXPRESS WRITTEN PERMISSION OF AN OFFICER OF QUALTEK ELECTRONICS.

REVISION			
REV.	DESCRIPTION	DATE	APPROVED
B	RoHS Compliancy	06-01-06	DP



PANEL CUTOUT



CONTROLLED

NOTES:

RATING: 2.5A 250V AC
 APPROVALS: UL, CSA, VDE
 RoHS COMPLIANT

4	Terminal PIN-R Bronze Strip t=0.3mm Tin-Plated	1
3	Terminal PIN-L Bronze Strip t=0.3mm Tin-Plated	1
2	Solid Contact PIN Bronze Strip d=Ø2.36mm Ni-Plated	2
1	Body Insulator PBT 4130 OR PC 940A Black Color	1

Dim range (mm)	Tolerance +/- (mm)	Qualtek Electronics Corp. PPC DIVISION		
0-1	0.15	Part Number: 770W-X2/09		RoHS Compliant
1-6	0.20	Description: AC RECEPTACLE		
6-18	0.30	UNIT: mm	REV. B	
18-50	0.50	Drawn / Date	Checked / Date	Approved / Date
50-120	0.70	B.Zhang 03-13-02	03-13-02	JJH / 03-13-02
120-250	0.90			
250-500	1.20			