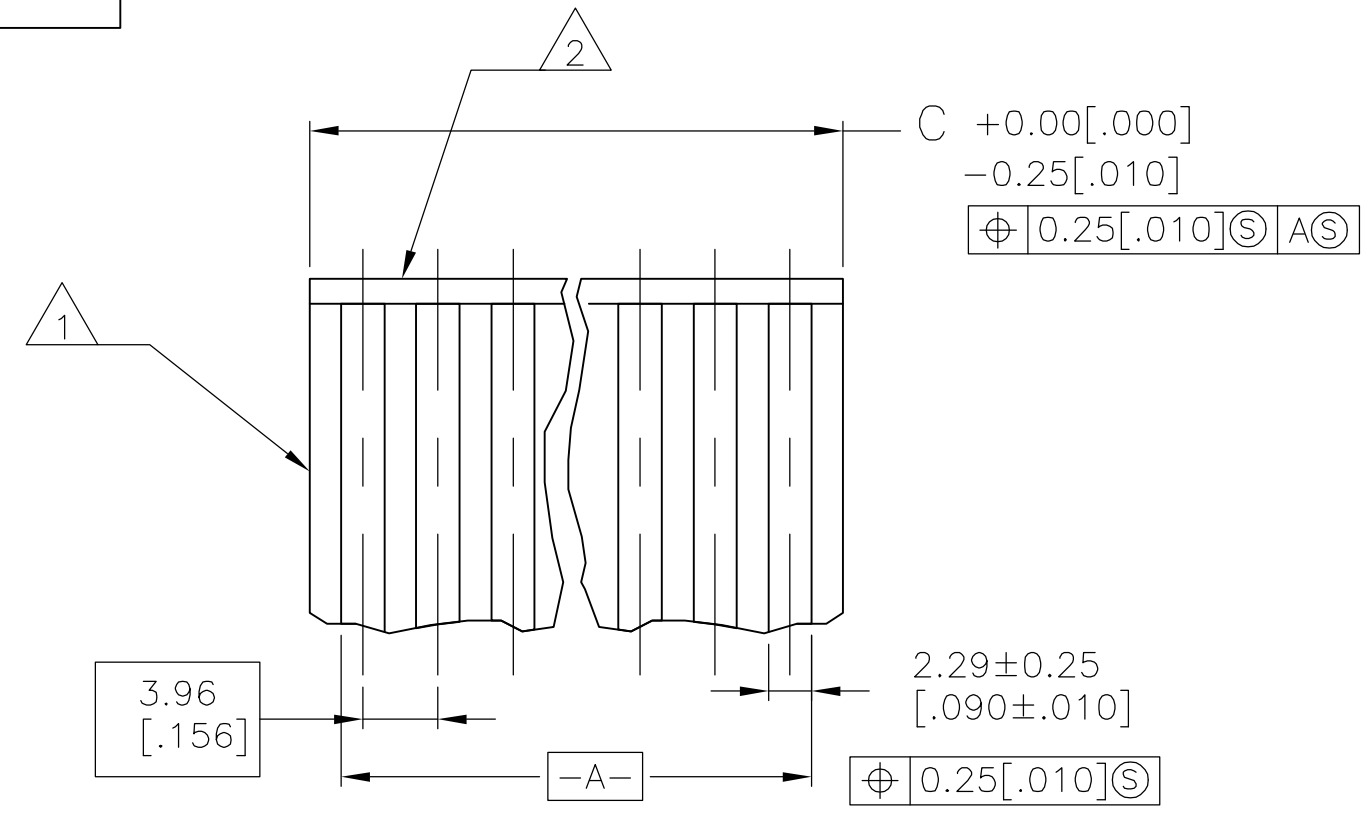
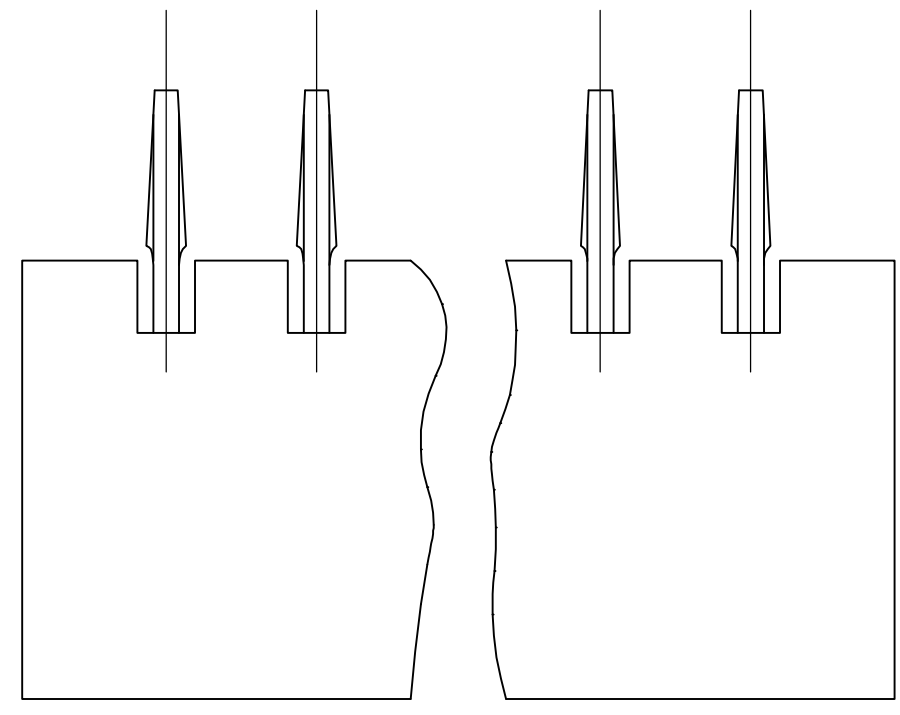


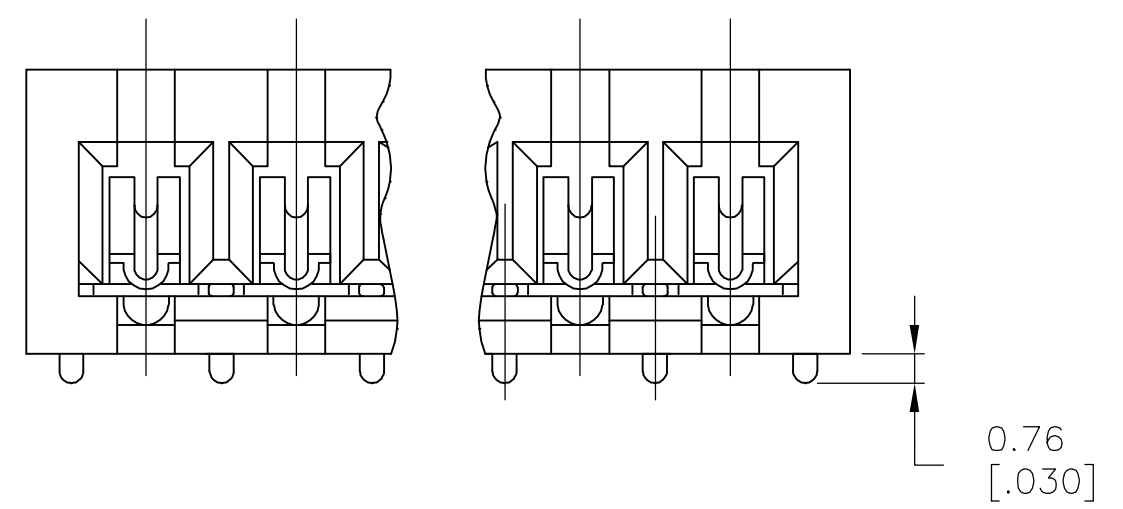
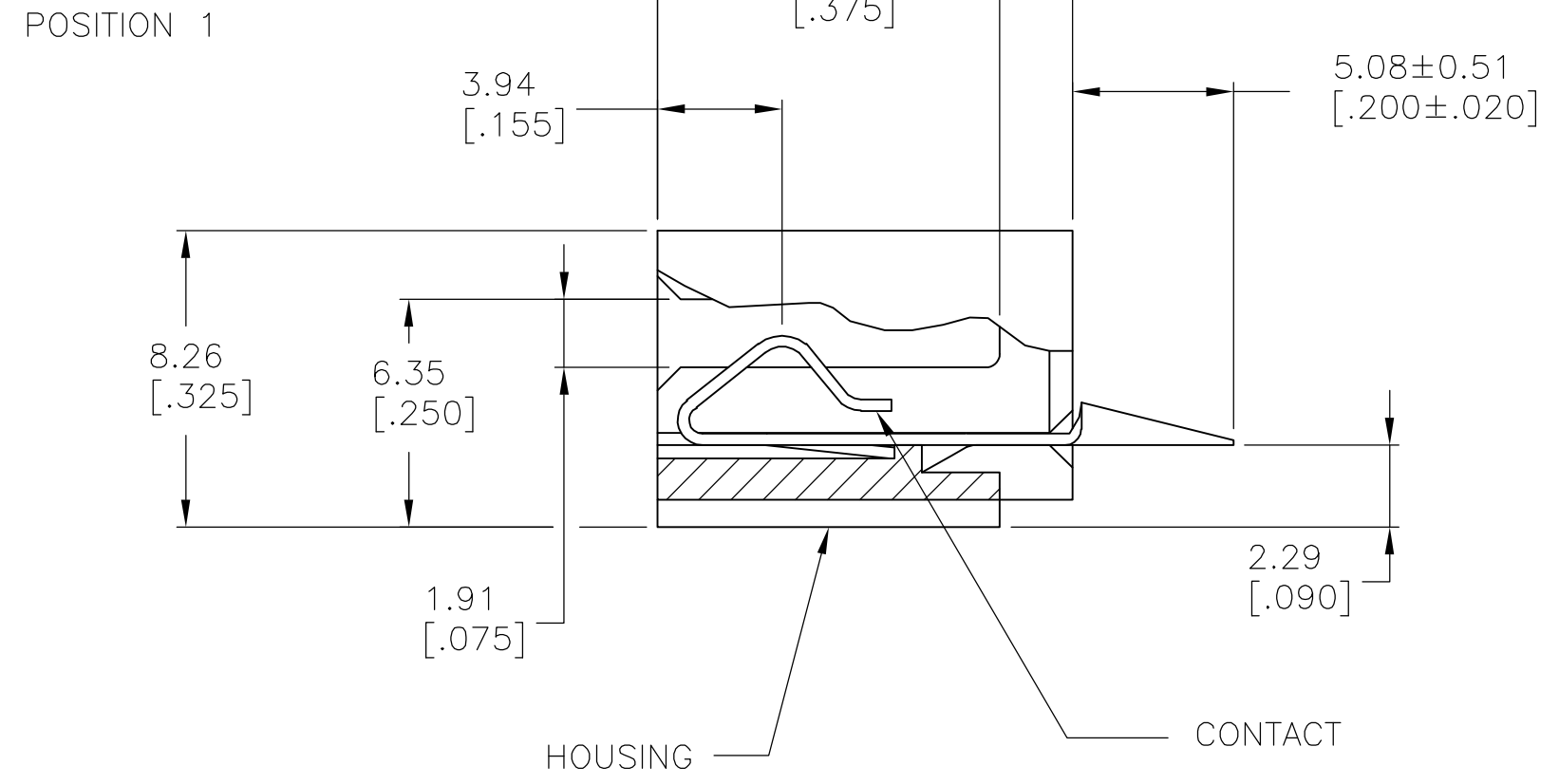
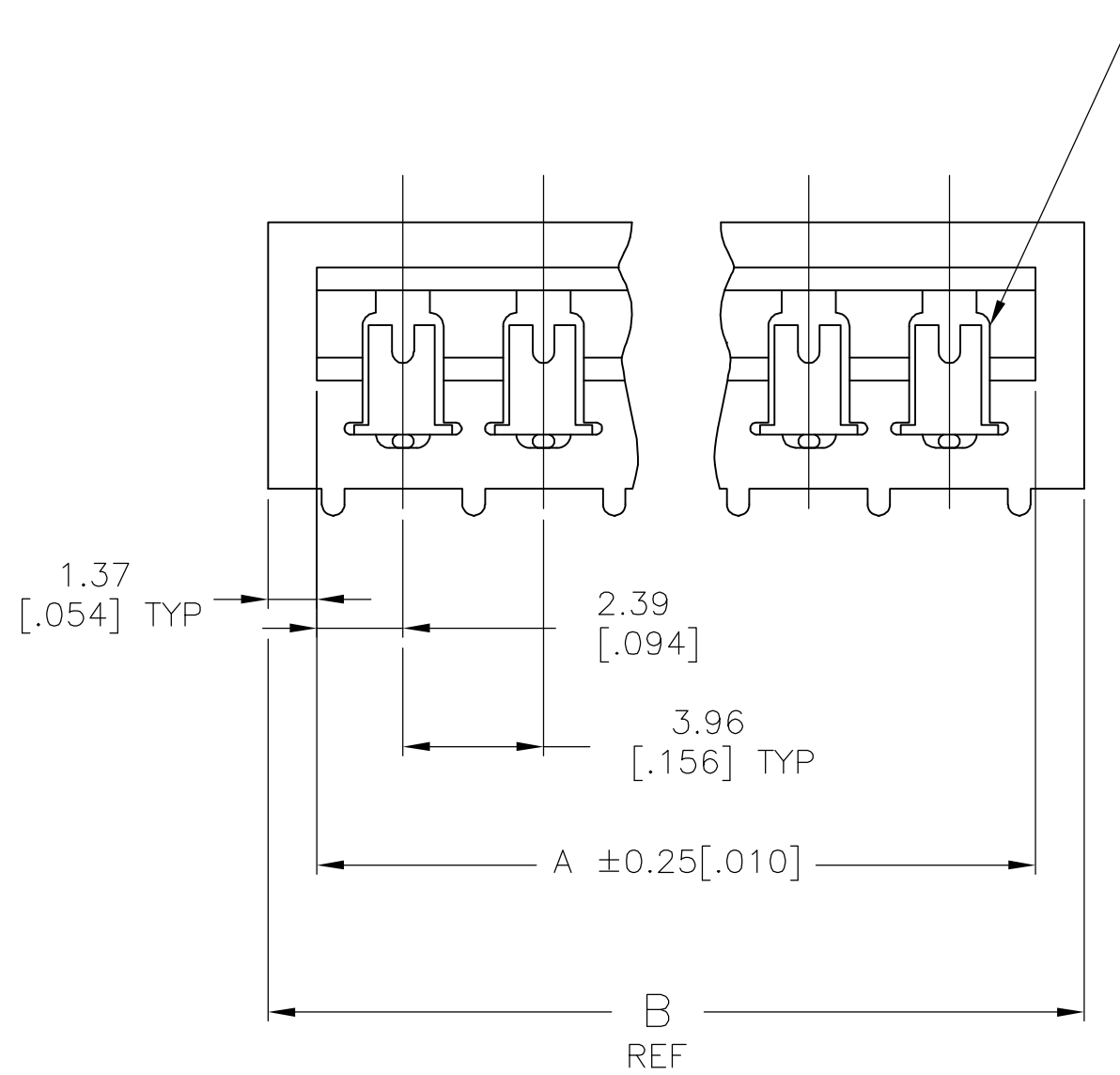
THIS DRAWING IS UNPUBLISHED. RELEASED FOR PUBLICATION
 © COPYRIGHT BY TYCO ELECTRONICS CORPORATION. ALL RIGHTS RESERVED.

LOC	DIST	REVISIONS			
P	LTR	DESCRIPTION	DATE	DWN	APVD
CM	52	01	ECO-05-013104	27JAN06	BSV DB



RECOMMENDED P.C. BOARD LAYOUT

- 1 BOARD THICKNESS TO BE 1.575±0.191[.0620±.0075] INCLUDING CIRCUITRY.
- 2 0.38[.015] MIN X 45° CHAMFER RECOMMENDED ON BOTH SIDES OF BOARD.
- 3 MATERIAL: HOUSING-THERMOPLASTIC POLYESTER, UNREINFORCED, UL94V-0, NATURAL. CONTACT-0.25[.010] BRASS, BRIGHT TIN OR TIN LEAD PLATED 0.00203[.000080] MIN. THICK. SEE FINISH TABLE FOR SPECIFICS
- 4. RECOMMEND 1.57[.062] DIA HOLES FOR SOLDER TAIL TABS.
- 5. PINS NUMBER 4, 8 & 9 ARE OMITTED.
- 6. PARTS COMPLY WITH AMP SOLDERABILITY SPEC 109-11-3.
- 7. DIMENSIONS IN BRACKETS ARE IN INCHES.



TIN	48.13[1.895]	51.16[2.014]	48.41[1.906]	12	3-770857-1
TIN-LEAD	48.13[1.895]	51.16[2.014]	48.41[1.906]	12	770857-1
FINISH	C	B	A	NO OF CIRCUITS	PART NO

METRIC

THIS DRAWING IS A CONTROLLED DOCUMENT.		DWN	18JUL91	Tyco Electronics Corporation Harrisburg, PA 17105-3608			
DIMENSIONS: mm [INCHES]		CHK	18JUL91				
TOLERANCES UNLESS OTHERWISE SPECIFIED:		APVD	18JUL91				
0 PLC	± -	PRODUCT SPEC		EDGE CONNECTOR ASSEMBLY, STRAIGHT SOLDER TAB, SPECIAL, BIFURCATED LEAF			
1 PLC	± -	APPLICATION SPEC					
2 PLC	± -			SIZE	CAGE CODE	DRAWING NO	RESTRICTED TO
3 PLC	± 0.13[.005]			A2	00779	C=770857	-
4 PLC	± -			CUSTOMER DRAWING		SCALE	SHEET
ANGLES	± -			5:1	1 of 1	REV	01
FINISH	3						