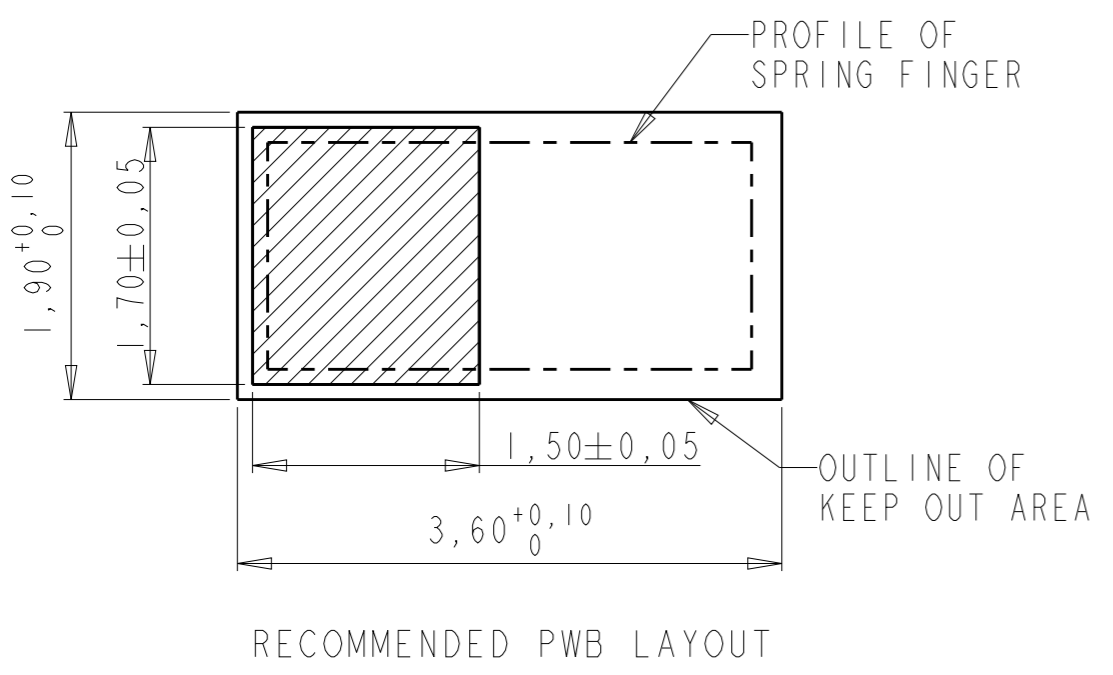
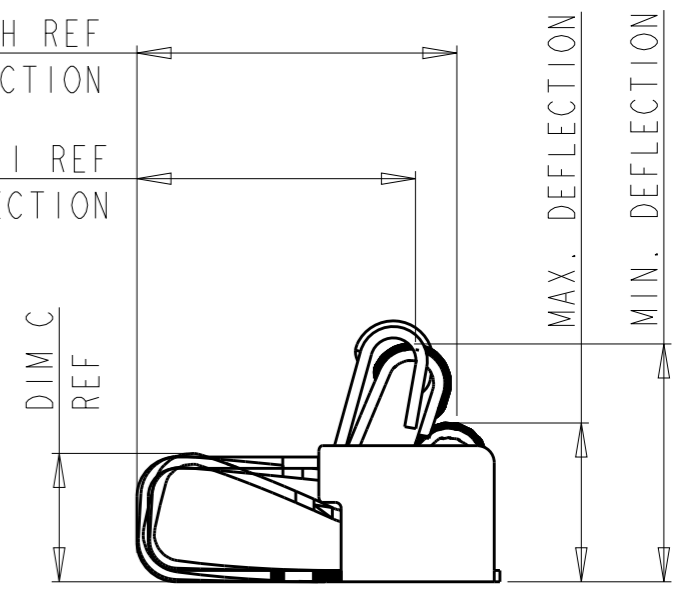
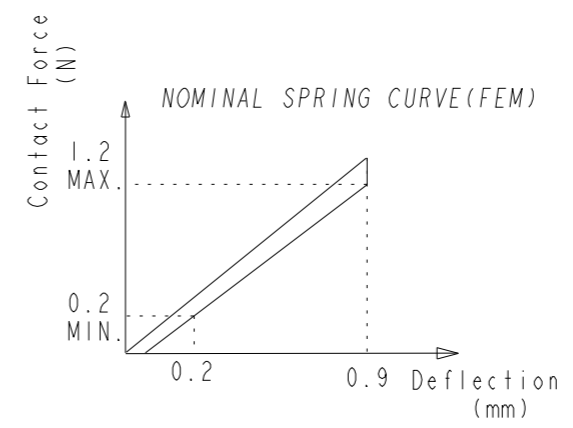
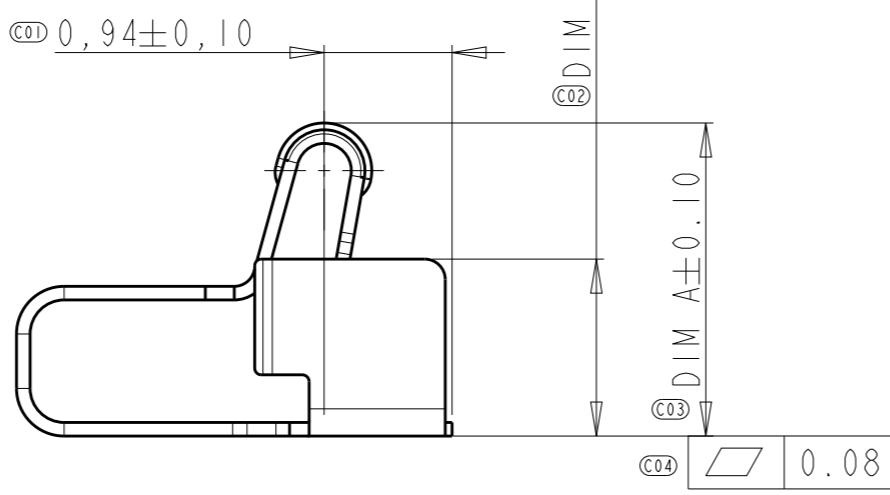
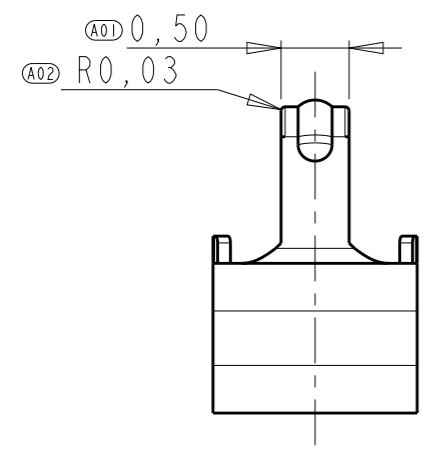
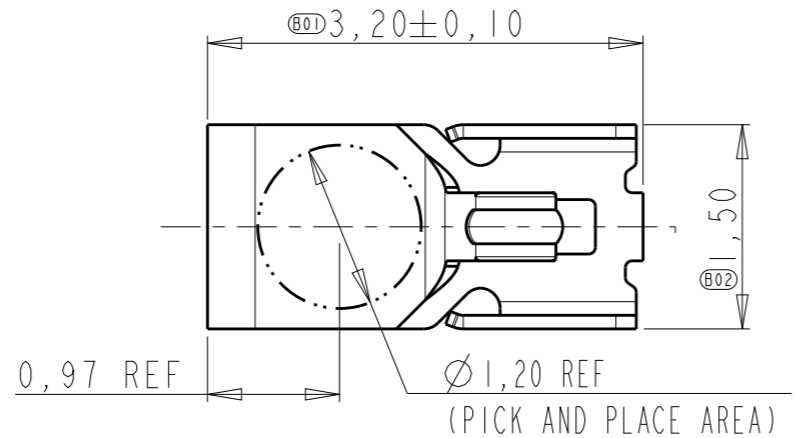
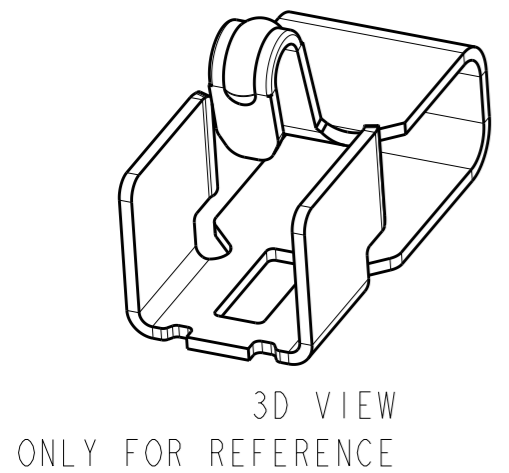


THIS DRAWING IS UNPUBLISHED. RELEASED FOR PUBLICATION  
 © COPYRIGHT - BY - ALL RIGHTS RESERVED.

LOC	DIST	REVISIONS				
P	LTR	DESCRIPTION	DATE	DWN	APVD	
ES	00	A	RELEASED	23JUL2014	J. J	W. H
		AI	ECR-14-015254	15OCT2014	T. Q	W. H

TE P/N	DIM A	DIM B	DIM C	DIM H	DIM I	WORK RANGE	QUANTITY
2199249-3	2.0	1.0	0.83	2.76	2.40	1.1~1.8	7000
2199249-4	2.3	1.3	1.13	2.80	2.44	1.4~2.1	6000

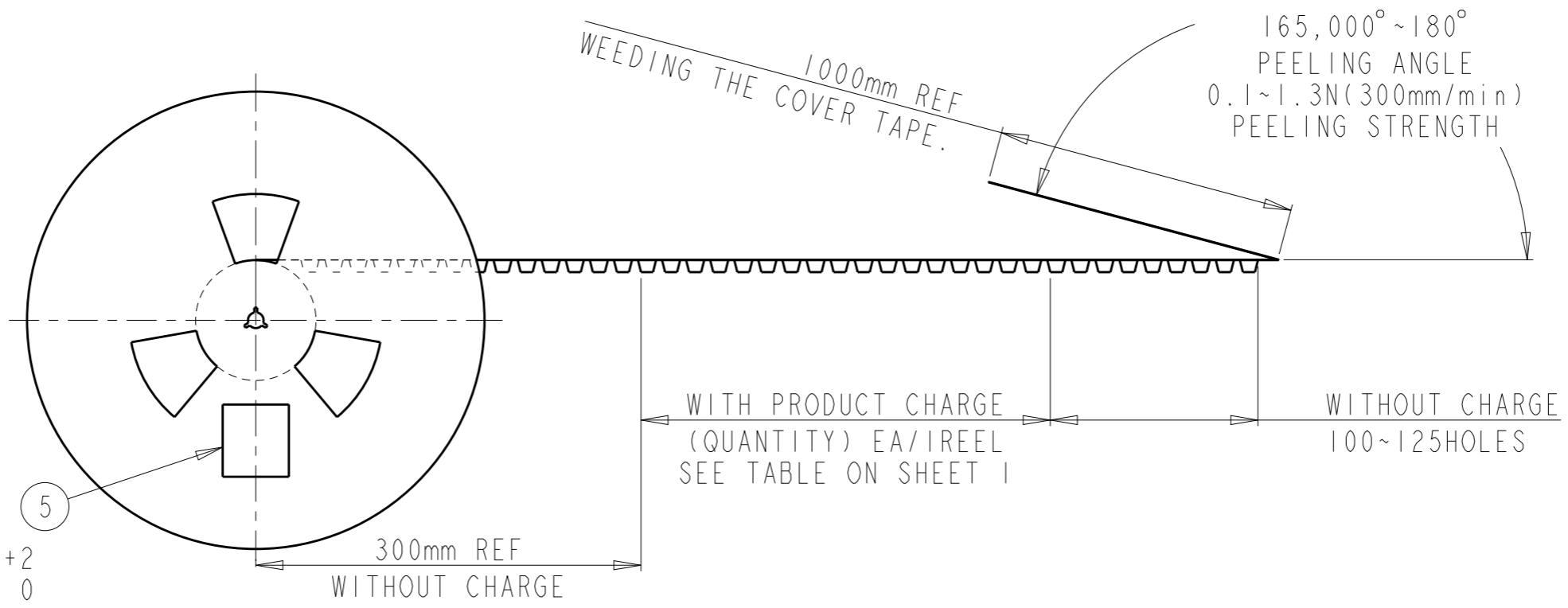
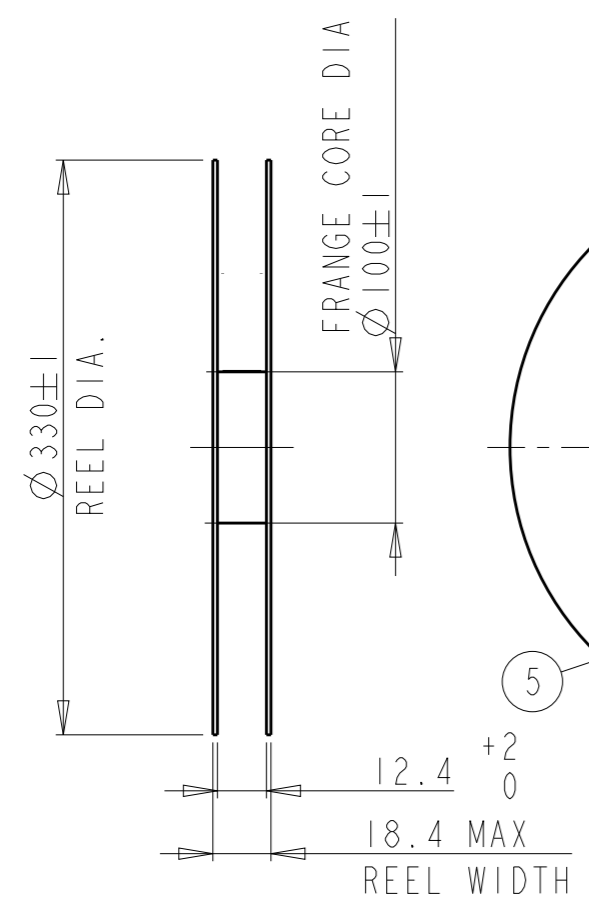
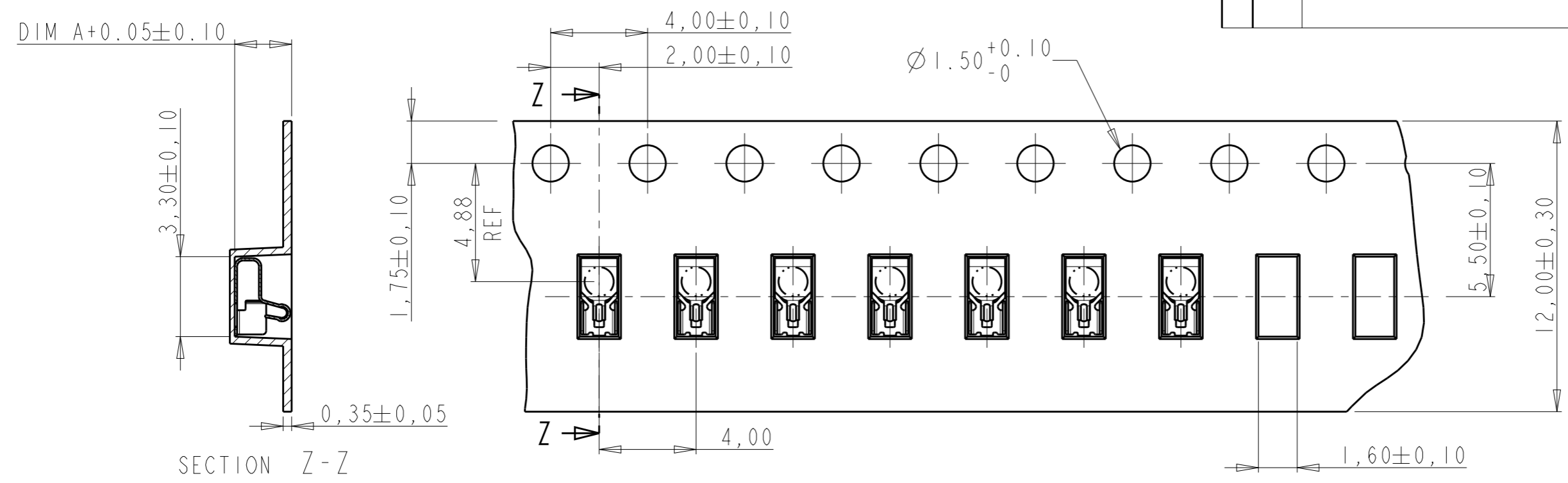


- 1 PART NUMBER: SEE TABLE.
- 2 MATERIAL: PHOSPHOR BRONZE, THICKNESS=0.10MM.
- 3 PLATING: 2um MIN. NICKEL UNDERLAYER ALL OVER  
0,50um MIN. GOLD ON CONTACT SURFACE  
GOLD FLASH ON SOLDERING SURFACE
- 4 PICK AND PLACE SURFACE Ø1.2MM.

THIS DRAWING IS A CONTROLLED DOCUMENT.		DWN 18JAN2013 Tony Zhang	TE Connectivity	
DIMENSIONS: mm		CHK 18JAN2013 Wenke He		
TOLERANCES UNLESS OTHERWISE SPECIFIED:		APVD 18JAN2013 Wenke He	NAME SPRING FINGER TYPE B	
0 PLC ±0.2 1 PLC ±0.15 2 PLC ±0.15 3 PLC ±0.10 4 PLC ANGLES ±5°		PRODUCT SPEC 108-115061-1	RESTRICTED TO	
MATERIAL		APPLICATION SPEC	SIZE A3	CAGE CODE 00779
FINISH		WEIGHT	DRAWING NO C-2199249	SCALE 25:1
		CUSTOMER DRAWING	SHEET 1 OF 2	
		REV AI		

THIS DRAWING IS UNPUBLISHED. RELEASED FOR PUBLICATION  
 © COPYRIGHT BY ALL RIGHTS RESERVED.

LOC	DIST	REVISIONS			
P	LTR	DESCRIPTION	DATE	DWN	APVD
ES	00				



THIS DRAWING IS A CONTROLLED DOCUMENT.		DWN Tony Zhang 18JAN2013	TE Connectivity	
DIMENSIONS: mm		CHK Wenke He 18JAN2013		
TOLERANCES UNLESS OTHERWISE SPECIFIED:		APVD Wenke He 18JAN2013	NAME SPRING FINGER TYPE B	
0 PLC ± 0.2		PRODUCT SPEC 108-115061-1	SIZE A3	
1 PLC ± 0.15		APPLICATION SPEC -	CAGE CODE 00779	DRAWING NO. 2199249
2 PLC ± 0.15		WEIGHT -	RESTRICTED TO -	
3 PLC ± 0.10		CUSTOMER DRAWING	SCALE 5:1	SHEET 2 OF 2
4 PLC ± -				REV A1
ANGLES ± 5°				
MATERIAL				
FINISH				