

4

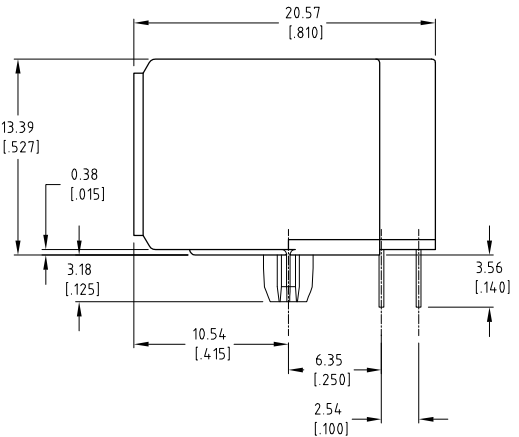
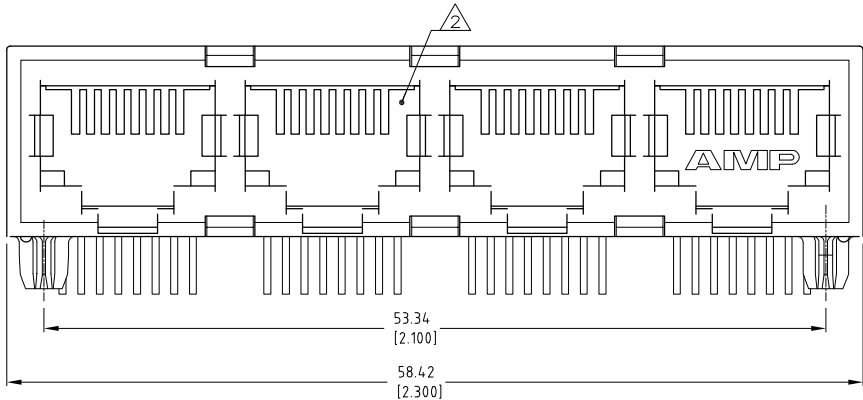
3

2

1

THIS DRAWING IS UNPUBLISHED. RELEASED FOR PUBLICATION
 © COPYRIGHT BY TYCO ELECTRONICS CORPORATION. ALL RIGHTS RESERVED.

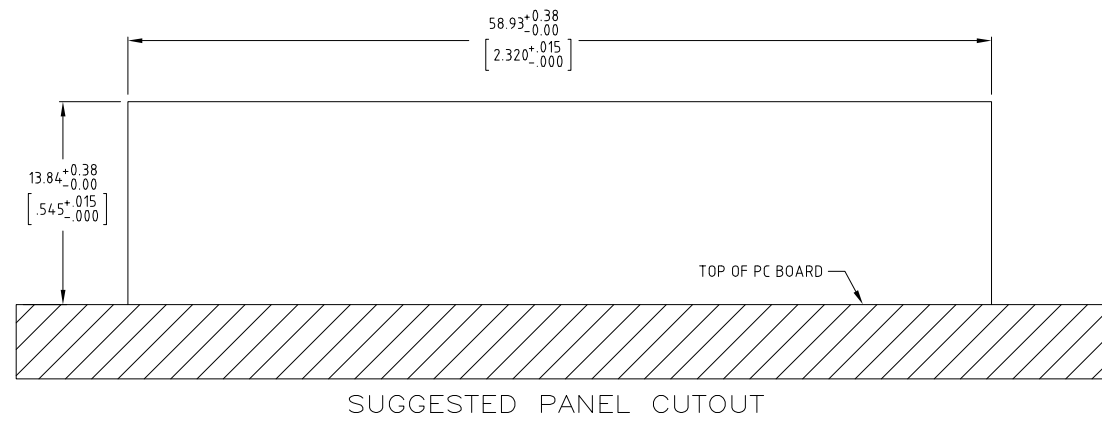
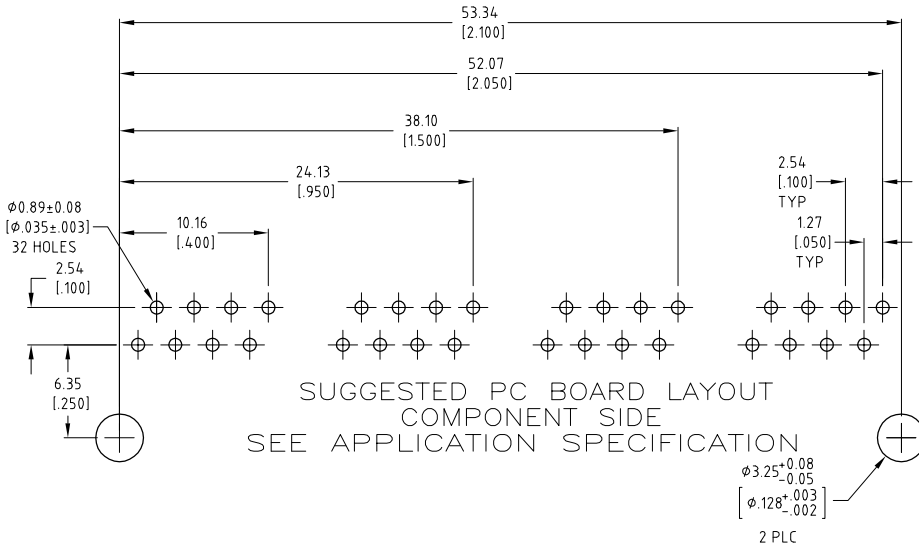
LOC	DIST	REVISIONS			
P	LTR	DESCRIPTION	DATE	OWN	APVD
AA	00				
	A	ECR-09-011323	19MAY2009	TY	SY



1. MATERIAL: HOUSING - HIGH TEMPERATURE NYLON, BLACK, IR COMPATIBLE, UL 94V-0.
 TERMINALS - 0.33[0.013] THICK PHOS BRONZE PLATED WITH 1.27μm[.000050] MINIMUM HARD GOLD ON LOCALIZED AREA AND 3.81μm [.000150] MINIMUM MATTE TIN IN SOLDER AREA OVER 1.27μm [.000050] MINIMUM NICKEL UNDERPLATE.

△ JACK CAVITY CONFORMS TO FCC RULES AND REGULATIONS, PART 68 SUBPART F.

△ CAUTION: CATEGORY 5 JACK SOLDER TAIL POSITIONS DO NOT FOLLOW SAME NUMBER SEQUENCE AS THAT OF THE TRADITIONAL JACKS.



1932371-1
 PART NO.

THIS DRAWING IS A CONTROLLED DOCUMENT.		DRW: TERRY.YU 19MAY2009	Tyco Electronics Corporation Harrisburg, PA 17105-3608	
DIMENSIONS: mm [INCHES]		CHK: MARTIN.LI 19MAY2009	APVD: STEVEN.YAO 19MAY2009	
TOLERANCES UNLESS OTHERWISE SPECIFIED:		NAME: STEVEN.YAO		
0 PLC ± -		PRODUCT SPEC		
1 PLC ± -		108-1392		
2 PLC ± 0.25 [0.010]		APPLICATION SPEC		
3 PLC ± -		114-2048		
4 PLC ± -		SIZE: A2 CAGE CODE: 00779 DRAWING NO: 1932371		
ANGLES ± -		RESTRICTED TO: -		
MATERIAL FINISH		WEIGHT: -		
SEE NOTE 1		CUSTOMER DRAWING		
SEE NOTE 1		SCALE: 4:1 SHEET: 1 of 1 REV: A		

1932371