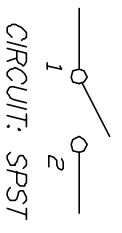
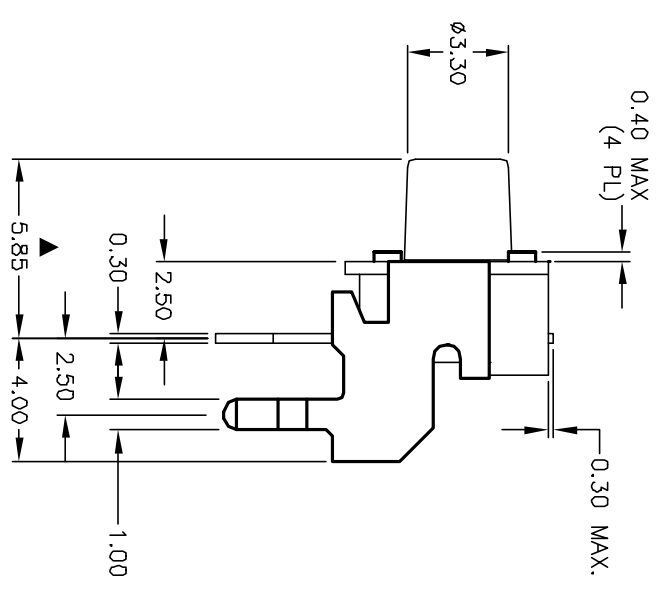
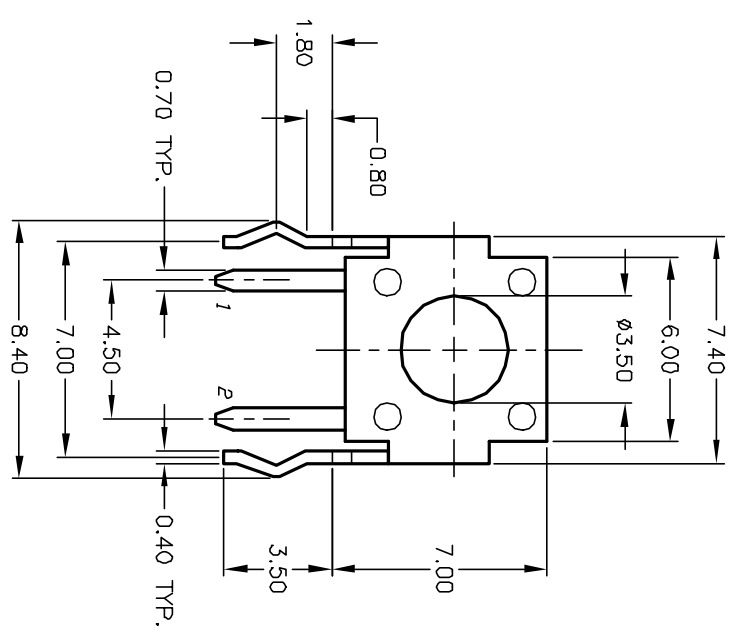


RECOMMENDED P.C.B. LAYOUT



NOTES:

1. ALL DIMENSIONS IN MM
2. GENERAL TOLERANCE: X.X=±0.4
X.XX=±0.25
3. TERM. NOS. FOR REF. ONLY
4. RATING: 50mA, @12V DC
5. TRAVEL: 0.25±0.1mm
6. OPERATING FORCE: 160±50gf
7. CONTACT RESISTANCE: 100 milliohms Max.
8. ELECTRICAL LIFE: 100,000 CYCLES MIN.
9. DESIGNATE MAJOR DIMENSIONS
10. MATERIAL: PPS (STEM & BODY) TO WITHSTAND IR REFLOW TEMP. OF 260°C MAX. FOR 30 SECONDS



E-SWITCH®

C	11844	ADD	TEMPERATURE NOTE	11/28/01	CJB	TITLE	TL 1105 X F160 Q (94 VQ)	DR	CJB	DWG	P020230	REV	C
REV.	ECN No.	DESCRIPTION	DATE	CHKD	SCALE	DATE	4:1						
<p>THE INFORMATION CONTAINED IN THIS DOCUMENT IS PROPRIETARY TO E-SWITCH AND IS NOT TO BE COPIED OR TRANSFERRED</p>													