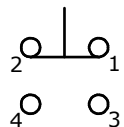


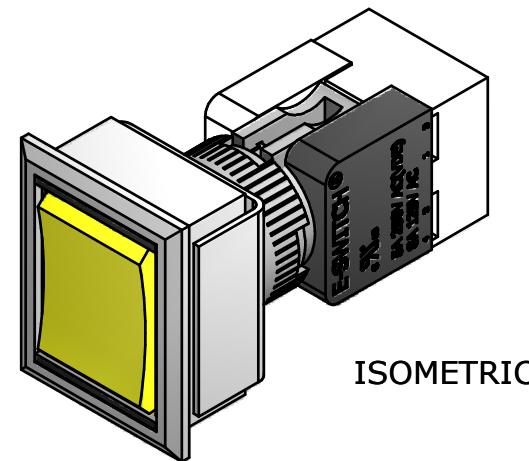
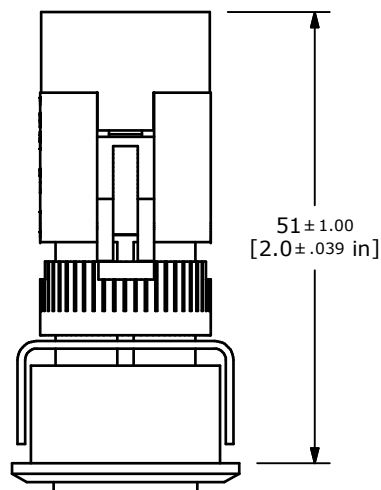
PANEL MOUNTING SPECIFICATIONS



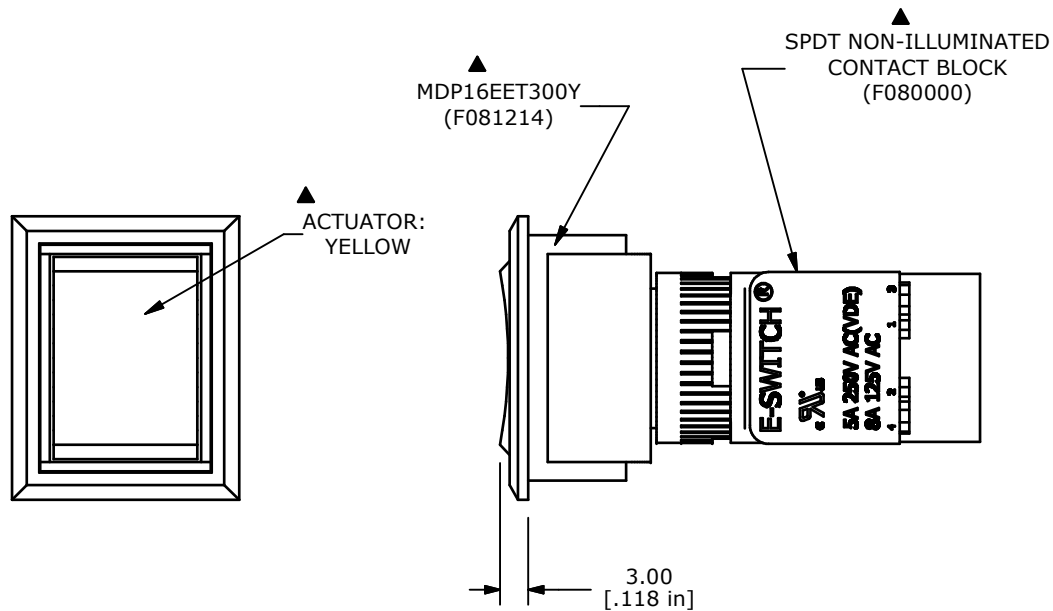
CIRCUIT: SPDT

NOTE:

1. ALL DIMENSIONS IN MM [INCH]
2. GENERAL TOLERANCE: X.X=±0.4
X.XX=±0.25
3. TERMINAL NUMBERS FOR REF ONLY
- ▲4. RATING: UL: 5A @ 250VAC; 8A @125VAC;
VDE: 5A@ 250VAC
- ▲5. INSULATION RESISTANCE: 50 MEGA-OHMS (INITIAL)
6. ELECTRICAL LIFE: 30,000 MAKE-AND-BREAK CYCLES
7. CONTACT MATERIAL: SILVER
8. OPERATING TEMP.: -25°C to 55°C
9. STORAGE TEMP.: -40°C to 70°C
10. ▲ DENOTES CRITICAL PARAMETER.
11. 2002/95/EC (ROHS) COMPLIANT
12. PACKAGING: SHIPPED SEPARATELY IN BULK
13. LAMP: NONE



ISOMETRIC



A	18560	RELEASED FOR PRODUCTION	8/7/09	BLR
REV	PCR NO	DESCRIPTION	DATE	BY

THE INFORMATION CONTAINED IN THIS DOCUMENT IS PROPRIETARY TO E-SWITCH AND IS NOT TO BE COPIED OR TRANSFERRED

TITLE MDP16EET3100Y				
SCALE	DATE	DR	DWG	REV
1.25 : 1	8/7/2009	BLR	XF0800P	A