

CODE	DIM "M" MATING LENGTH	CONTACT TYPE
PB	[N/A]	POWER
F	[6.86]	SIGNAL
HA	[N/A]	HOLD-DOWN
X	OMITTED	OMITTED

spec ref	See Notes		dr	Ruan MT	2012/06/12	projection	MM	size	A4	scale	1:1
tolerance std	TOLERANCES UNLESS OTHERWISE SPECIFIED		eng	Luo Weller	2012/10/11			ecn no	-		
See Notes			chr	-	-			rel level	Released		
surface		linear	0.X	±0.50		product family	PwrBlade		rev 51952-217 A		
			0.XX	±0.25		cat. no.	Product - Customer Drw			sheet 1 of 4	
			0.XXX	±0.10							
		angular	0°	±2°	www.fci.com						



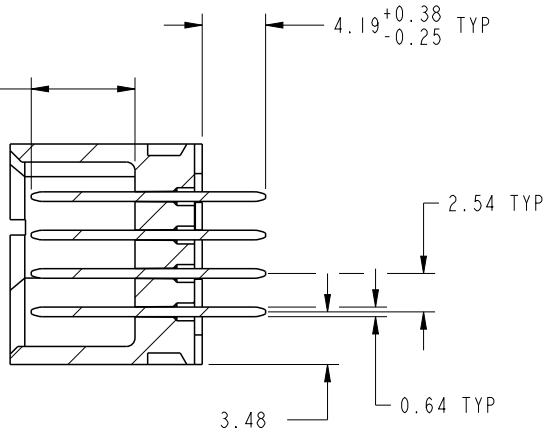
Copyright FCI.

PrdE File - REV C - 2009-06-09

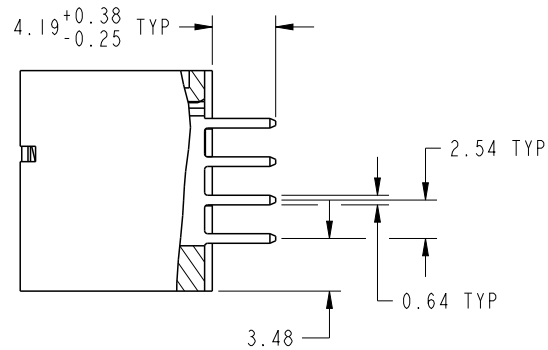
PRODUCT NUMBER

51952-217--
NOTE 3

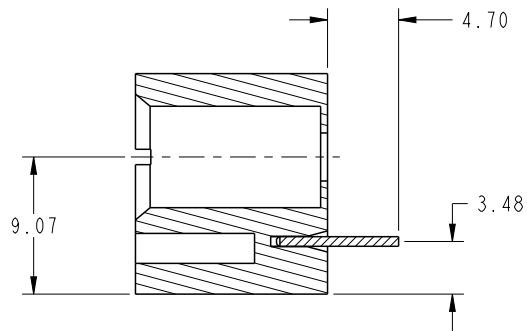
DIM "M" ±0.25



SECTION A-A
SCALE 2:1



SECTION B-B
SCALE 2:1



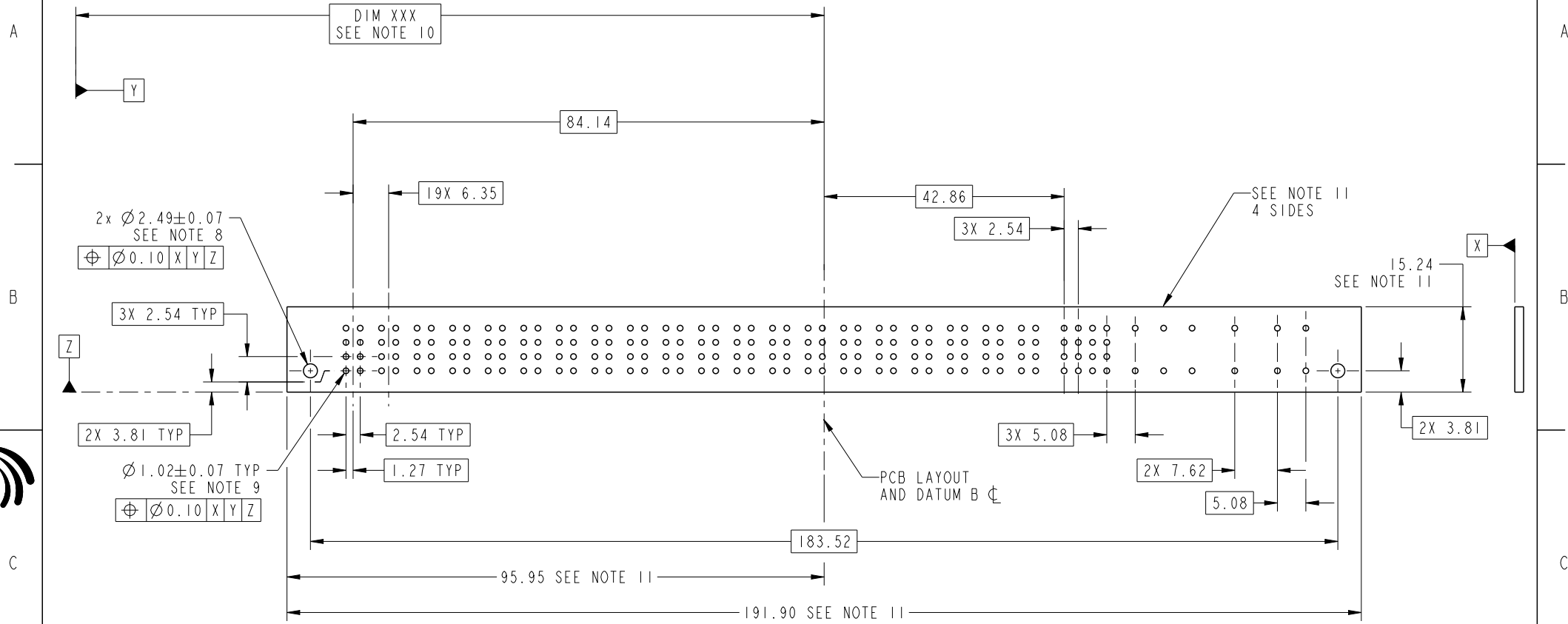
SECTION C-C
SCALE 2:1

dr	Ruan MT	2012/06/12	projection 	MM 	size	A4	scale	1:1
eng	Luo Weller	2012/10/11			ecn no	-		
chr	-	-			rel level	Released		
appr	Pei-Ming Zheng	2012/10/12	product family	PwrBlade	rev	A		
		title	20P +72 S		dwg no	51952-217		
www.fci.com		cat. no.	Product - Customer Drw		sheet	2 of 4		
						VERTICAL SOLDER HEADER		



Copyright FCI.

PRODUCT NUMBER
51952-217--
NOTE 3



RECOMMENDED PCB LAYOUT

dr	Ruan MT	2012/06/12	projection 	MM 	size	A4	scale	1:1
eng	Luo Weller	2012/10/11			ecn no	-		
chr	-	-			rel level	Released		
appr	Pei-Ming Zheng	2012/10/12	product family	PwrBlade				
	title	20P +72 S		dwg no	51952-217		rev	A
www.fci.com	cat. no.	Product - Customer Drw			sheet 3 of 4			



Copyright FCI.

PRODUCT NUMBER

51952-217--
NOTE 3

NOTES:

1. DIMENSIONS AND TOLERANCES ARE IN ACCORDANCE WITH ASME Y14.5M, 1994 UNLESS OTHERWISE SPECIFIED.

CONNECTOR NOTES:

- ② HOUSING MATERIAL: UL 94 V-0 GLASS FILLED HIGH-TEMP THERMOPLASTIC
POWER CONTACT MATERIAL: COPPER ALLOY
SIGNAL PIN MATERIAL: COPPER ALLOY
 - 3. SEE ITEM 1 & 2 IN PRINT 10064183 FOR PLATING SPEC OF 51952-217 AND 51952-217LF RESPECTIVELY.
 - ④ MANUFACTURER'S NAME, DATE CODE AND OPTIONAL P/N TO APPEAR ON THIS SURFACE. THE P/N CAN BE OMITTED IF THERE IS NOT ENOUGH SPACE ON THIS SURFACE.
 - 5. PRODUCT SPECIFICATION GS-12-149.
APPLICATION SPECIFICATION BUS-20-067.
 - 6. PACKAGED IN TRAYS.
- PCB NOTES:
- 7. ALL HOLE DIAMETERS ARE FINISHED HOLE SIZE.
 - 8. MOUNTING HOLES, WHERE APPLICABLE, ARE UNPLATED.

⑨ $\varnothing 1.151 \pm 0.025$ DRILLED HOLES PLATED WITH 0.008 MIN SnPb OR Sn OVER .001 [0.03] TO 0.08 Cu PLATING TO ACHIEVE $\varnothing 1.02 \pm 0.07$ HOLE.

⑩ "DIM XXX" TO BE DETERMINED BY THE CUSTOMER.

⑪ CONNECTOR KEEP-OUT ZONE.

dr	Ruan MT	2012/06/12	projection 	MM 	size	A4	scale	1:1			
eng	Luo Weller	2012/10/11			ecn no	-					
chr	-	-			product family	PwrBlade	rel level	Released			
appr	Pei-Ming Zheng	2012/10/12			title	20P +72 S		dwg no	51952-217	rev	A
www.fci.com		cat. no.	Product - Customer Drw			sheet 4 of 4					



Copyright FCI.