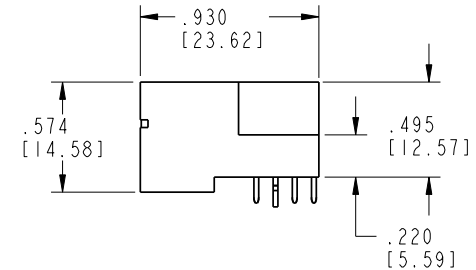
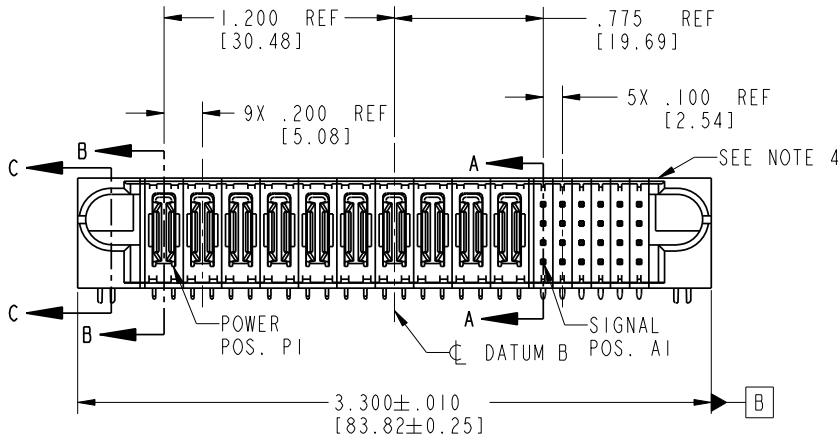
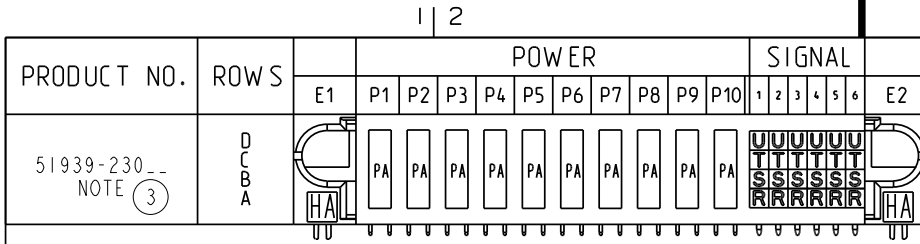


Tous droits strictement réservés. Reproduction ou communication o des liers interdite sous quelque forme que ce soit sans autorisation écrite du propriétaire. Propriété de c FCI. Droits de reproduction FCI.

All rights strictly reserved. Reproduction or issue to third parties in any form whatever is not permitted without written authority from the proprietor. Property of FCI. Copyright FCI.

**FCI**



CODE	DIM "M" MATING LENGTH	CONTACT TYPE
U	.270 [6.86]	SIGNAL
T	.270 [6.86]	SIGNAL
S	.270 [6.86]	SIGNAL
R	.270 [6.86]	SIGNAL
PA	N/A [N/A]	POWER
HA	N/A [N/A]	HOLD-DOWN

mat'l code				SEE NOTE 2		tolerances unless otherwise specified		CUSTOMER	
lir	ecn no.	dr	date	linear	.XX±.01/0.X±0.3	COPY		A FCI www.fciconnect.com	
A	DG06-0108	JMG	03/15/06	angles	.XXX±.005/0.XX±0.13 .XXX±.0020/0.XXX±0.051	projection		title 10P + 24S RIGHT ANGLE SOLDER HEADER	
				dr	JM GUO 03/15/06	INCH/MM		product family PwrBlade code 213	
				enrg	SLUO 03/15/06	scale 1:1		size dwg no A 51939-230 sheet 1 of 4	
				chr	BEER FU 03/15/06				
				appd	JOSEPH HSIA 03/15/06				
sheet index	revision sheet	A	A	A	A				
		1	2	3	4				

CUSTOMER		A FCI www.fciconnect.com	
COPY		title 10P + 24S RIGHT ANGLE SOLDER HEADER	
projection		product family PwrBlade code 213	
INCH/MM		size dwg no A 51939-230 sheet 1 of 4	
scale 1:1			

1 | 2

3 |

4

Pro/E

PDM: Rev: A

STAT: Released

Printed: Dec 20, 2010

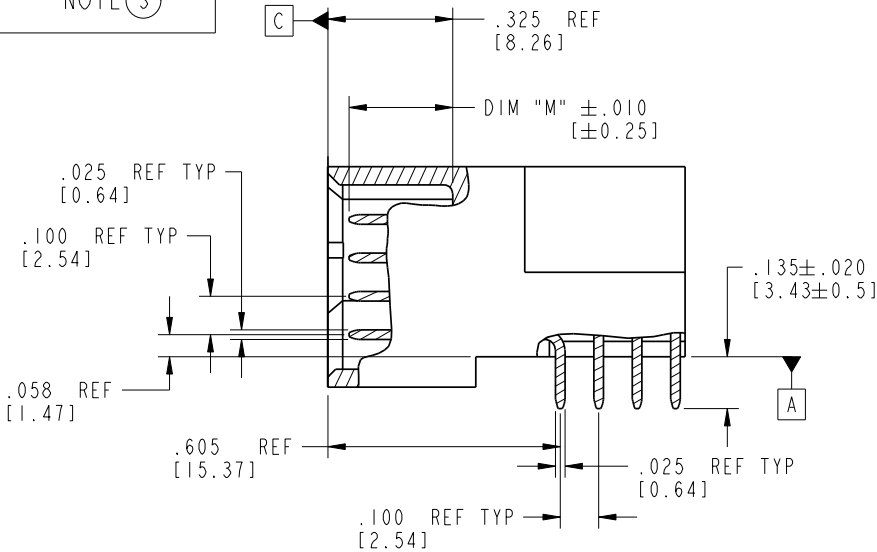
Tous droits strictement réservés. Reproduction ou communication o des liers interdite sous quelque forme que ce soit sans autorisation écrite du propriétaire. Propriété de c FCI. Droits de reproduction FCI.

All rights strictly reserved. Reproduction or issue to third parties in any form whatever is not permitted without written authority from the proprietor. Property of FCI. Copyright FCI.

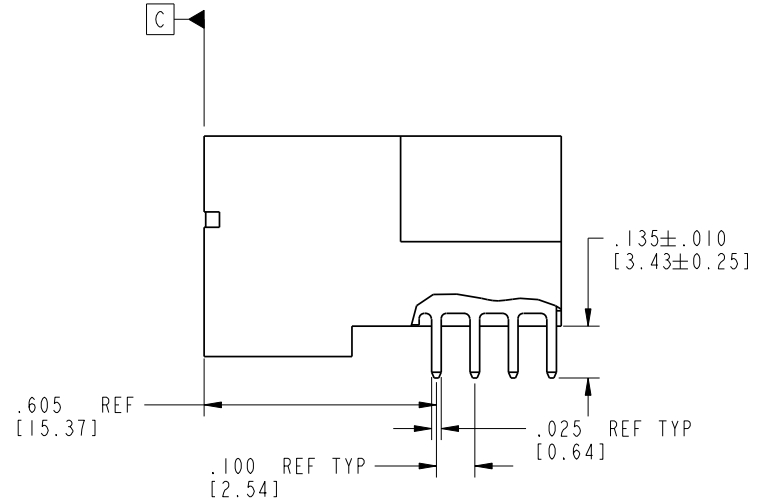
**FCI**

PRODUCT NUMBER

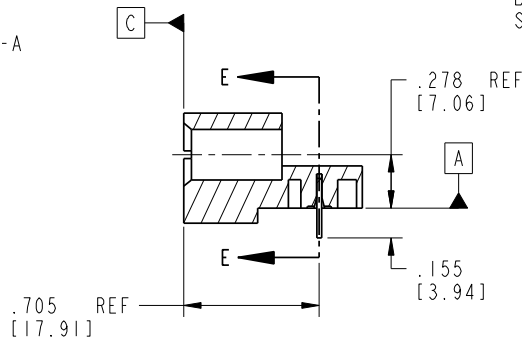
51939-230  
NOTE ③



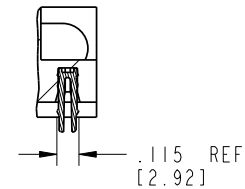
BROKEN-OUT SECTION A-A  
SCALE 2:1




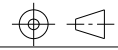
BROKEN-OUT SECTION B-B  
SCALE 2:1



SECTION C-C



SECTION E-E

mat'l code		SEE NOTE 2		tolerances unless otherwise specified		CUSTOMER		 www.fciconnect.com	
lir	ecn no.	dr	date	linear	.XX±.01/0.X±0.3	COPY		title	
A				linear	.XX±.005/0.XX±0.13	projection		10P + 24S	
				angles	.XXX±.0020/0.XXX±0.051			RIGHT ANGLE SOLDER HEADER	
				dr	JM GUO 03/15/06	INCH/MM		product family	
				enrg	SLUO 03/15/06	scale		PwrBlade	
				chr	BEER FU 03/15/06	1:1		code	
				appd	JOSEPH HSIA 03/15/06			size	
sheet index		revision sheet						A 51939-230	
								213	
								sheet	
								2 of 4	

Pro/E

PDM: Rev: A

STAT: Released

Printed: Dec 20, 2010

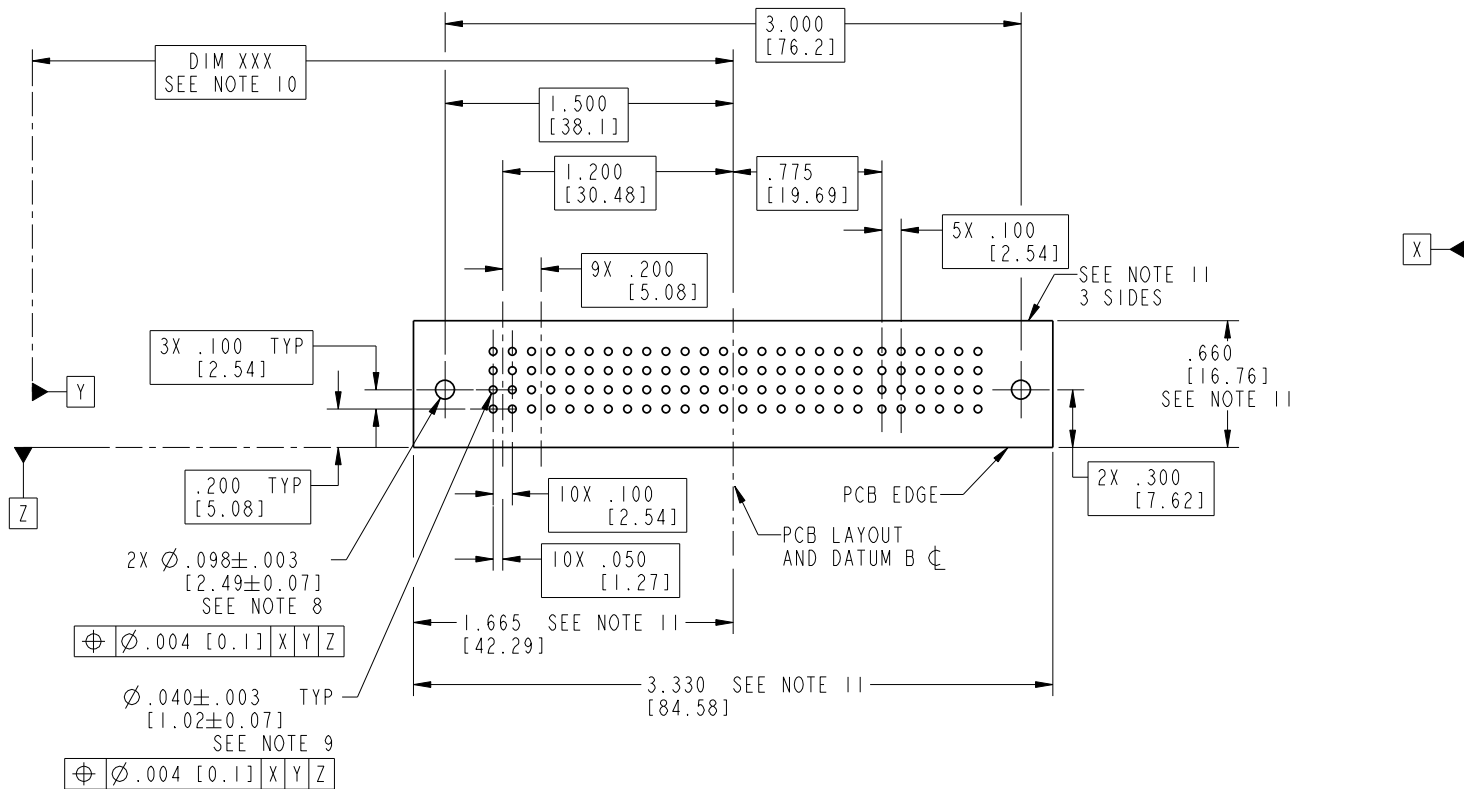
Tous droits strictement réservés. Reproduction ou communication o des liers interdite sous quelque forme que ce soit sans autorisation écrite du propriétaire. Propriete de c FCI. Droits de reproduction FCI.

All rights strictly reserved. Reproduction or issue to third parties in any form whatever is not permitted without written authority from the proprietor. Property of FCI. Copyright FCI.



PRODUCT NUMBER

51939-230\_\_  
NOTE ③



RECOMMENDED PCB LAYOUT

mat'l code		SEE NOTE 2		tolerances unless otherwise specified		CUSTOMER		 www.fciconnect.com	
lir	ecn no.	dr	date	linear	.XX±.01/0.X±0.3	COPY		title	
A				linear	.XX±.005/0.XX±0.13	projection		10P + 24S	
				angles	.XXX±.0020/0.XXX±0.051			RIGHT ANGLE SOLDER HEADER	
				dr	JM GUO 03/15/06	INCH/MM		product family	
				enrg	SLUO 03/15/06	scale		PwrBlade	
				chr	BEER FU 03/15/06	1:1		code	
				appd	JOSEPH HSIA 03/15/06			213	
sheet index	revision sheet							size	
								dwg no	
								A 51939-230	
								sheet	
								3 of 4	

code code 22556

Pro/E

PDM: Rev: A

STAT: Released

Printed: Dec 20, 2010

Tous droits strictement réservés. Reproduction ou communication a des tiers interdite sous quelque forme que ce soit sans autorisation écrite du propriétaire. Propriété de c FCI. Droits de reproduction FCI.

**A**  
**FCI**

All rights strictly reserved. Reproduction or issue to third parties in any form whatever is not permitted without written authority from the proprietor. Property of FCI. Copyright FCI.

**B**

1 | 2

3 |

4

**A**

**B**

**PRODUCT NUMBER**

51939-230\_\_  
NOTE ③

**NOTES:**


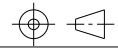
1. DIMENSIONS AND TOLERANCES ARE IN ACCORDANCE WITH ASME Y14.5M, 1994 UNLESS OTHERWISE SPECIFIED.

**CONNECTOR NOTES:**

- ② HOUSING MATERIAL: UL 94 V-0 GLASS FILLED HIGH-TEMP THERMOPLASTIC  
POWER CONTACT MATERIAL: COPPER ALLOY  
SIGNAL PIN MATERIAL: COPPER ALLOY
- 3. PLATING:  
51939-230, 51939-230LF PLATING SPEC. WAS SHOWN IN THE PRINT OF 10064183.
- ④ MANUFACTURER'S NAME, P/N, AND DATE CODE TO APPEAR ON THIS SURFACE.
- 5. PRODUCT SPECIFICATION GS-12-149.  
APPLICATION SPECIFICATION BUS-20-067.
- 6. PACKAGED IN TRAYS.

**PCB NOTES:**

- 7. ALL HOLE DIAMETERS ARE FINISHED HOLE SIZE.
- ⑧ MOUNTING HOLES, WHERE APPLICABLE, ARE UNPLATED.
- ⑨  $\varnothing .0453 \pm .0010$  [1.151  $\pm$  0.025] DRILLED HOLES PLATED WITH .0003 [0.008] MIN SnPb OVER .001 [0.03] TO .003 [0.08] Cu PLATING TO ACHIEVE  $\varnothing .040 \pm .003$  [1.02  $\pm$  .07] HOLE.
- ⑩ "DIM XXX" TO BE DETERMINED BY THE CUSTOMER.
- ⑪ CONNECTOR KEEP-OUT ZONE.

mat'l code		SEE NOTE 2		tolerances unless otherwise specified		CUSTOMER		 www.fciconnect.com	
lir	ecn no.	dr	date	linear	.XX±.01/0.X±0.3	COPY		title	
A					.XXX±.005/0.XX±0.13	projection		10P + 24S	
				angles	.XXX±.0020/0.XXX±0.051			RIGHT ANGLE SOLDER HEADER	
				dr	JM GUO 03/15/06	INCH/MM		product family	
				enrg	SLUO 03/15/06	scale		PwrBlade	
				chr	BEER FU 03/15/06	1:1		code	
				appd	JOSEPH HSIA 03/15/06			size	
sheet index		revision sheet						A 51939-230	
								213	
								sheet 4 of 4	

1 | 2

Pro/E

**PDM: Rev: A**

STAT **US: Released**

Printed: Dec 20, 2010