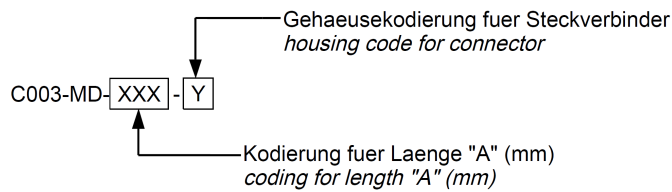


All dimensions are in mm; tolerances according to ISO 2768 c-H



	cable length			
Range length "a"	100 to 1000	1001 to 2000	2001 to 5000	> 5000
Tolerance for "a"	±5	±10	±20	±1%

General Information

RoPD cable assembly with panel plug consisting of

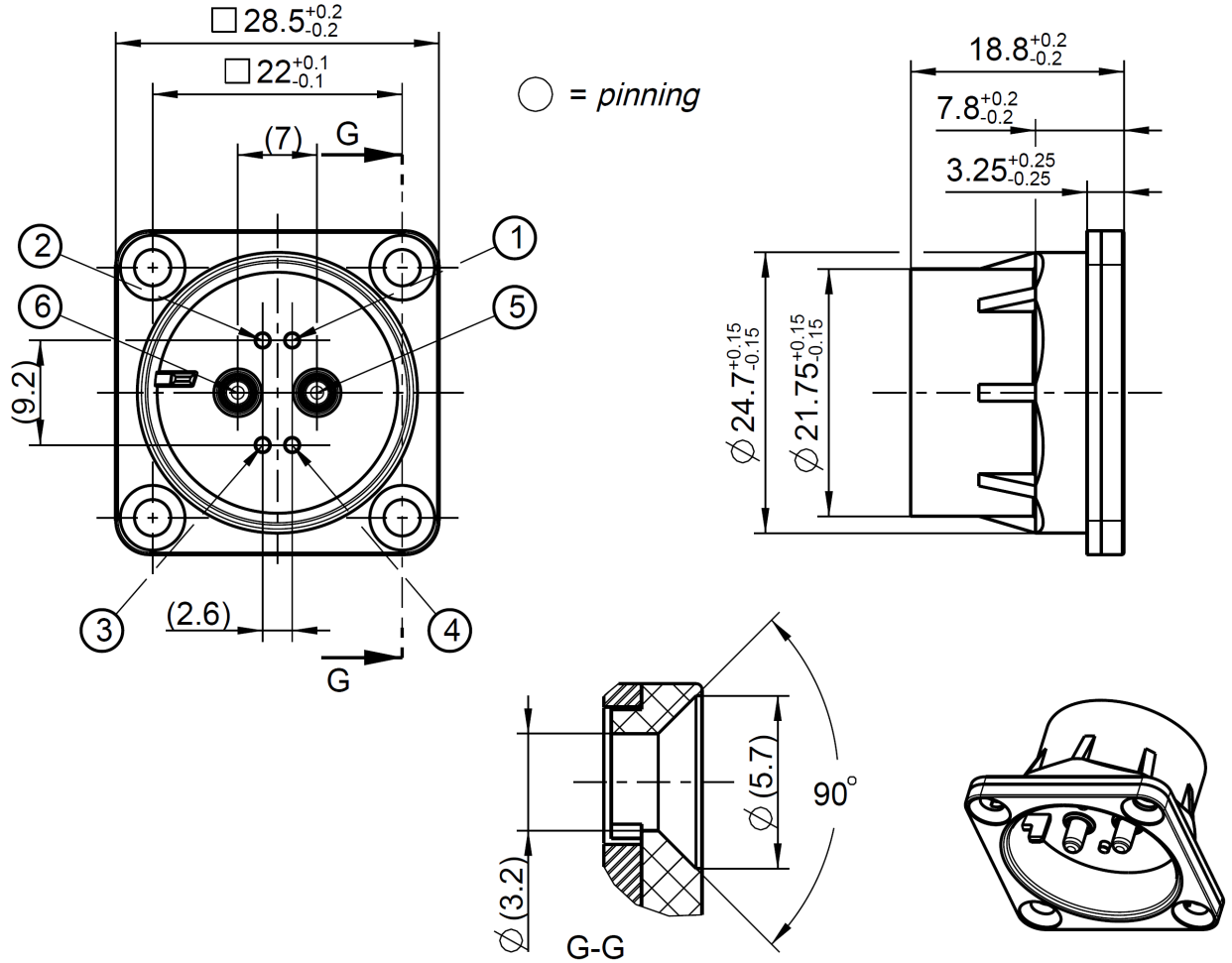
Panel plug with magnets
Second side
Color

Panel plug, straight, 4-hole flange
Open
White, similar RAL 9003

Dieses Dokument ist urheberrechtlich geschützt • This document is protected by copyright • Rosenberger Hochfrequenztechnik GmbH & Co. KG

RF_35/05:10/6.0

Technical Data panel plug



Pin	Farbe/colour	Leitungsquerschnitt/ cable cross section
1	green	0.35 mm ²
2	blue	0.35 mm ²
3	orange	0.35 mm ²
4	brown	0.35 mm ²
5	red	2.5 mm ²
6	black	2.5 mm ²

All dimensions are in mm; tolerances according to ISO 2768 m-H

Interface

According to Rosenberger Standard

Dieses Dokument ist urheberrechtlich geschützt • This document is protected by copyright • Rosenberger Hochfrequenztechnik GmbH & Co. KG

RF_35/05:10/6.0

Material and Plating panel plug

Connector parts

Housing
Casting compound
Magnets

Material

PBT
PU casting resin
NdFeB

Plating / Color

White, similar RAL 9003
Nickel plated

Pins 1-4, spring loaded contacts

Contact Pin

Material

Brass

Plating / Color

Gold plated

Pins 5-6

Power Pin

Material

Copper

Plating / Color

Nickel plated

Flammability rating

Connector parts

Housing
Casting compound
Cable 0.35 mm²
Cable 2.5 mm²

Category

Uncolored raw material acc. to UL94 V-0*
acc. to UL94 V-0
UL-Style 11027-FRNC
UL-Style 10269

*Please note that a non UL rated color batch is added

Electrical data

Pins 1-4

Insulation resistance $\geq 1 \times 100 \text{ M}\Omega$
Contact resistance $\leq 40 \text{ m}\Omega$ initial
Working voltage 12 V
Max. Current 2 A per pin

Pins 5-6

Insulation resistance $\geq 1 \times 100 \text{ M}\Omega$
Power current $\leq 30 \text{ A DC}$
Contact resistance $\leq 7 \text{ m}\Omega$
Working voltage $\leq 60 \text{ V DC}$

Mechanical data

Mating cycles min. 2.500
Disengagement force each contact min. 25 N

Environmental data

Temperature range	-40 °C to +65 °C
Thermal shock	DIN IEC 60068-2-14 Test NA
Temperature and humidity	DIN EN 60068-2-30 (2)
Vibration resistance	3 axes, 6h, 10Hz-180Hz, 12.38m/s ²
Shock resistance	3 axes, 150 shocks, 6ms, 30g
Mechanical Shock	DIN IEC 60068-2-27
High-Temp. Exposure	DIN IEC 60068-2-2
Degree of protection (connected with plug)	DIN EN 60529 IP 64 / IP 67
RoHS	compliant

Additional parts (optional)

Cap	M4Z003-000 (black)
-----	--------------------

Packing

According to VK 18.0000	Packaging Instruction for standard packaging of components with magnets. Packing unit depends on cable length, max. 8kg
-------------------------	--

Safety instruction

Caution

Magnets can impact the function of pace makers and implantable cardioverter-defibrillators (e.g. actuation of reed switch). Keep a minimum distance of 0.50 m (50 cm) from magnetic components in order to prevent malfunction and danger to health.

Preliminary

Warning!

**Customer is responsible for implementing adequate safety measures:
Power supply to Pins 5 & 6 must be deactivated unless they are completely plugged in.
Power to pins 5 & 6 must only be activated upon full insertion of signal pins 1 - 4.
Misuse may damage contact!**

While the information has been carefully compiled to the best of our knowledge, nothing is intended as representation or warranty on our part and no statement herein shall be construed as recommendation to infringe existing patents. In the effort to improve our products, we reserve the right to make changes judged to be necessary.

Draft	Date	Approved	Date	Rev.	Engineering change number	Name	Date
T. Scheuerlein	02.02.17	T. Scheuerlein	03.03.17	100	17-v173	M. Schönsmal	03.03.17
Rosenberger Hochfrequenztechnik GmbH & Co. KG P.O.Box 1260 D-84526 Tittmoning Germany www.rosenberger.de					Tel. : +49 8684 18-0 Fax : +49 8684 18-499 Email : info@rosenberger.de		Page 4 / 4