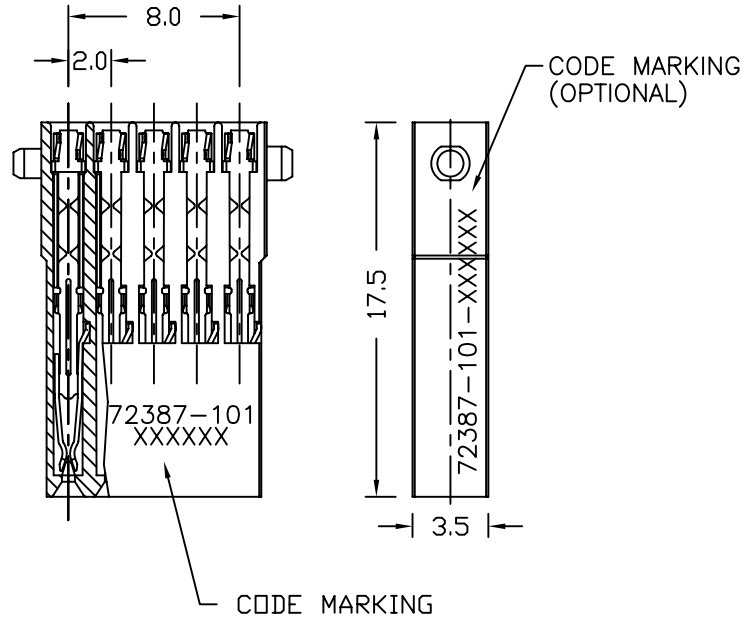
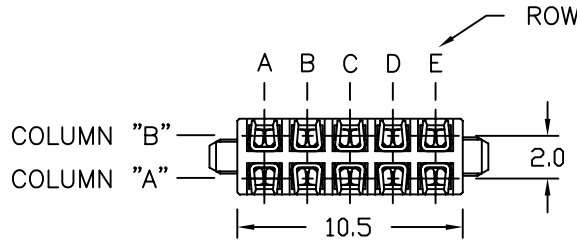


NOTES:

1. SEE APPLICATION SPECIFICATION GES-20-003 FOR INSTRUCTIONS ON WIRE INSERTION AND ASSEMBLY OF COMPONENTS FOR CONNECTORS USING THESE SUB-ASSEMBLIES.
2. THE PRODUCTS WHERE THE PART NUMBER ENDS IN LF MEET THE EUROPEAN UNION DIRECTIVES AND OTHER COUNTRY REGULATIONS AS DESCRIBED IN GS-22-008.
3. THESE PRODUCTS LISTED ON THIS DRAWING WILL NOT WITHSTAND WAVE SOLDER OR REFLOW OPERATIONS.
4. FOR LEAD FREE PART NUMBERS, ADD AN 'LF' SUFFIX. EXAMPLE: 72387-1011LF.

MATERIAL

- INSULATORS
GLASS FILLED 612 POLYAMIDE
- CONTACTS
PHOSPHOR BRONZE
- SOLDER FINISH ON IDC DIMPLES



mat'l. code				surface ASME Y14.5		tolerance ASME Y14.5		projection		product family	
tolerances unless otherwise specified				X #3		XX #18		XXX #051		METRAL	
ltr	ec'n no	dr	date	angles	fil	fin	scale	title			
A	V71561	JRV	11/6/97				1:1	2X5 CONNECTOR SUB-ASSEM. 5 ROW METRAL UNSHIELDED CABLE CONNECTOR ASSY.			
B	V12562	CGD	10/22/01					dwg no			
C	V05-0598	VS	08/10/05	0° ±2'				sheet 1 of 2			
D	V06-0145	JRV	2/10/06	dr	J	J VOLSTROF		size			
E	V06-0613	JRV	2006-06-22	engr	J	J VOLSTROF		72387			
				chr	J	J VOLSTROF		A4			
				appd	J	J VOLSTROF		type			
								CUSTOMER Drawing			
sheet	revision	E	E								
index	sheet	1	2								

ORDERING INFORMATION

ORDER PARTS 72387-XOY1 WHERE
PLATING ON CONTACT TINES.

- X=1 FOR 0.8 um GOLD
- X=2 FOR 2.0 um GOLD
- X=3 FOR 1.3 um GOLD
- X=9 FOR 0.8 um GXT

COPPER WIRE SIZE

- Y=1 FOR 26 TO 24 GAGE
- Y=2 FOR 30 TO 28 GAGE
- IDC AREA PLATING SnPb

ORDERING INFORMATION

ORDER PARTS 72387-XOY1LF WHERE
PLATING ON CONTACT TINES.

- X=1 FOR 0.8 um GOLD
- X=2 FOR 2.0 um GOLD
- X=3 FOR 1.3 um GOLD
- X=9 FOR 0.8 um GXT

COPPER WIRE SIZE

- Y=1 FOR 26 TO 24 GAGE
- Y=2 FOR 30 TO 28 GAGE
- IDC AREA PLATING Sn (LEAD FREE)

mat'l. code				surface ASME Y14.5 <input checked="" type="checkbox"/>		tolerance ASME Y14.5		projection 		product family METRAL	
ltr	ecn no	dr	date	tolerances unless otherwise specified						title 2X5 CONNECTOR SUB-ASSEM. 5 ROW METRAL UNSHIELDED CABLE CONNECTOR ASSY.	
E				angles	mm	X #3 XX #18 XXX #051		scale 1:1		dwg no 72387	
				dr	J VOLSTROF	11/6/97				sheet 2 of 2	
				engr	J VOLSTROF	11/6/97				size A4	
				chr	J VOLSTROF	11/6/97				type CUSTOMER Drawing	
				appd	J VOLSTROF	11/6/97					
sheet index	revision sheet										