



**Mallory Sonalert Products, Inc.**

Part #:

**SBT12M0PC**

**Sales Outline Drawing**

Revision:

**D**

**Specifications:**

**cUL Recognized as Capable of meeting Medical Spec IEC60601-1-8**

Sound Level Category:	Loud
Mode of Operation:	Continuous
Voltage Rating:	9 to 12 VDC
Frequency:	150 to 4000 Hz
Loudness @ 10cm:	85 to 95 dB(A) Typ.
Average Current Draw:	<25mA Typ.
l <sub>pk</sub> Current*:	75mA
Housing Material:	ABS 777D Plastic Resin, Black
Storage Temperature:	-40° to +85° C
Operating Temperature:	-30° to +65° C
Weight Typical:	0.6 oz (17g)
Options:	Please contact factory.

**Dimensions:**

Inches (mm)

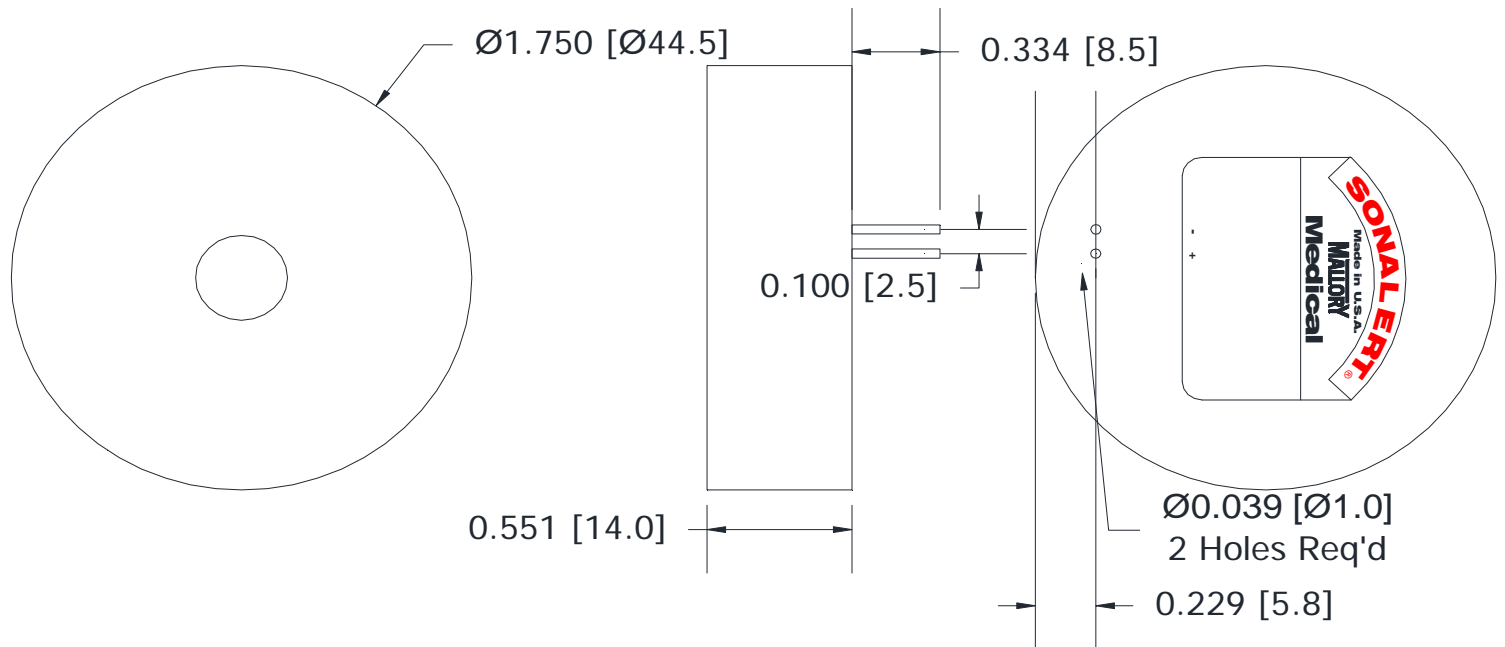
**cUL Recognized**

**ROHS Compliant**

PATENT NUMBER: 7880593

Before Code Date: 1546 Not cUL Recognized

After Code Date: 1547 cUL Recognized



\*l<sub>pk</sub> = Instantaneous Peak