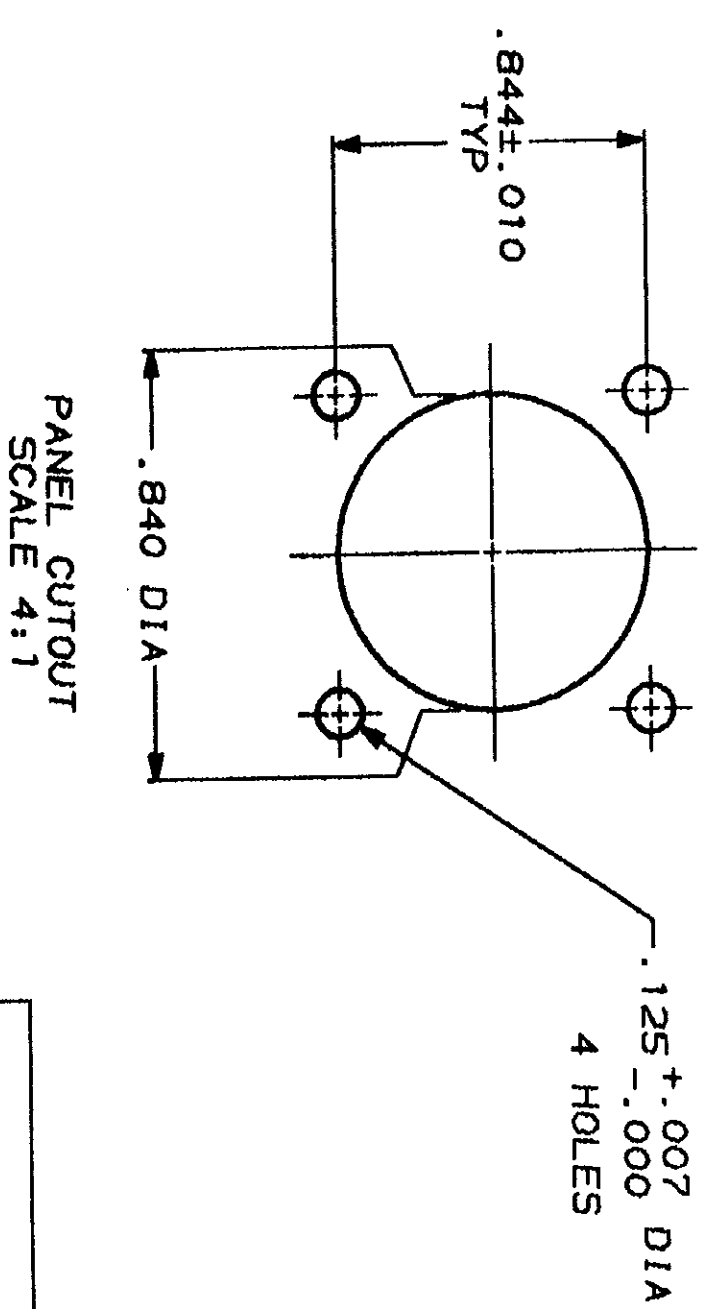
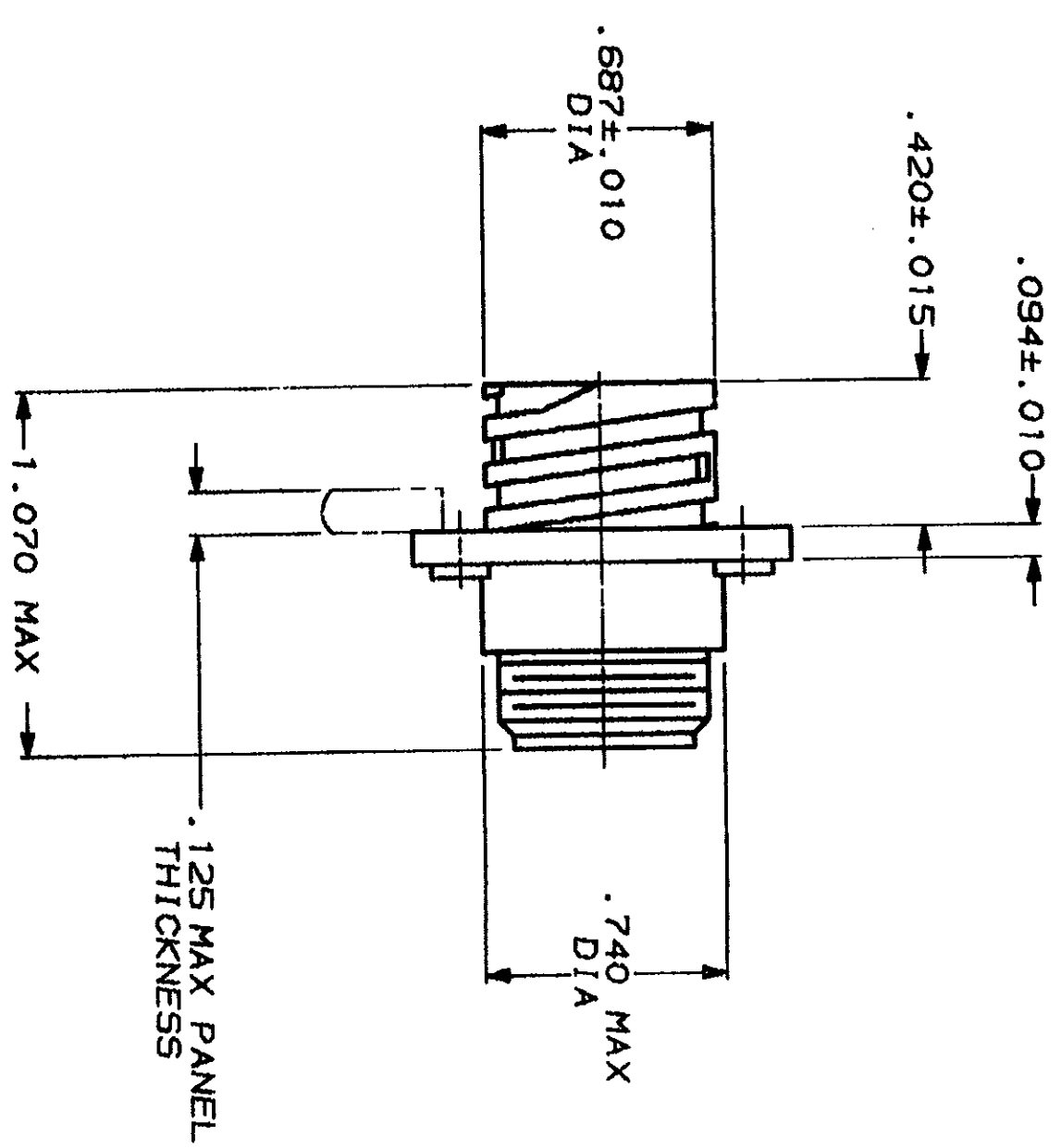
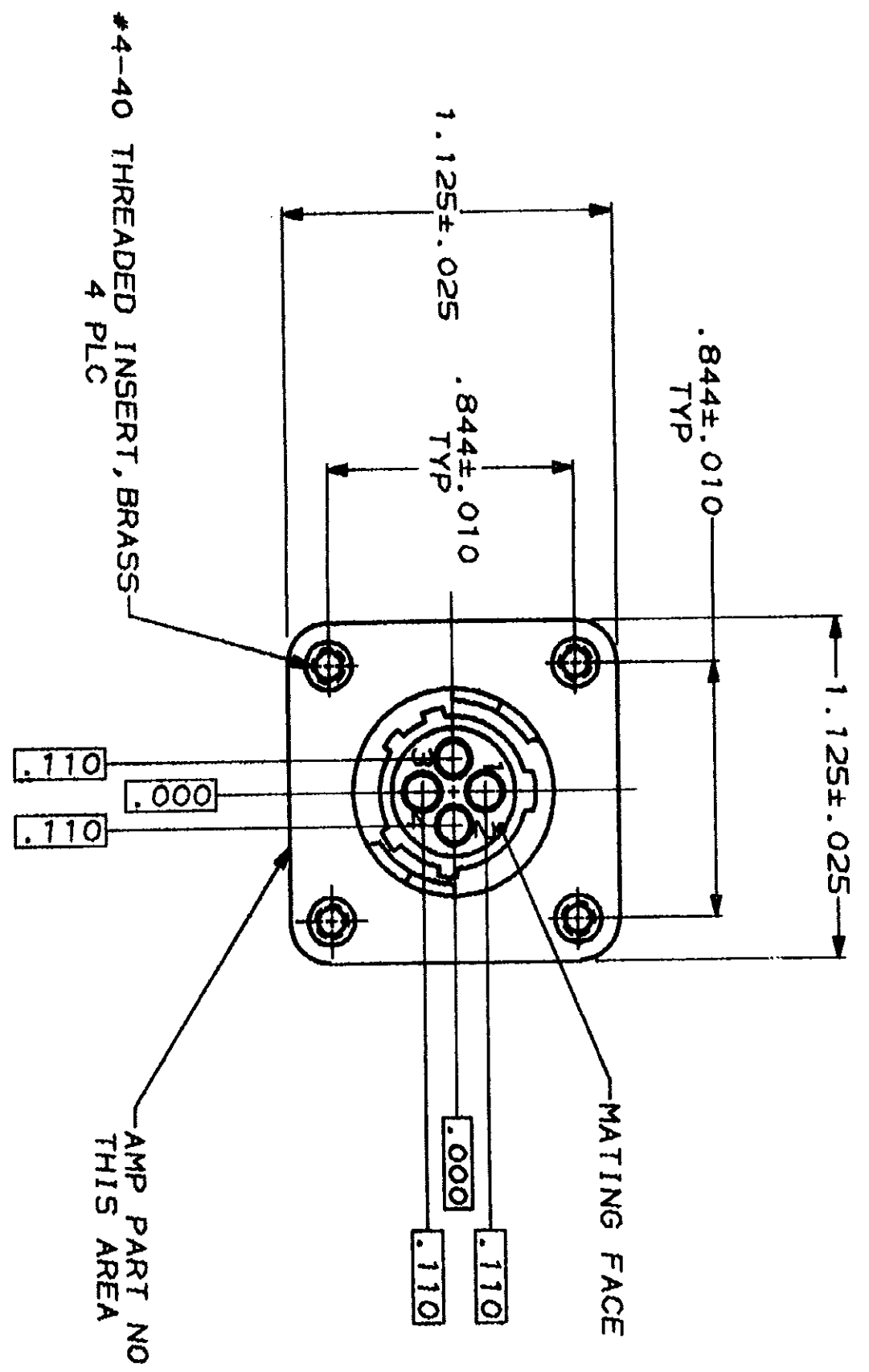


DRAWING MADE IN THIRD ANGLE PROJECTION
 THIS DRAWING IS UNPUBLISHED.
 BY AMP INCORPORATED. ALL INTERNATIONAL RIGHTS RESERVED.

REV	DATE	DESCRIPTION
23	BD 39	REDRAWN



1. CONTACT CAVITIES IDENTIFIED BY CHARACTERS ON FRONT AND REAR FACES OF CONNECTOR.
2. CONNECTOR WILL ACCEPT FOUR (4) MULTIMATE SOCKET CONTACTS.

DO NOT SCALE PRINT. UNLESS SPECIFIED DIMENSIONS IN INCHES TOLERANCES ON 1	DR B/1/30 S. RIDLEY BS	AMP AMP Incorporated Harrisburg, PA 17105-3608
2 PLC DEC ± .005 3 PLC DEC ± .005 ANGLES ± .	CHK - R. B. BUELL 5-2-91	RECEPTACLE ASSEMBLY W/THREADED INSERTS, SHELL SIZE 11, REVERSE SEX, SERIES 1, CPC
MATERIAL THERMOPLASTIC, BLACK	APPD - R. B. BUELL 5/2/91	NAME
FINISH	APPLICATION SPEC	SIZE CAGE CODE DRAWING NO
WEIGHT	SCALE 2:1	00779 211102

211102-1
PART NUMBER

211102

CUSTOMER DRAWING