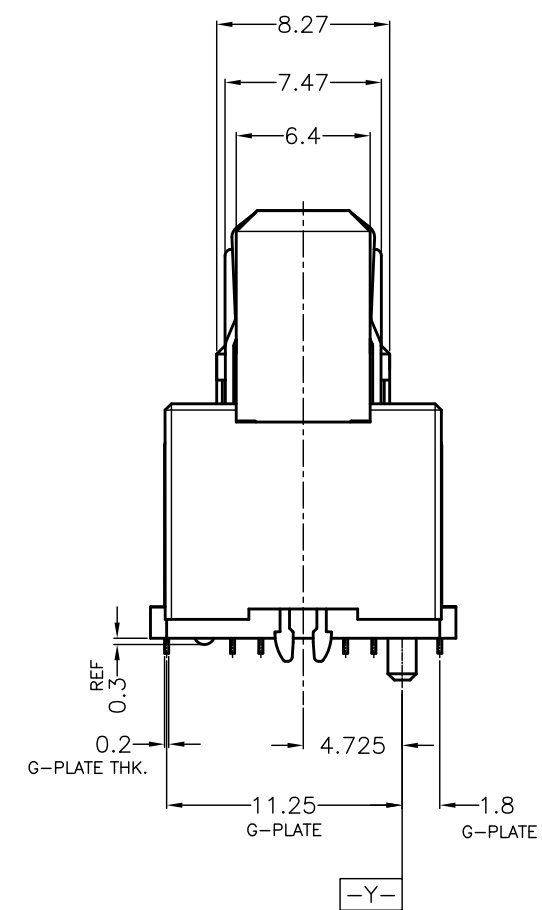
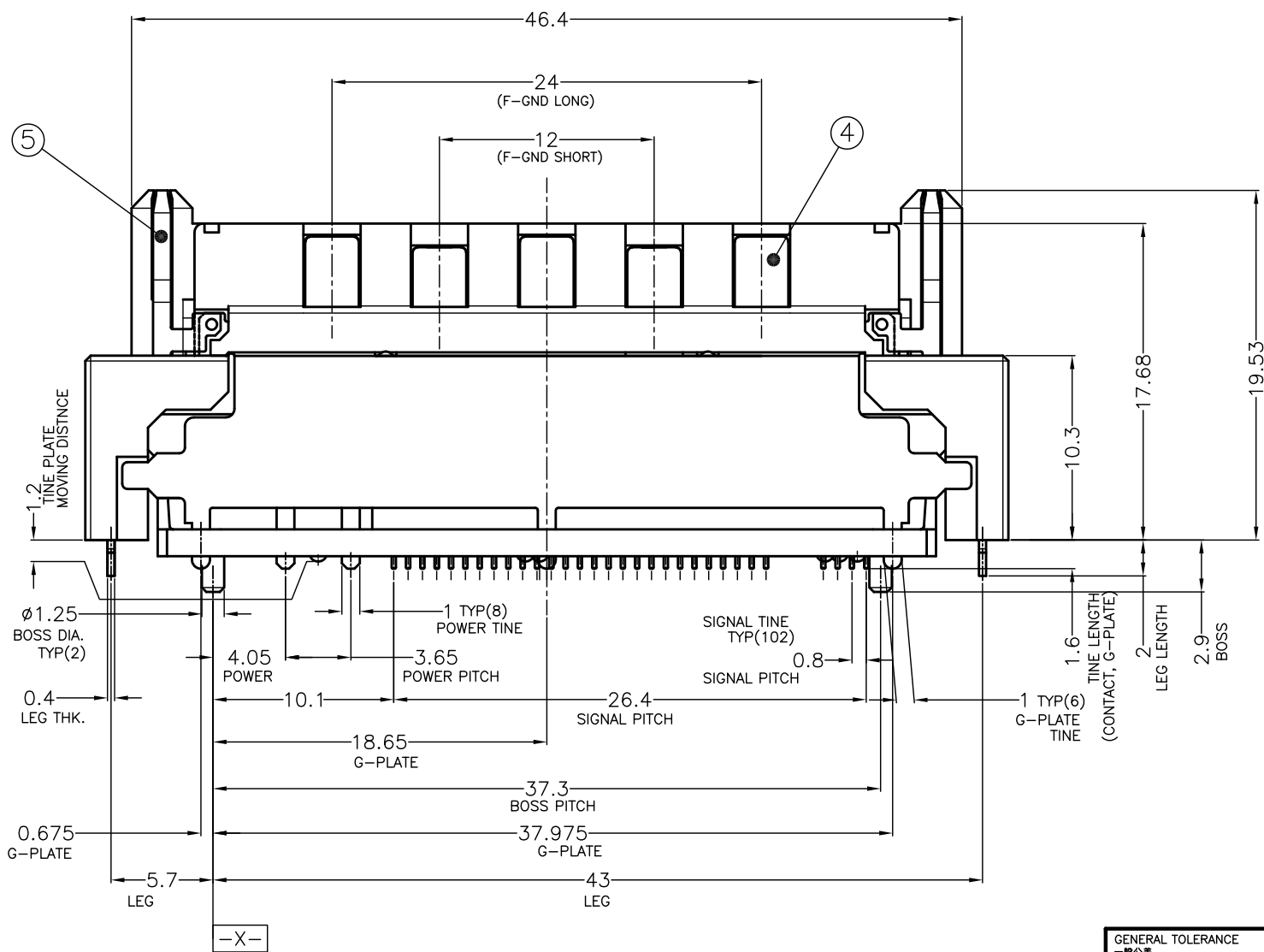
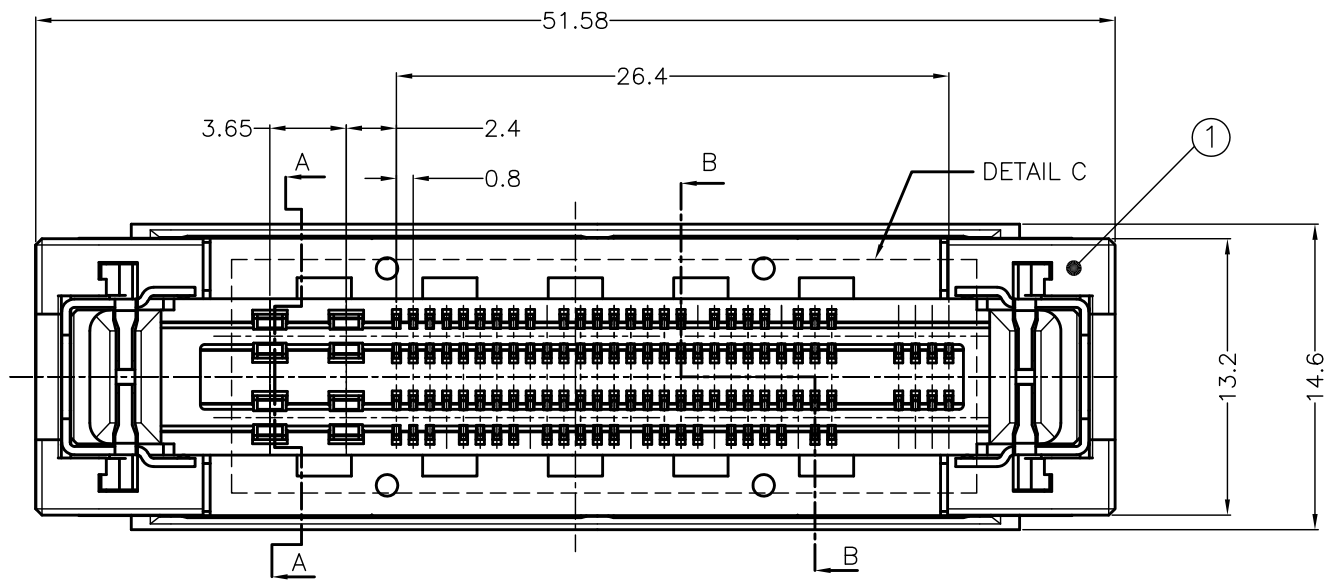


THIS DRAWING IS UNPUBLISHED.
 RELEASED FOR PUBLICATION
 ALL RIGHTS RESERVED.

LOC		DIST		REVISIONS			DATE	DWN	APVD
DW				P	LTR	DESCRIPTION			
		B1		REVISED (ECR-12-019624)			27NOV2012	B.W	H.K



THE NUMBER OF PINS
 SIGNAL 108P
 VOID 28P
 POWER 8P

1	SEMI-HARD TRAY	7
1	TINE PLATE	6
1	LEG	5
2	G-PLATE	4
8	POWER CONTACT	3
108	SIGNAL CONTACT	2
1	REC. HOUSING	1
-1	NAME	ITEM NO.

GENERAL TOLERANCE
 一般公差
 10 >= : ±0.2
 30 >= 10: ±0.25
 100 >= 30: ±0.3
 ANGLES: ±3°

THIS DRAWING IS A CONTROLLED DOCUMENT.

DIMENSIONS: 單位: 毫米 mm

TOLERANCES UNLESS OTHERWISE SPECIFIED: 一般公差

0 PLC ±
 1 PLC ±
 2 PLC ±
 3 PLC ±
 4 PLC ±
 ANGLES ±

MATERIAL 材料

FINISH 位上

DWN M.CHAO 25OCT07
 CHK K.KOBAYASHI 25OCT07
 APVD H.KODAMA 25OCT07
 PRODUCT SPEC 108-99013
 APPLICATION SPEC 取付通用規格

WEIGHT

CUSTOMER DRAWING

TE Connectivity

0.8 DOCKING CONNECTOR
 REC. 136P+POWER 8P

SIZE A2 CAGE CODE 00779 DRAWING NO. 2023001 RESTRICTED TO

SCALE 4:1 SHEET 1 of 6 REV B1

4

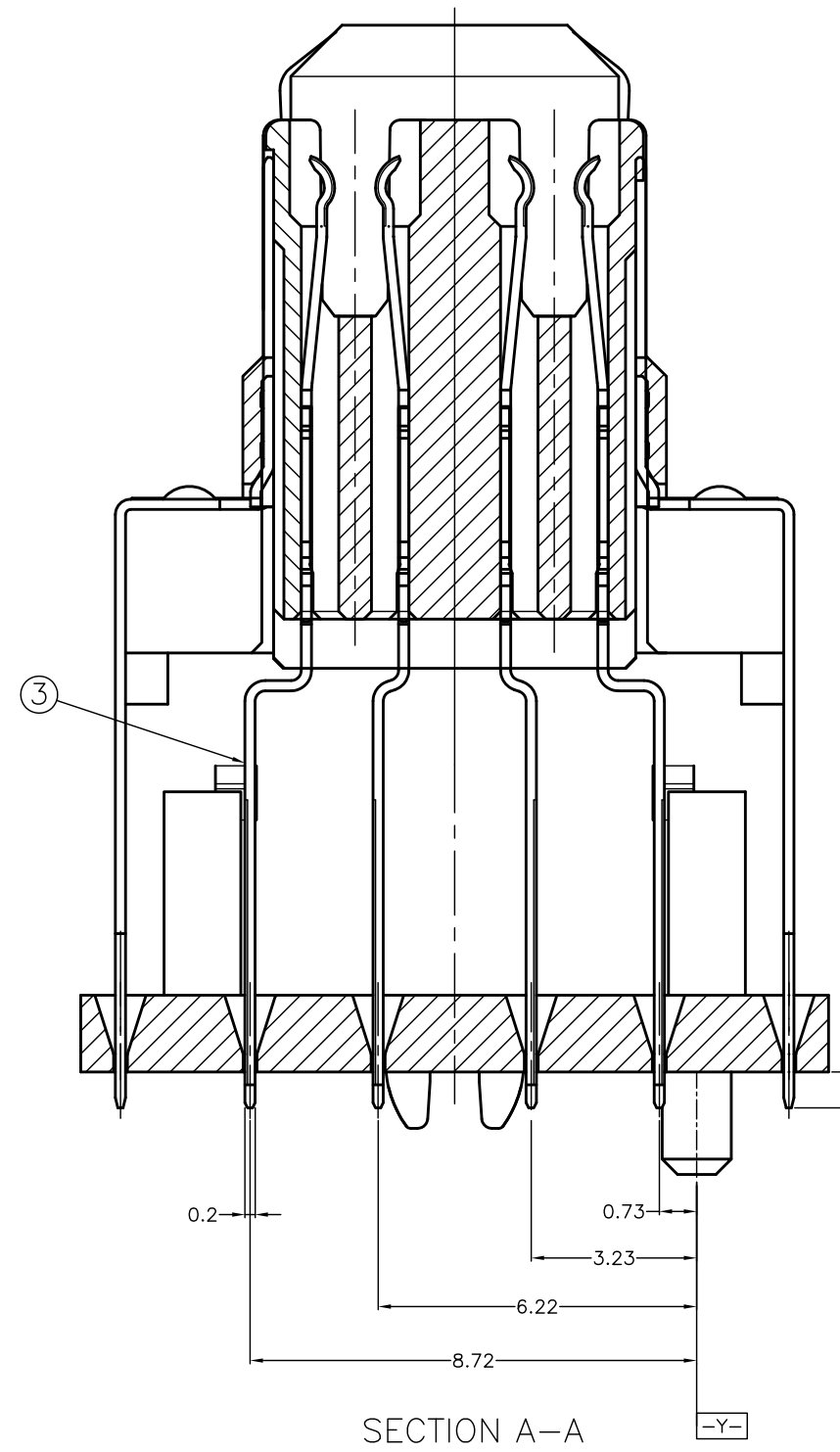
3

2

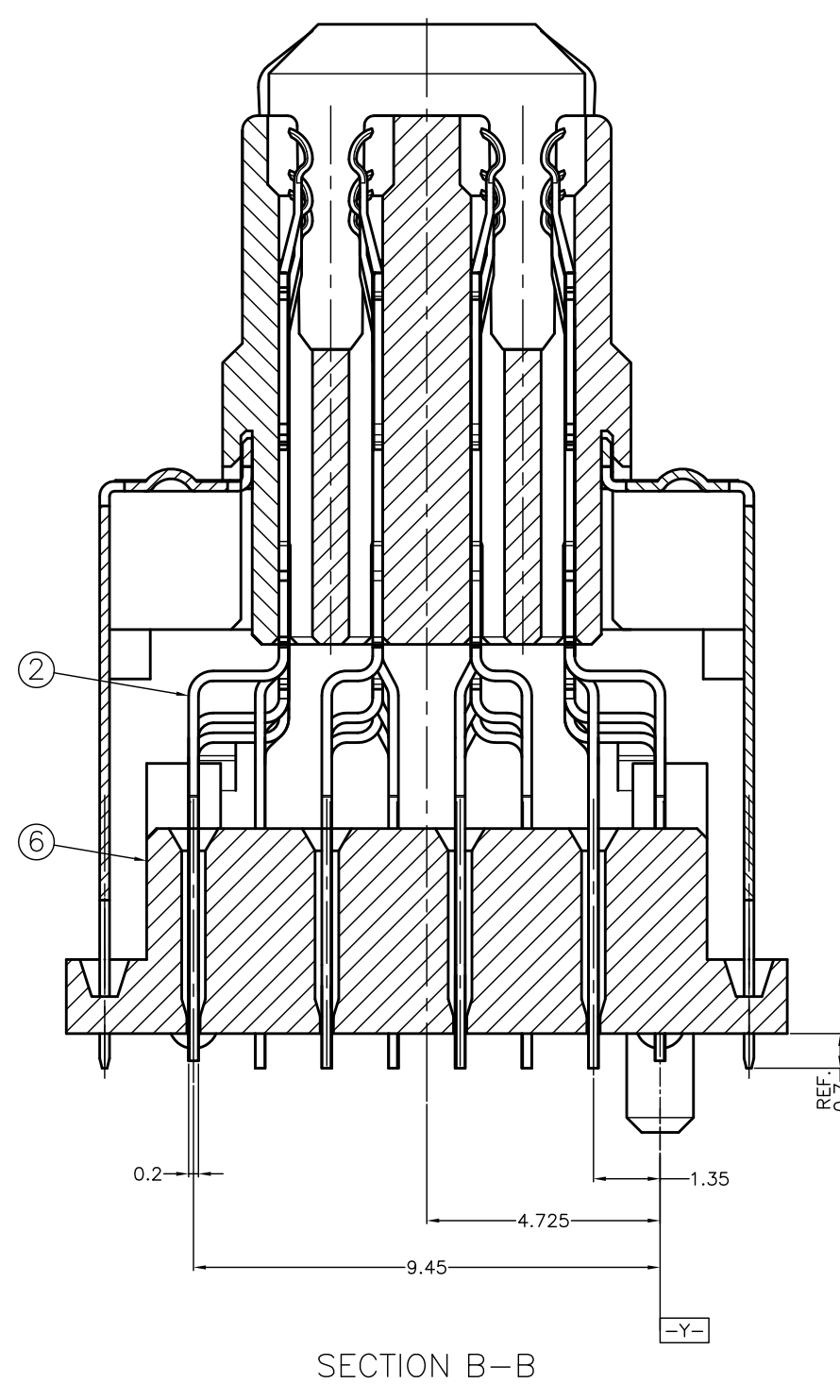
1

THIS DRAWING IS UNPUBLISHED. RELEASED FOR PUBLICATION
 © COPYRIGHT - By - ALL RIGHTS RESERVED.

LOC	DIST	REVISIONS				
DW		P	LTR	DATE	DWN	APVD
		-	-	SEE SHEET 1	-	-



SECTION A-A



SECTION B-B

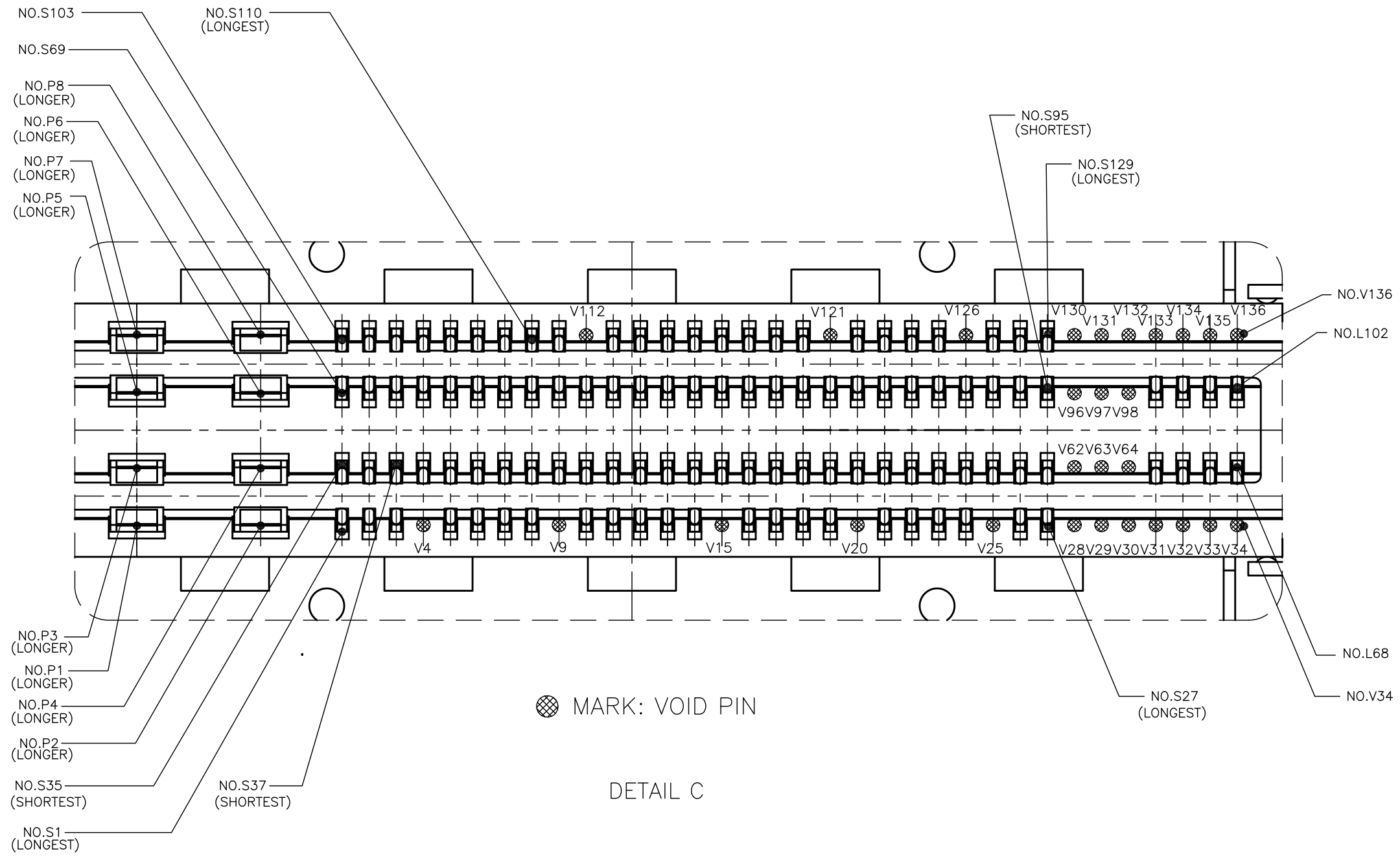
- △ MATERIAL
 - HOUSING : HIGH TEMP THERMOPLASTIC, UL94V-0, BLACK
 - TINE PLATE : HIGH TEMP THERMOPLASTIC, UL94V-0, BLACK
 - SIGNAL CONTACT: COPPER ALLOY
 - POWER CONTACT: COPPER ALLOY
 - GROUND PLATE : COPPER ALLOY
 - ESD CONTACT : COPPER ALLOY
- △ FINISH
 - SIGNAL CONTACT & POWER CONTACT:
 - Au PL. 0.3μm MIN. ON CONTACT AREA
 - Sn PL. 2μm~5μm ON SOLDER AREA
 - Ni UNDER PL. 2μm MIN. ALL OVER
 - GROUND PLATE:
 - Ni P.L 0.2~0.7μm OVER, PRE-TIN 1μm-2μm (REFLOW)
 - ESD CONTACT : Ni UNDER PL. 1μm MIN , Sn PL. 2μm MIN
- 3 APPLICABLE THICKNESS OF P.C.BOARD: 1.2±0.1mm
- 4 CONNECTOR TO BE MATED: 2023000-1(STACKING HEIGHT 22.6mm)

THIS DRAWING IS A CONTROLLED DOCUMENT.		DWN	TE TE Connectivity	
DIMENSIONS: 單位: 毫米 mm		CHK		
TOLERANCES UNLESS OTHERWISE SPECIFIED. 一般公差		APVD	NAME 名稱	
0 PLC ±		PRODUCT SPEC 製品規格	0.8 DOCKING CONNECTOR	
1 PLC ±		APPLICATION SPEC 取付適用規格	REC. 136P+POWER 8P	
2 PLC ±		SIZE	CAGE CODE	DRAWING NO
3 PLC ±		A2	00779	2023001
4 PLC ±		WEIGHT	RESTRICTED TO	
ANGLES ±		-	CUSTOMER DRAWING	
FINISH 位上		SCALE 尺度 10:1	SHEET 2 of 6	REV B1

2023001

THIS DRAWING IS UNPUBLISHED. RELEASED FOR PUBLICATION
 © COPYRIGHT - By - ALL RIGHTS RESERVED.

LOC		DIST		REVISIONS			DATE	DWN	APVD
DW				P	LTR	DESCRIPTION			
				-	-	SEE SHEET 1	-	-	-



⊗ MARK: VOID PIN

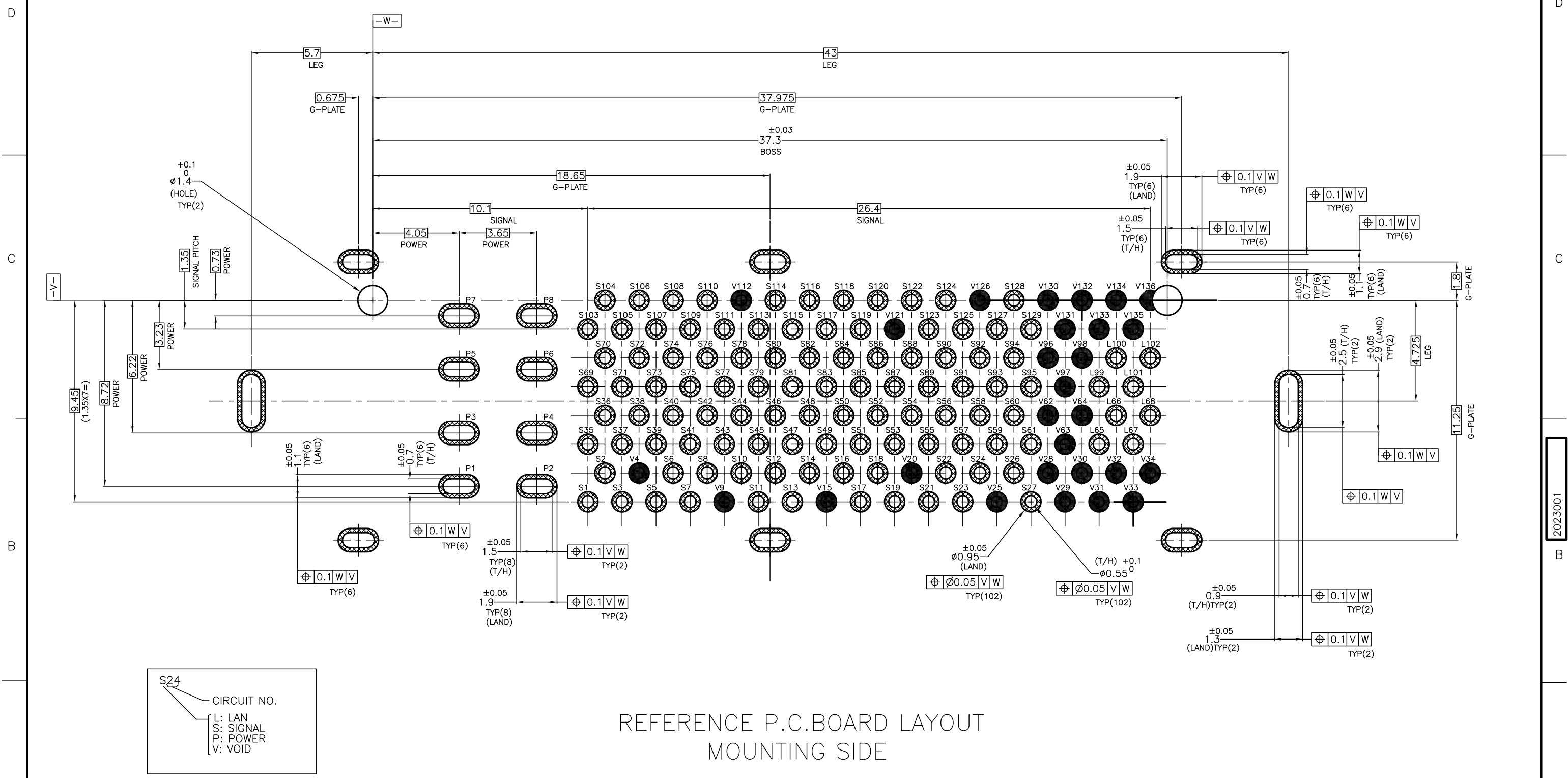
DETAIL C

2023001

THIS DRAWING IS A CONTROLLED DOCUMENT.		DWN		STE TE Connectivity	
DIMENSIONS: 單位: 毫米 mm		CHK			
TOLERANCES UNLESS OTHERWISE SPECIFIED: 一般公差		APVD		NAME 名稱	
0 PLC ±		PRODUCT SPEC 製品規格		0.8 DOCKING CONNECTOR	
1 PLC ±		APPLICATION SPEC 取付適用規格		REC. 136P+POWER 8P	
2 PLC ±		WEIGHT		SIZE CAGE CODE DRAWING NO. 圖號	
3 PLC ±		CUSTOMER DRAWING		A2 00779 2023001	
4 PLC ±		SCALE 尺度 10:1		RESTRICTED TO	
ANGLES ±		SHEET 3 of 6		REV B1	
FINISH 位上					

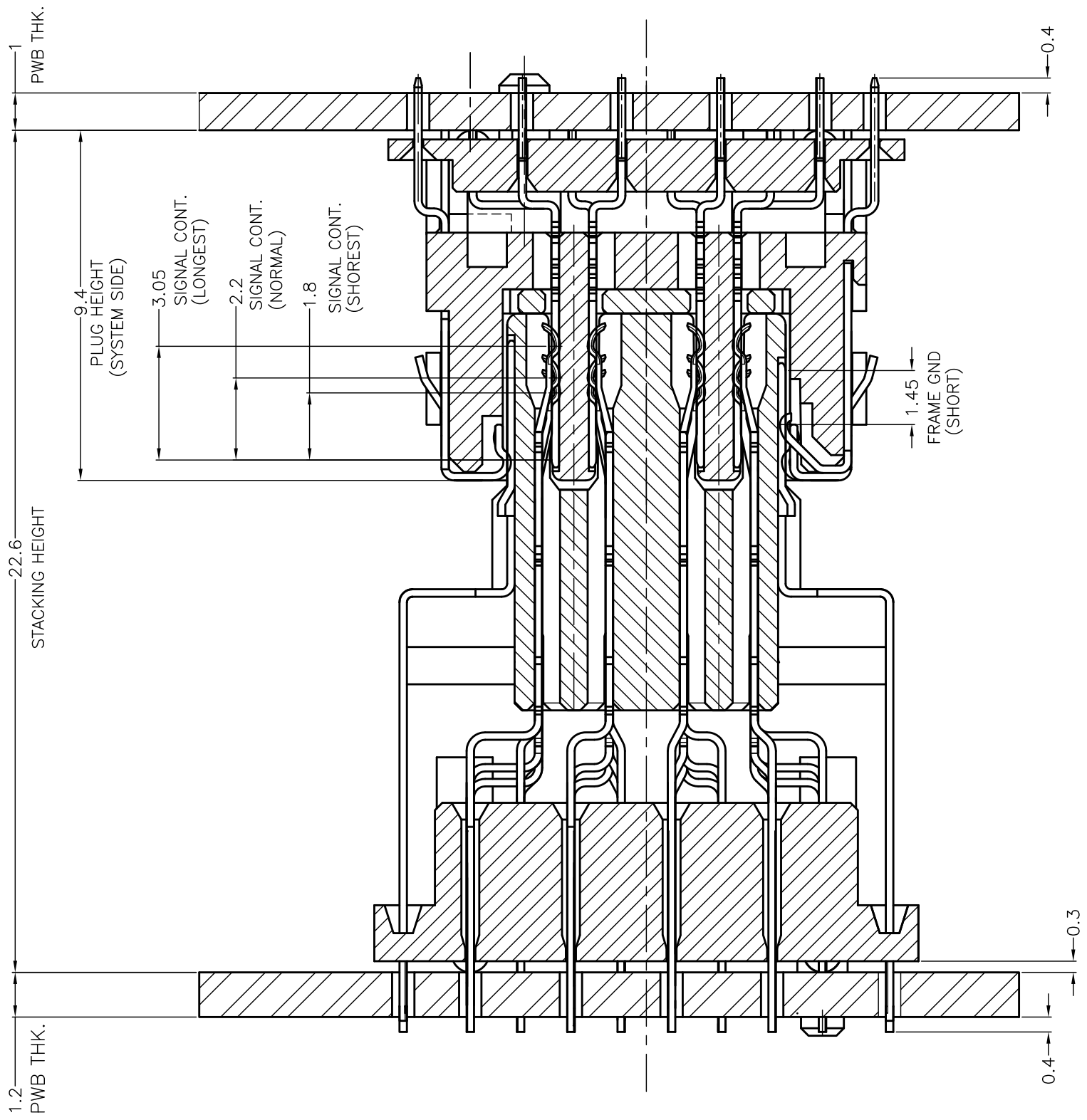
THIS DRAWING IS UNPUBLISHED. RELEASED FOR PUBLICATION
 © COPYRIGHT - By - ALL RIGHTS RESERVED.

LOC	DIST	REVISIONS					
DW		P	LTR	DESCRIPTION	DATE	DWN	APVD
		-	-	SEE SHEET 1	-	-	-

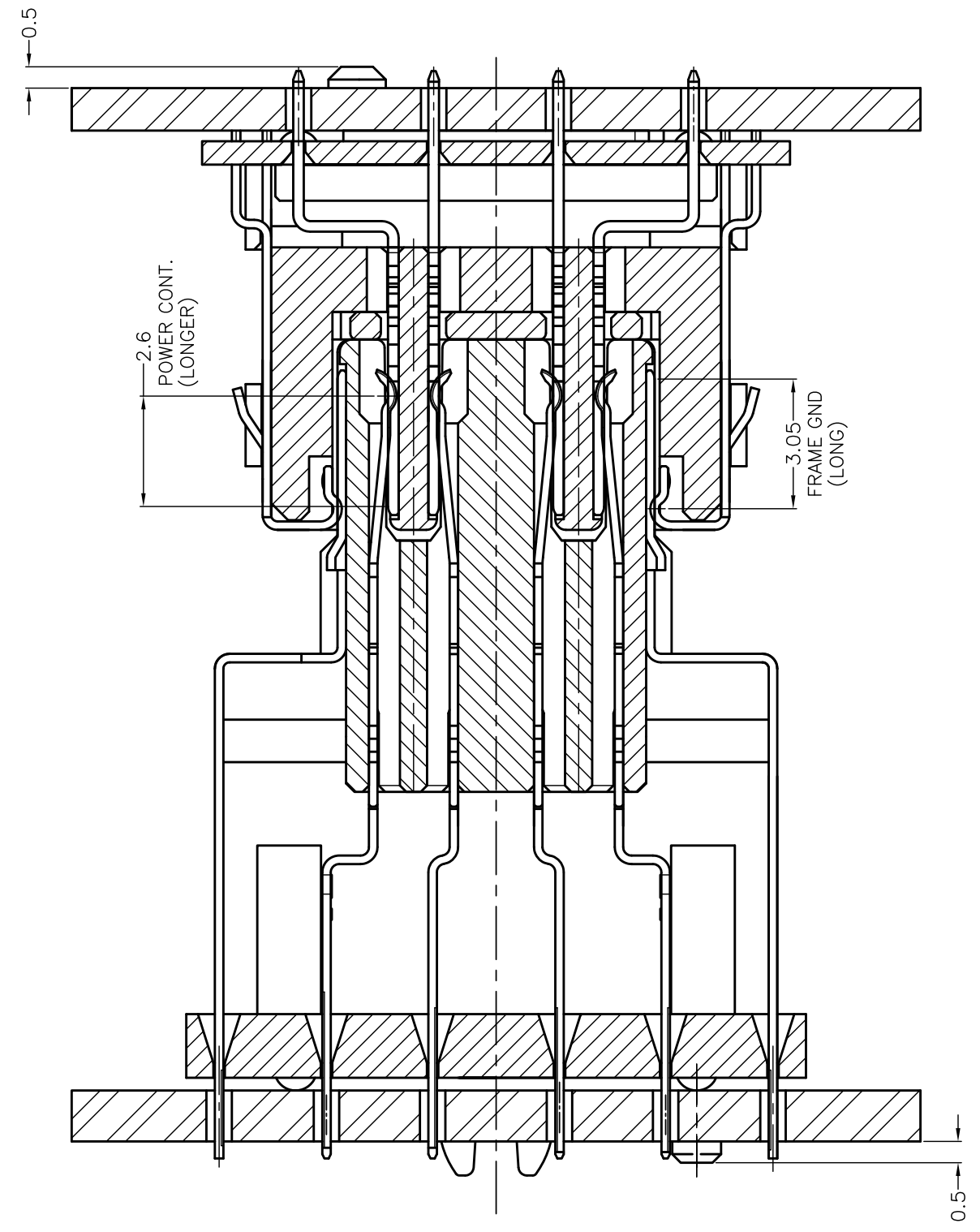


S24
 CIRCUIT NO.
 L: LAN
 S: SIGNAL
 P: POWER
 V: VOID

THIS DRAWING IS A CONTROLLED DOCUMENT.		DWN		
DIMENSIONS: 單位: 毫米 mm		CHK		
TOLERANCES UNLESS OTHERWISE SPECIFIED. 一般公差		APVD	NAME 名稱	
0 PLC ±		PRODUCT SPEC 製品規格		0.8 DOCKING CONNECTOR
1 PLC ±		APPLICATION SPEC 取付適用規格		REC. 136P+POWER 8P
2 PLC ±		SIZE	CAGE CODE	DRAWING NO
3 PLC ±		A2	00779	2023001
4 PLC ±		WEIGHT		RESTRICTED TO
ANGLES ±		CUSTOMER DRAWING		SCALE 尺度 8:1
FINISH 位上		SHEET 4 of 6		REV B1



SECTION OF SIGNAL CONT.



SECTION OF POWER CONT.

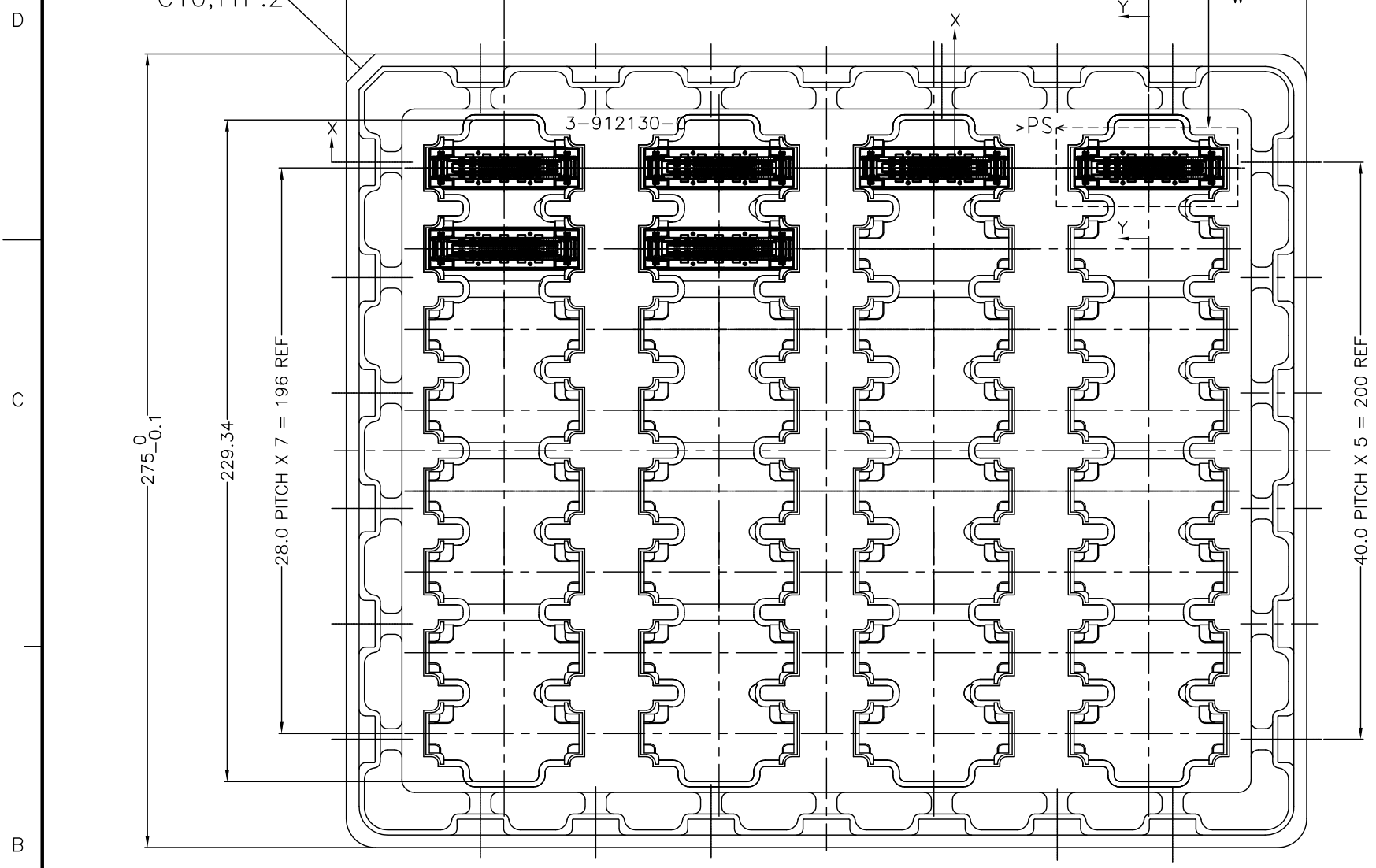
DIMENSIONS ARE REFERENCE ONLY.

THIS DRAWING IS A CONTROLLED DOCUMENT.		DWN	STE TE Connectivity	
DIMENSIONS: 單位: 毫米 mm		CHK		
TOLERANCES UNLESS OTHERWISE SPECIFIED 一般公差		APVD	NAME 名稱	
0 PLC ±		PRODUCT SPEC 製品規格	0.8 DOCKING CONNECTOR	
1 PLC ±		APPLICATION SPEC 取付適用規格	REC. 136P+POWER 8P	
2 PLC ±		WEIGHT -	SIZE A2	CAGE CODE 00779
3 PLC ±		CUSTOMER DRAWING	DRAWING NO. 2023001	RESTRICTED TO
4 PLC ±			SCALE 尺度 10:1	SHEET 5 of 6
ANGLES ±			REV B1	
FINISH 位上				

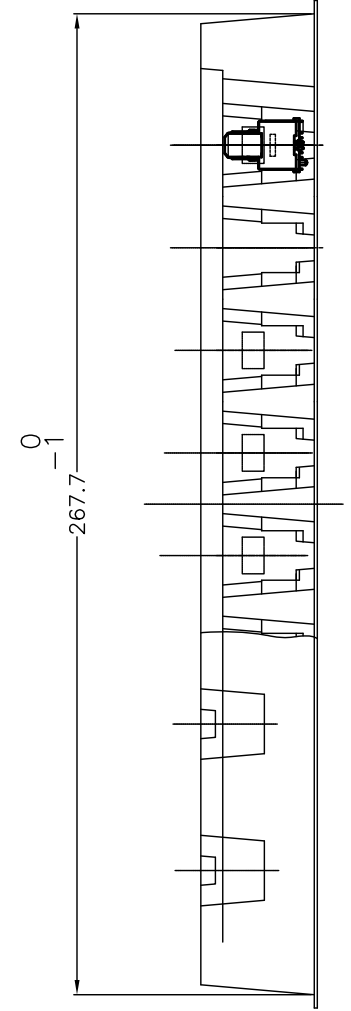
THIS DRAWING IS UNPUBLISHED. RELEASED FOR PUBLICATION
 © COPYRIGHT - By - ALL RIGHTS RESERVED.

LOC	DIST	REVISIONS			DATE	DWN	APVD
DW		P	LTR	DESCRIPTION			
		-	-	SEE SHEET 1	-	-	-

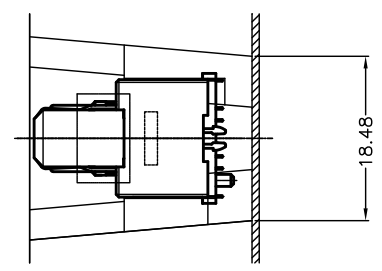
2023001-1:AS SHOWN



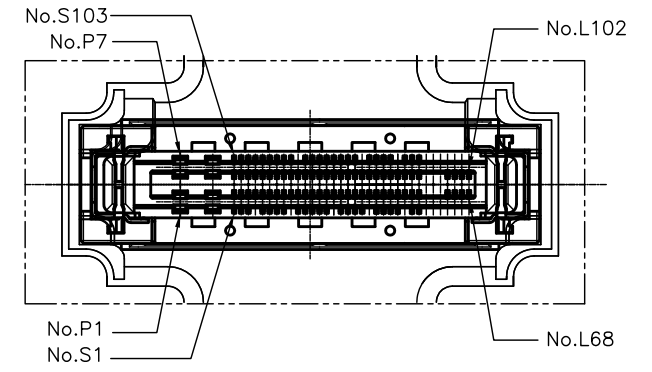
QUANTITY : 32EA/TRAY



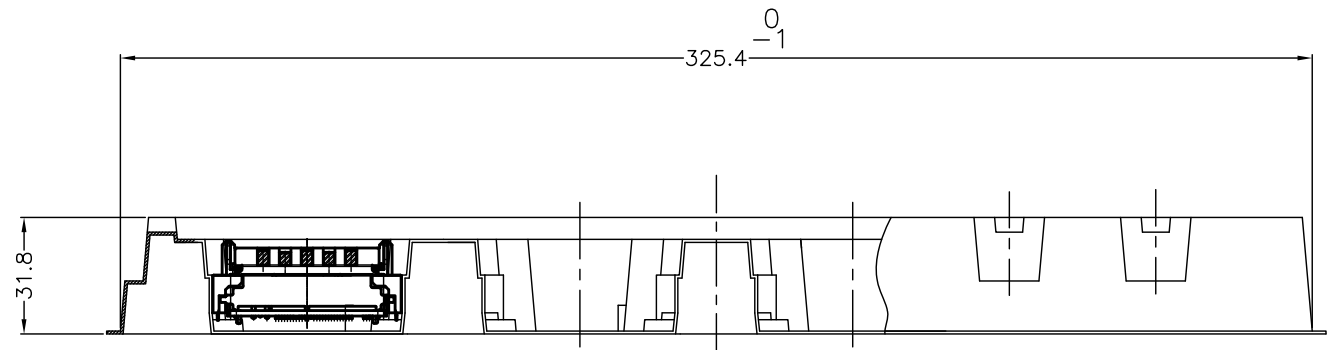
SECTION Y-Y



SECTION Y-Y



DETAIL W



SECTION X-X

THIS DRAWING IS A CONTROLLED DOCUMENT.		DWN	STE TE Connectivity	
DIMENSIONS: 單位: 毫米 mm		CHK		
TOLERANCES UNLESS OTHERWISE SPECIFIED 一般公差		APVD	NAME 名稱	
0 PLC ±	1 PLC ±	PRODUCT SPEC 製品規格	0.8 DOCKING CONNECTOR REC. 136P+POWER 8P	
2 PLC ±	3 PLC ±	APPLICATION SPEC 取付適用規格	SIZE A2	CAGE CODE 00779
4 PLC ±	ANGLES ±	WEIGHT	DRAWING NO. 2023001	RESTRICTED TO
MATERIAL 材料	FINISH 位上	CUSTOMER DRAWING	SCALE 尺度 NTS	SHEET 6 of 6