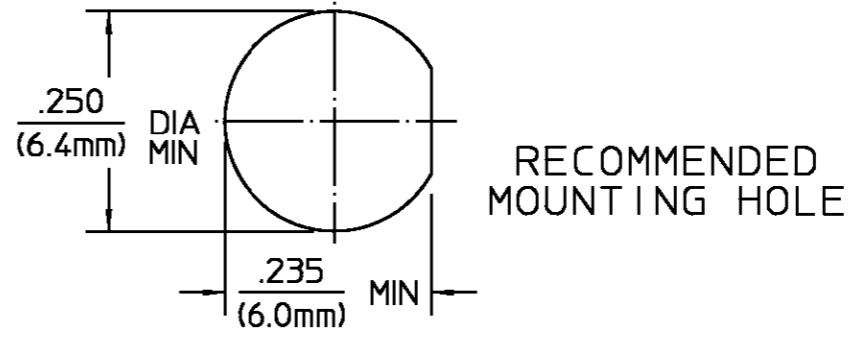


DESIGNED FOR USE WITH RG-142/U (DOUBLE BRAID CABLE)	
CABLE ENTRY DIAMETER MINIMUM	
FERRULE	.216
HOUSING	.121
CONTACT	.042

REVISIONS			
REV	DESCRIPTION	DATE	APPROVED
01	RELEASED	12/15/92	<i>D. Comello</i>



ELECTRICAL	MECHANICAL	ENVIRONMENTAL
Nominal Impedance (Ohms) <u>50</u>	Interface Dimensions MIL-STD-348A, Fig. <u>310.2</u>	Temperature Rating <u>-65°C to +165°C</u>
Frequency Range (GHz) DC to <u>12.4</u>	Recommended Mating Torque <u>N/A</u>	Vibration MIL-STD-202, Method 204, Condition D
Volt Rating (VRMS MAX) @ Sea Level <u>375</u>	Mating Characteristics: Insertion (MAX lbs) <u>3.0</u>	Shock MIL-STD-202, Method 213, Condition I
VSWR <u>1.30 : 1</u>	Withdrawal (MIN oz) <u>1.0</u>	Thermal Shock MIL-STD-202, Method 107, Condition B, Except High Temp shall be +85°C
Insertion Loss (dB MAX) $.06\sqrt{f(\text{GHz})}$	Force to Engage and Disengage (in-lbs MAX) <u>2.0</u>	Moisture Resistance MIL-STD-202, Method 106
RF Leakage (dB MIN) <u>-[60-f(GHz)]</u>	Center Contact Captivation Axial (lbs) <u>6.0</u>	Corrosion - MIL-STD-202, Method 101, Condition B, 5% salt spray
Corona, 70,000 Ft (VRMS MIN) <u>250</u>	Radial (in-oz) <u>N/A</u>	
Dielectric Withstanding Voltage (VRMS MIN) @ Sea Level <u>1,000</u>	Cable Retention Axial Force (lbs MIN) <u>45.0</u>	
Contact Resistance (Milliohms MAX) Center Contact <u>2.0</u>	Torque (in-oz MIN) <u>N/A</u>	
Outer Contact <u>2.0</u>	Weight (Grams) <u>TBD</u>	
Cable to Housing <u>0.5</u>		
RF High Potential @ Sea Level (VRMS MIN @ 5 MHz) <u>670</u>		
I.R.(Megohms MIN) <u>10,000</u>		

COMPONENT	MATERIAL	FINISH
HOUSING MOUNTING NUT LOCKWASHER	STAINLESS STEEL PER ASTM-A484 AND ASTM-A582, TYPE 303	PASSIVATE PER ASTM-A380
DIELECTRIC	TFE FLUOROCARBON PER ASTM-D-1457	N/A
CENTER CONTACT	BERYLLIUM COPPER PER ASTM B 196, ALLOY C17300, CONDITION H	GOLD PLATE PER MIL-G-45204 OVER NICKEL PLATE PER QQ-N-290
FERRULE	COPPER OR BRASS ALLOY ROCKWELL F65 MAXIMUM	NICKEL PLATE PER QQ-N-290 OVER COPPER PLATE PER MIL-C-14550

UNLESS OTHERWISE SPECIFIED DIMENSIONS ARE IN INCHES TOLERANCE ON FRAC. DEC. ANGLES $\pm 1/64$ $\pm .005$ $\pm 1^\circ$	DRAWN BY <i>A. Davis</i> DATE 11/16/92	AMP Incorporated 140 Fourth Avenue Waltham, MA 02451-7599
	CHECKED BY <i>D. Comello</i> DATE 12/15/92	
These drawings and specifications are the property of Omni Spectra Incorporated and shall not be reproduced or copied or used in whole or in part as the basis for the manufacture or sale of items without written permission.	USE ASS'Y PROCEDURE 408-04661 NO. AP. (28-001)	TITLE OSM LOW COST BULKHEAD CABLE JACK CRIMP ATTACHMENT
	SIZE B	CODE IDENT NO. 26805
SCALE 4 : 1	2834-7341-02	REV 01
		SHEET 1 OF 1