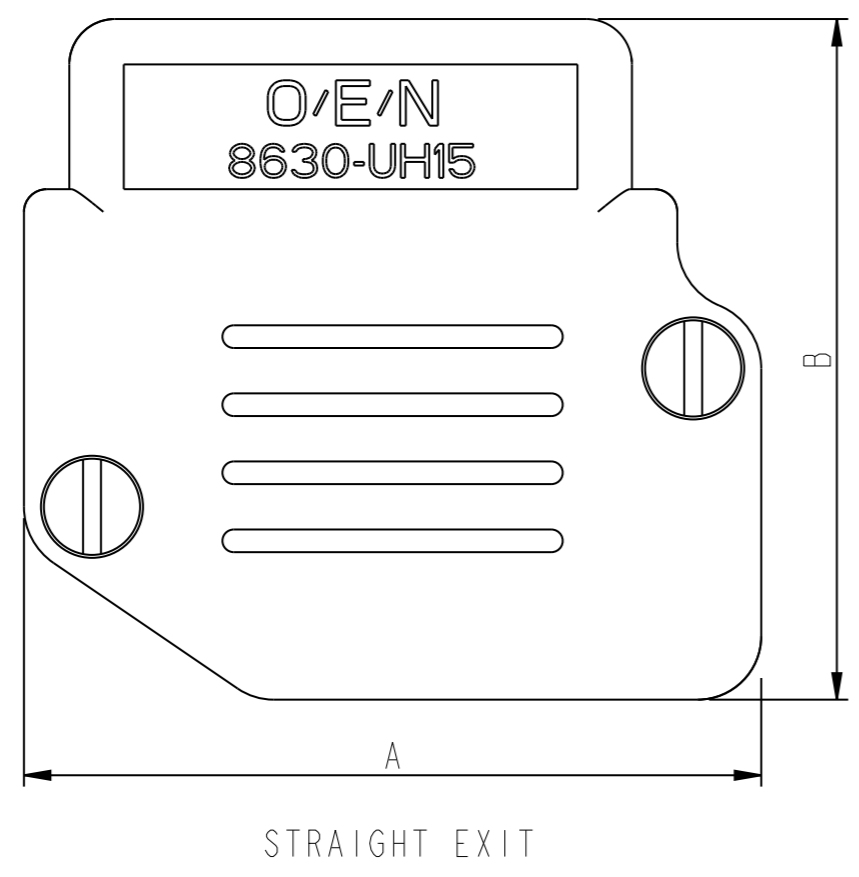


Tous droits strictement reserves. Reproduction ou communication a des tiers interdite sous quelque forme que ce soit sans autorisation ecrite du proprietaire. Propriete de c FCI. Droits de reproduction FCI.

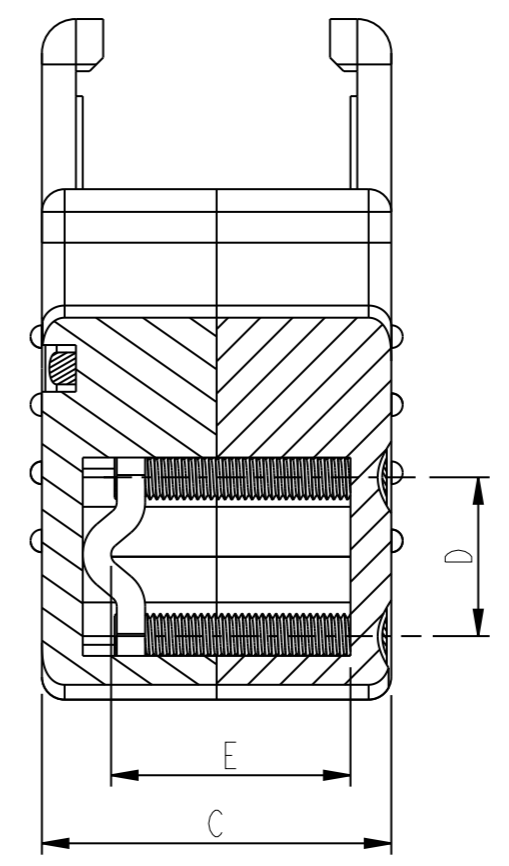
FCI

All rights strictly reserved. Reproduction or issue to third parties in any form whatever is not permitted without written authority from the proprietor. Property of FCI. Copyright FCI.

Shell Size	Part No.	DIMENSIONS					
		A	B	C	D	E Max	E Min
9	8630UH09	24.0	30.0	16.0	7.0	10.5	2.0
15	8630UH15	32.5	30.0	16.0	7.0	10.5	2.0
25	8630UH25	46.0	46.0	16.0	14.5	10.0	4.0
37	8630UH37	58.6	47.0	16.0	16.0	10.2	2.5
50	8630UH50	56.5	48.5	18.2	18.0	12.5	4.0



90° EXIT



For 25 Position hood, External cable clamp is used
Ref Drw. No. C-DSUB-0063

rev	ecn no	dr	date
A	109-0043	AMR	2009-03-18
-	-	-	-
-	-	-	-
-	-	-	-
-	-	-	-
-	-	-	-

www.fciconnect.com		surface - ISO 1302	tolerance std ISO 406 ISO 1101	projection	mm
TOLERANCES UNLESS OTHERWISE SPECIFIED					
Dr	ABHILASH M.R	2009-03-17	ANGULAR	LINEAR	size A3
Eng	ABHILASH M.R	2009-03-17			
Chr	ABHILASH M.R	2009-03-17	0° ±2°	0.XX	±0.1
Appr	ABHILASH M.R	2009-03-17	Product family		ECN 109-0043
				Spec ref -	
			title UNIVERSAL HOOD		dwg no C-DSUB-0177
			D-SUB		
			catalog no -		Rev. A
				CUSTOMER	sheet 1 of 1